

SKYLINE BOTTOM UP

The Rollease Acmeda Skyline Bottom Up is an innovative system, perfect for ground floor home or office applications where privacy and light harvesting are required. Bottom Up shades let the light in from the top of the window while shading the bottom section for privacy. Utilising Skyline hardware combined with an innovative cord adjusting system to ensure a self-levelling hem bar, it is an effortless upgrade to a traditional Skyline roller shade.

AESTHETICAL FEATURES

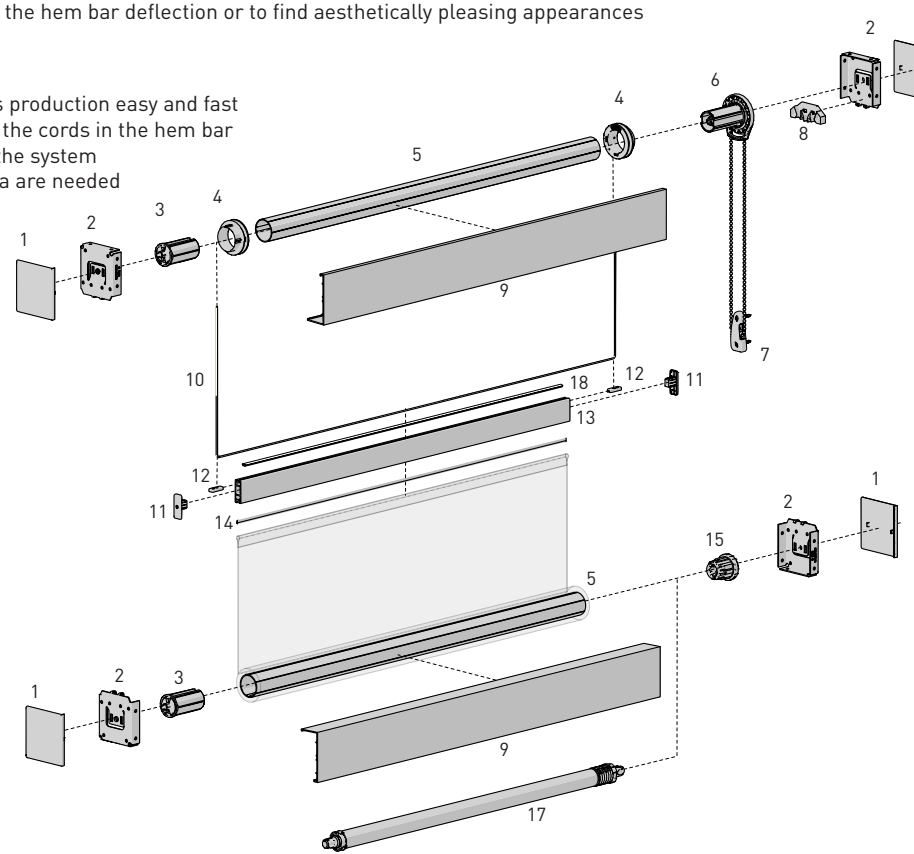
- 3" Fascia provides a slim square look
- The location of the cords can be adjusted to minimize the hem bar deflection or to find aesthetically pleasing appearances

PRODUCTION & ASSEMBLY FEATURES

- The design of the cord guides and the hem bar makes production easy and fast
- The cord guides make it easy to adjust the location of the cords in the hem bar
- The self-leveling hem bar ensures easy mounting of the system
- Only a few new parts for the standard 3" Skyline fascia are needed

FUNCTIONAL BENEFITS

- The geared clutch makes operating the shade effortless
- Easy to update from a clutch control to the motorized control
- Innovative cord adjusting system that ensures a self-levelling hem bar



SYSTEM INDEX

1	3" SKYLINE SQUARE END CAP SLSECxx
2	3" SKYLINE SQUARE FASCIA SLSFx16
3	SKYLINE HEAVY DUTY PIN END - 1.5" SLPEHD53xx
4	TUBE SPOOL - 1.5" CS4US
5	1-1/2" TUBE RTEA4T16
6	G200 GALAXY SKYLINE GEARED CLUTCH - 1.5" RGALHxx
7	CHAINHOLD CHAIN TENSIONING DEVICE RB91-1336-xxx000 - Cover RB91-1337-xxx000 - Base Assembly
8	SKYLINE CHAIN DIVERTER SLCDxx
9	SKYLINE SQUARE FASCIA - 3" SLSFx16
10	BRAIDED CORD 1.4MM V2LC14100
11	BOTTOM UP RAIL END CAP RB91-2139-xxx000
12	BOTTOM UP CORD GUIDE KIT RB91-2239-050001
13	BOTTOM UP RAIL RB91-1239-xxx490
14	FLAT SPLINE - 9.0MM RB92-0903-001075
15	ESU SPRING CONTROL - 1.5" RB12-3241-069038
17	BOOSTER UNIVERSAL - 1.5" - NO STOP RB12-3820-269138 - SHORT RB12-3821-069138 - LIGHT RB12-3822-338138 - STANDARD
18	BOTTOM UP RAIL SEAL SB91-0007-001100

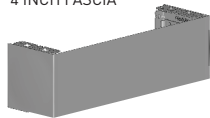
xxx = COLOUR, LLL = LENGTH

SYSTEM OPTIONS

G200 SKYLINE SPRING ASSIST



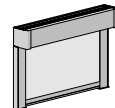
4 INCH FASCIA



SKYLINE LX BRACKET



CF90 EDGE LIGHT BLOCK



CONTROL OPTIONS

CHAIN CONTROL



MOTORIZED

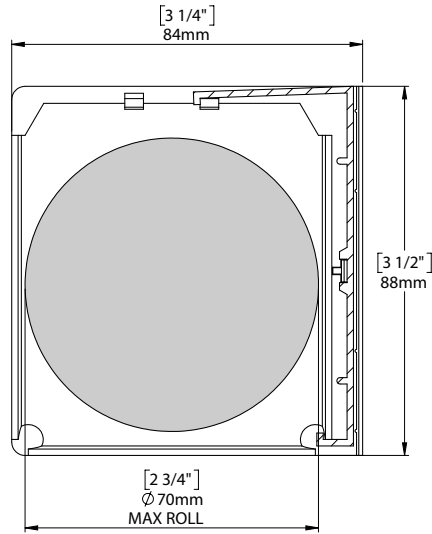


COLOUR RANGE

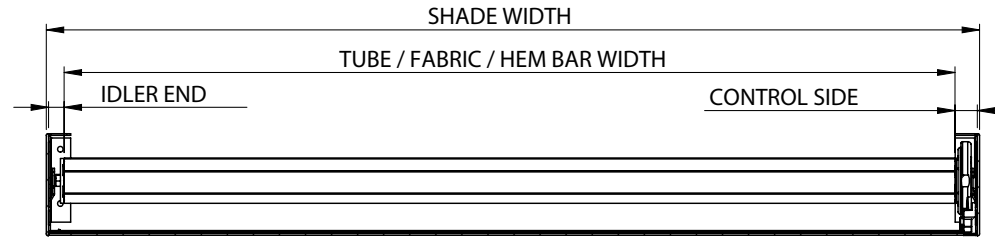


SPECIFICATIONS

MAX ROLL



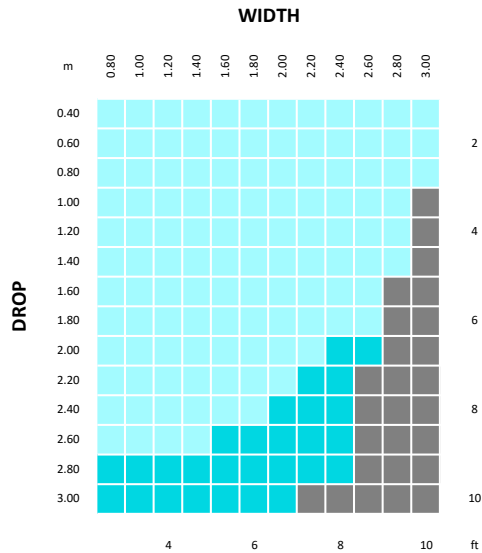
DEDUCTION



BRACKETS	PIN END	CONTROL SIDE	TOTAL DEDUCTION
With Bracket Covers	16mm [5/8"]	21mm [13/16"]	37mm [1 7/16"]
Without Bracket Covers	14mm [9/16"]	19mm [3/4"]	33mm [1 5/16"]

Note: Deductions apply to 3" and 4" Brackets

SYSTEM CAPACITY



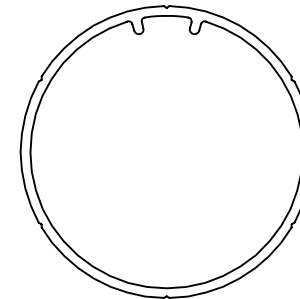
Minimum Blind Width: 670mm / 26.4inches
 G200 36" Spring Assist: 1500mm / 43.3inches
 AUTOMATE | Li-ion Q2.0Nm: 770mm / 30.3inches

LEGEND	DESCRIPTION
[Light Blue]	G200 CHAIN CONTROL*
[Dark Blue]	AUTOMATE LI-ION Q2.0Nm
[Grey]	CANNOT BE ACHIEVED OUTSIDE PRODUCT SPECIFICATIONS

*Some blind sizes require a Spring Assist

Parameters:
 Fabric Density: 420gsm / 12.4oz/yd²
 Fabric Thickness: 0.5mm / 0.02inches
 Weight Bar: Bottom Up Rail

TUBE SPECS



1-1/2" Tube
 With tape

CODE: RTEA4UTXX
 OD: 38mm [1 1/2"]
 Length: 4.8m [16ft]