

Skyline 1.1Nm | 25mm

The motorized 25mm 1.1Nm Skyline roller shade system offers two motors for multiple tube diameters to suit a variety of applications. Featuring ARC (Automate Radio Communication), the motorized 25mm 1.1Nm Skyline system provides an intelligent, Li-ion battery powered solution.

AESTHETICAL FEATURES

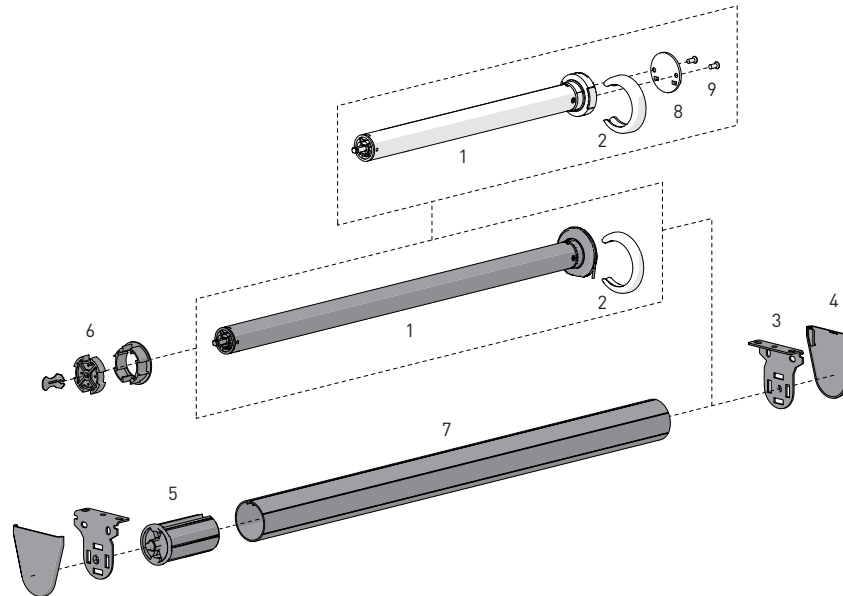
- Thinner 5V Motor Head
- Motor cap to color match with brackets

PRODUCTION & ASSEMBLY FEATURES

- Greater flexibility with installation with spring loaded pin end
- Crown, drive and adaptors available to suit multiple tube sizes
- Smaller Motor end deduction

FUNCTIONAL BENEFITS

- 5V Micro USB Charging
- Antennae Wire Retention Feature
- Levelling control
- Simple limit setting and adjustment
- Favorite position
- 3 operational speed settings
- 2-WAY RF communication
- ARC protocol for simple programming



SYSTEM INDEX

- 1 Automate Motor | 25mm
 MT01-1325-069001 - 5V Li-ion 1.1 ZERO (SHORT)
 MT01-1325-069002 - 5V Li-ion 1.1 ZERO
 MT01-1325-069012 - 5V Li-ion 1.1 ZERO (SHORT) CT20
 MT01-1325-069013 - 5V Li-ion 1.1 ZERO CT20
 MTDCBRF25-1.1 - 12V Li-ion 1.1
 MTDCBRF25-1.1CT - 12V Li-ion 1.1 CTN 15
 MTDCRF25-1.1 - 12V DCRF 1.1

- 2 Motor Cap
 MT03-0502-027001 - Chrome - Li-ion ZERO
 MT03-0502-034001 - Satin Nickel - Li-ion ZERO
 MT03-0502-043001 - Brass - Li-ion ZERO
 MT03-0502-059001 - Black - Li-ion ZERO
 MT03-0502-077001 - White - Li-ion ZERO
 MT03-0502-079001 - Antique Bronze - Li-ion ZERO
 MT03-0502-091001 - Gun Metal - Li-ion ZERO
 MTCAP-25-BK - Black - for DCRF
 MTCAP-25-W - White - for DCRF
 MTCAP-25-AB - Antique Bronze - for DCRF
 MTCAP-25-SN - Satin Nickel - for DCRF

- 3 Brackets
 SLB###x - Skyline Bracket
 SLNB###x - Skyline Narrow Bracket
 SL01-0306-xxx040 - Skyline LX Bracket - 40mm pitch
 SL01-0306-xxx055 - Skyline LX Bracket - 55mm pitch

- 4 Bracket Covers
 SLBC###x - Skyline Bracket Cover
 SLNBC###x - Skyline Narrow Bracket Cover
 RB08-4151-xxx040 - Skyline LX Bracket Cover - 40mm
 RB08-4151-xxx055 - Skyline LX Bracket Cover - 55mm

- 5 Pin End
 SLPEV03xx - 1 1/4" Tube
 SLPEHD53xx - 1 1/2" Tube

- 6 Crown & Drive Kit
 MT03-0109-069003 - 1 1/4" Tube
 MTCRDR-25-1.5 - 1 1/2" Tube

- 7 Aluminum Tube
 RTEA3T## - 1 1/4" Tube
 RTEA4T## - 1 1/2" Tube

- 8 Adaptor for DCRF Motors
 MTAD-252835-SL
 MTAD-25-28-SLV2W - for use with Cap

- 9 Screws for Adaptor
 SLAMSCREW - for MTAD-252835-SL Only

= Size | xxx = Color

CONTROL OPTIONS

REMOTES



WALL SWITCH



SMART HOME



PULSE



CHARGERS

ELECTRIC



SOLAR



OPTIONS

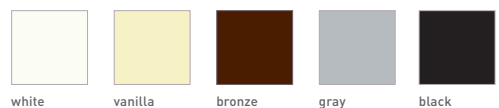
SUN SENSOR



UPGRADES

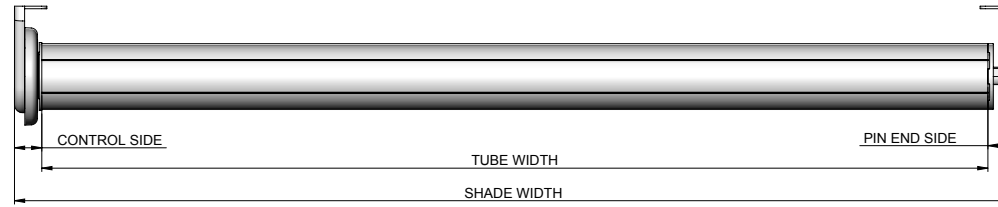
- CASSETTE 80/100/120
- FASCIA 3"/4"/5"
- LINK SYSTEM
- POCKETS 3"/4"/5"/6"

COLOR RANGE



SPECIFICATIONS

DEDUCTION CHART

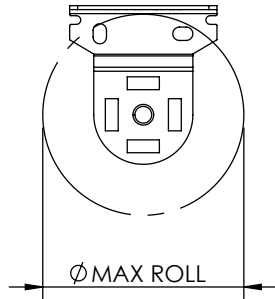


MINIMUM SHADE WIDTH		
TUBE	MOTOR	LENGTH
1 1/4"	MT01-1325-069001	1.84' [0.560m]
	MT01-1325-069002	2.08' [0.635m]
	MTDCRF25-1.1	1.26' [0.385m]
	MTDCBRF25-1.1	1.94' [0.590m]
1 1/2"	MT01-1325-069001	1.97' [0.600m]
	MT01-1325-069002	2.20' [0.670m]
	MTDCRF25-1.1	1.38' [0.420m]
	MTDCBRF25-1.1	2.05' [0.625m]

TUBE	MOTOR	BRACKETS*	DEDUCTIONS		
			CONTROL END	PIN END	TOTAL
1 1/4"	MT01-1325-069001	With Covers	0.67" [17mm]	0.55" [14mm]	1.22" [31mm]
		No Covers	0.59" [15mm]	0.51" [13mm]	1.10" [28mm]
	MTDCRF25-1.1	With Covers	0.87" [22mm]	0.55" [14mm]	1.42" [36mm]
		No Covers	0.79" [20mm]	0.51" [13mm]	1.30" [33mm]
1 1/2"	MT01-1325-069001	With Covers	0.67" [17mm]	0.59" [15mm]	1.26" [32mm]
		No Covers	0.59" [15mm]	0.55" [14mm]	1.14" [29mm]
	MTDCRF25-1.1	With Covers	0.87" [22mm]	0.59" [15mm]	1.46" [37mm]
		No Covers	0.79" [20mm]	0.55" [14mm]	1.34" [34mm]

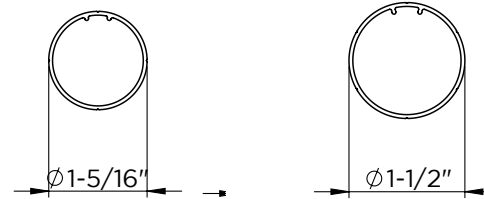
NOTES:
* DEDUCT 2MM FROM BRACKET COVERS TOTAL FOR LX SKYLINE BRACKET + COVERS VALUES.

MAX ROLL



BRACKET/SYSTEM	MAX ROLL SIZE
SLNBxx650xx	2-3/8" [59mm]
SLxx660xx	3" [76mm]
SLxx680xx	4" [102mm]
SL01-0306-xxx040	2-15/16" [74mm]
SL01-0306-xxx055	4-1/16" [103mm]

TUBE SPECS.



1 1/4" Tube
Code: RTEA3T12 (with tape)
Length 12',16' [3.66m, 4.88m]

1 1/2" Tube
Code: RTEA4T12 (with tape)
RTEA4U12
RTEA4T16 (with tape)
RTEA4U16
Length 12',16' [3.66m, 4.88m]

MOTORS	MAX LIFTING CAPACITY		MAX DROP*
	1-1/4" TUBE	1-1/2" TUBE	
1.1Nm	15.1lbs [6.8kg]	12.8lbs [5.8kg]	13.1' [4m]

* Recommended Max Drop. Exceeding this value may cause fabric tracking issues

SYSTEM CAPACITY

