



Easy Spring Ultra Skyline

ASSEMBLY MANUAL

v2.1 | August 2023 | US



CONTENTS

SECTION A TOOLS AND ADDITIONAL ITEMS REQUIRED	3
TOOLS REQUIRED	3
SECTION B SYSTEM DETAILS	3
OVERVIEW.....	3
SYSTEM OPTIONS	4
BOM & CUTTING LIST	5
SECTION C PREPARATION	6
FABRIC PREPARATION	6
TUBE & WEIGHTBAR ASSEMBLY	6
SECTION D ASSEMBLY	7
IDLER ASSEMBLY	7
CONTROL ASSEMBLY	7
SECTION E PRE-TENSION	7
PRE-TENSIONING	7
SECTION F DISASSEMBLY (IF REQUIRED)	8
DISASSEMBLY.....	8
SECTION G PREPARE & PACK ASSEMBLIES FOR INSTALLATION	8
OPEN SYSTEM.....	8
CASSETTE SYSTEM	8
SECTION H TROUBLESHOOTING	9

DISCLAIMER

INTRODUCTION

This Assembly manual for Easy Spring Ultra Skyline has been produced by Rollease Acmeda to supply the necessary information for the safe and correct assembly of Easy Spring Ultra Skyline.

DISCLAIMER

Rollease Acmeda has used reasonable care in preparing the information included in this document, but makes no representations or warranties as to the completeness or accuracy of the information. Information is supplied upon the condition that the persons receiving the information will make their own determination as to its suitability for their purposes prior to use. Rollease Acmeda assumes no liability whatsoever for any damages incurred by you resulting from errors in or omissions from the information included herein. Rollease Acmeda reserves the right to make changes without further notice to any products to improve reliability, function or design.

COPYRIGHT

COPYRIGHT © ROLLEASE ACMEDA

All rights are reserved. No part of this document may be reproduced or utilised in any means, by any means, electronic or mechanical including photocopying, recordings, or by any information storage or retrieval system, without the express permission from Rollease Acmeda.

SECTION A | TOOLS AND ADDITIONAL ITEMS REQUIRED

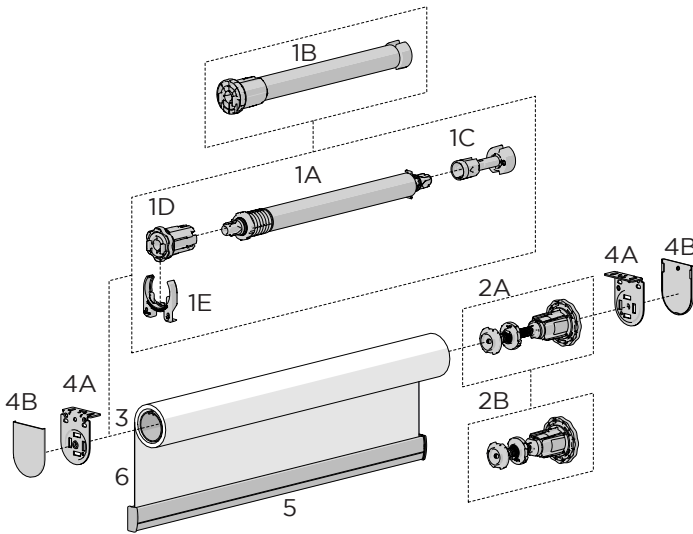
TOOLS REQUIRED

- 1 Screwdriver - Philips Head & Flat Head
- 2 Scissors
- 3 Measuring Tape
- 4 Pencil
- 5 Booster Pre-tension Tool (RB12-4530-025000)
- 6 Pre-tension Retaining Clip (RB12-4530-025000)

SECTION B | SYSTEM DETAILS

OVERVIEW

GENERAL SCHEMATIC



SYSTEM INDEX:

1. CONTROL:

- A - Booster Universal
- B - Compact Booster
- C - Booster Decelerator
- D - Spring Control with tension adjust
- E - Pre-Tension Retaining Clip

2. LIMITER:

- A - Limiter - Single Stop | Universal
- B - Limiter - Single Stop | Universal Short

3. ALUMINIUM TUBE:

- 1.5"

4. BRACKETS:

- A - LX Skyline Bracket
- B - LX Skyline Bracket Cover

5. WEIGHT BAR:

- D30/External Hem Bar

6. FABRIC:

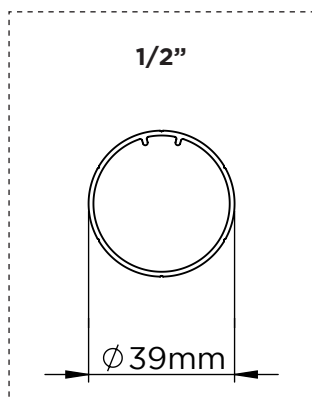
- *See Textstyle*

NOTE

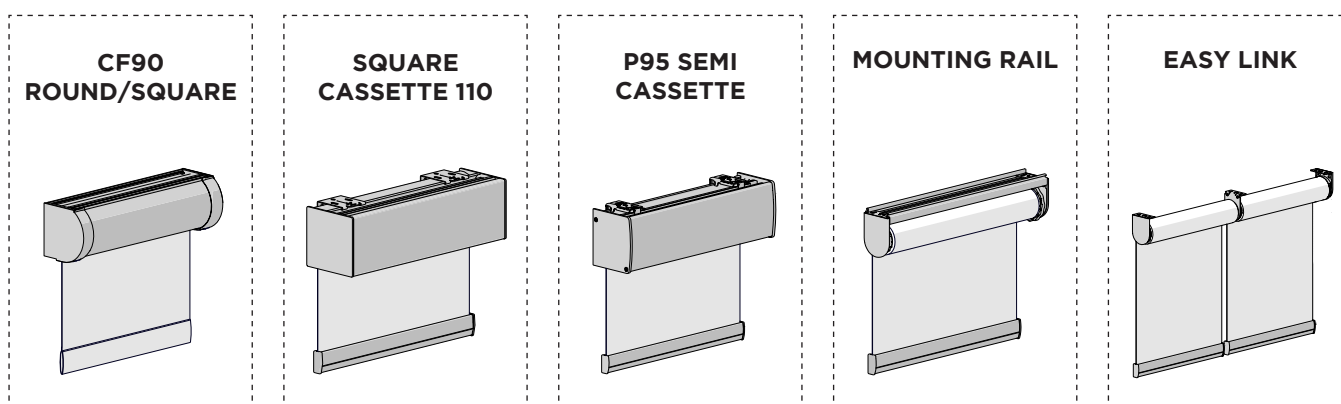
- This configuration is primarily shown throughout manuals; Left-handed, Back Roll.
- The side of the spring control determines what handed blind it is.
- Compact booster is always a left-hand control.

SYSTEM OPTIONS

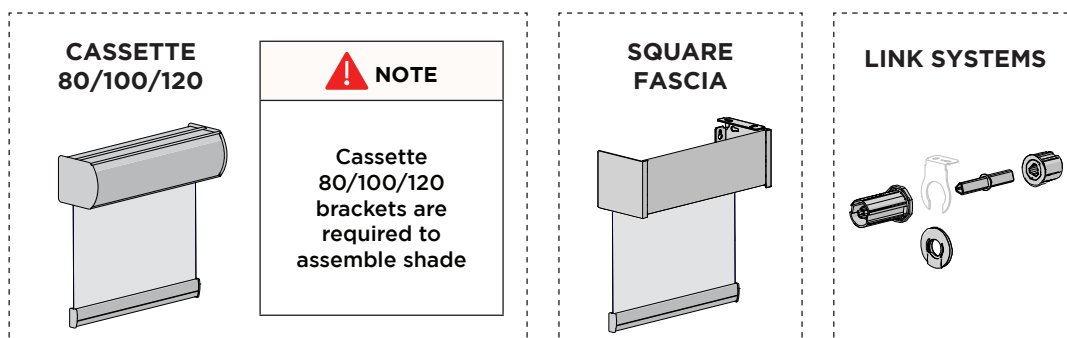
TUBE OPTIONS



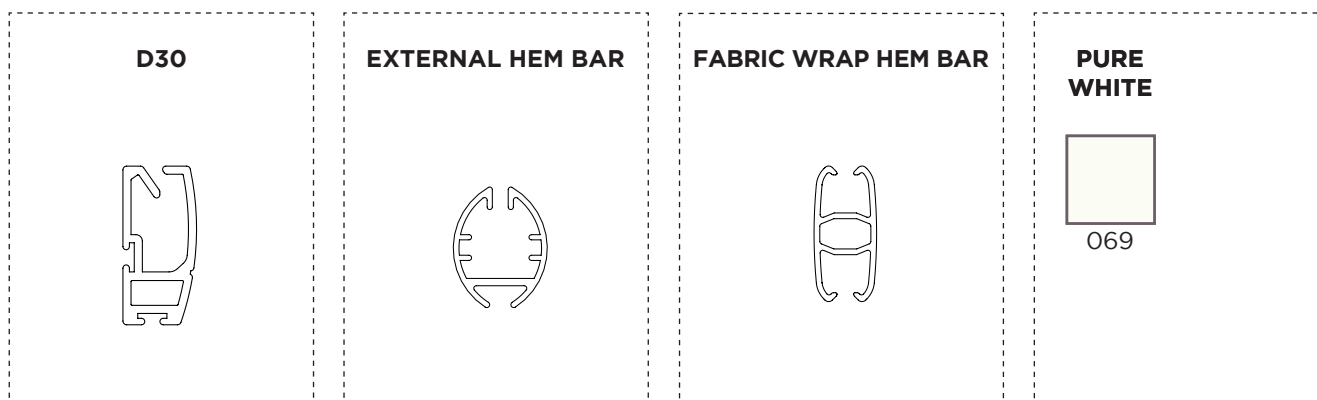
SYSTEM UPGRADE OPTIONS | SKYLINE LX BRACKETS



1.5" BRACKET ADD ONS



WEIGHTBAR OPTIONS



COLOR RANGE

BOM & CUTTING LIST

PART NUMBER	DESCRIPTION	U.O.M	QTY	DEDUCTION
-------------	-------------	-------	-----	-----------

INSTALL		PART NUMBER	DESCRIPTION	U.O.M	QTY	SKYLINE BRACKET	
						OPEN**	CASSETTE 100/120^
INSTALL	OPEN BLIND	SL01-0306-069040	LX Skyline Bracket	Piece	2		
		RB08-4151-069040	LX Bracket Cover	Set	1		
	CASSETTE 100	CRV100A	Cassette 100 Headrail	Piece	1		W - 35mm [1.38"]
		SB20-0202-xxx100	Cassette 100 Mounting Brackets	Piece	1		
		CREC100XX	Cassette 100 End Caps	Set	1		
		CRUSLB660	Cassette 100 & 120 Skyline Bracket	Set	1		
	CASSETTE 120	SB20-0304-020490	Cassette 120 Headrail	Piece	1		W - 35mm [1.38"]
		V2BKT	Cassette 120 Mounting Brackets	Piece	1		
		SB20-0303-xxx120	Cassette 120 End Caps	Set	1		
		CRUSLB660	Cassette 100 & 120 Skyline Bracket	Set	1		

CONTROL OPTIONS		PART NUMBER	DESCRIPTION	U.O.M	QTY	SKYLINE BRACKET	
						OPEN**	CASSETTE 100/120^
CONTROL OPTIONS	SPRING - LH	RB12-3870-069038	ESU 1.5" Spring Control with tension adjust	Piece	1		
		RB12-6102-xxx038	Limiters - Single Stop Universal Short 1.5"	Piece	1		
		RB12-6101-xxx038	Limiters - Single Stop Universal 1.5"				
		RB12-7111-xxx038	Booster Decelerator 1.5" LH - Blue Tail	Piece	1		
		RB12-3805-xxx038	Compact Booster				
	SPRING - RH	RB12-380x-xxx038	Booster Universal 1.5"	Piece	1		
		RB12-3241-069038	ESU 1.5" Spring Control	Piece	1		
		RB12-6102-xxx038	Limiters - Single Stop Universal Short 1.5"	Piece	1		
		RB12-6101-xxx038	Limiters - Single Stop Universal 1.5"				
		RB12-7112-xxx038	Booster Decelerator 1.5" RH - Red Tail	Piece	1		
	BOOSTER UNIVERSAL	RB12-380x-xxx038	Booster Universal 1.5"	Piece	1		
		RB12-3800-xxx038	Booster Univ. SHORT 1.5"				
		RB12-3801-xxx038	Booster Univ. LGT 1.5"				
	COMPACT BOOSTER	RB12-3802-xxx038	Booster Univ. STD 1.5"				
		RB12-3805-xxx038	Universal Booster COMPACT				
RB12-6102-xxx038		Limiters - Single Stop Universal Short 1.5"	Piece	1			
RB12-6101-xxx038		Limiters - Single Stop Universal 1.5"					
RB12-3803-xxx038	Booster Univ. HD 1.5"						

BOTTOM RAIL		PART NUMBER	DESCRIPTION	U.O.M	QTY	SKYLINE BRACKET	
						OPEN**	CASSETTE 100/120^
BOTTOM RAIL	RB91-1232-xxxLLL	D30 SILENT Medium Bottom Rail	mm [inch]	1	W - 34mm [1.34"]	W - 35mm [1.38"]	
	RB91-2133-xxx002	D30 Medium Bottom Rail End Caps LH & RH	Set	1			
	RB91-1236-xxxLLL	Fabric Wrap Hem Bar	mm [inch]	1	W - 34mm [1.34"]	W - 35mm [1.38"]	
	RB92-1501-001100	15mm Flat Spline					
	RB92-1502-001075	15mm Flat Spline - D/S MP-HR TAPE	mm [inch]	1	W - 34mm [1.34"]	W - 35mm [1.38"]	
	RB92-1503-001075	15mm Flat Spline - D/S MP-HR TAPE B/SIDES					
	VB05-0301-xxxLLL	Base Rail Weight Rod	mm [inch]	0 or 1	W - 74mm [2.91"]	W - 75mm [2.95"]	
	SB91-0011-050500	Fabric Brush	mm [inch]	1	W - 34mm [1.34"]	W - 35mm [1.38"]	

PRE-TENSION CLIP	RB12-3812-503038	ESU Pre-Tension Retaining Clip 1-1/2"	Piece	1		
-------------------------	------------------	---------------------------------------	-------	---	--	--

MOUNTING RAIL		PART NUMBER	DESCRIPTION	U.O.M	QTY	SKYLINE BRACKET	
						OPEN**	CASSETTE 100/120^
MOUNTING RAIL	RB88-2051-xxxLLL	MKII Mounting Rail Base 50 VX/LX	Set	1	W - 4^	W - 4^	
	RB88-4151-xxx040	VX/LX Bracket Cover Caps - MKII Mounting Rail	Set				
	RB88-2092-xxx001	Mounting Rail - Slimline Spring Clip Bracket					
	HD82-1904-025010	Screw - Self Tapper, C/Sunk Head, #4 x 3/8	Set	4			

TUBE		PART NUMBER	DESCRIPTION	U.O.M	QTY	SKYLINE BRACKET	
						OPEN**	CASSETTE 100/120^
TUBE	RTEA-4T05-000580/RTEA4Txx	Rollese Tube + M/P Tape 1-1/2"	mm [inch]	1	W - 34mm [1.34"]	W - 35mm [1.38"]	
	TAPE36	Multi-Purpose Double Sided Tape 1/2"	mm [inch]				
	TAPE361	Multi-Purpose Double Sided Tape 1"	mm [inch]				
	RB92-0404-33mm [1.3"]1215	T-Spline Slide-on	mm [inch]	1	W - 34mm [1.34"]	W - 35mm [1.38"]	

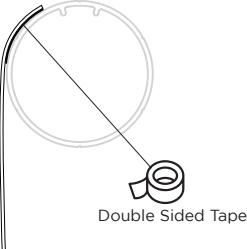
FABRIC	See Textstyle	Fabric Width	mm [inch]	1	W - 34mm [1.34"]	W - 35mm [1.38"]
		Fabric Drop	mm [inch]		D + 150mm [5.9"]	D + 150mm [5.9"]

**No Covers - If covers required add an extra 4mm [0.16"] to deduction

^No Covers - If covers are required add an extra 5mm [0.20"] to deduction

FABRIC PREPARATION

1 Attach fabric onto tube if using double sided tape

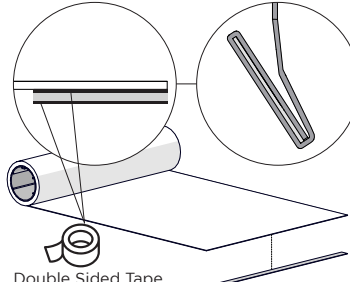


Double Sided Tape

NOTE

Minimum 2 full wraps of fabric on the tube

2 Secure spline for weightbar



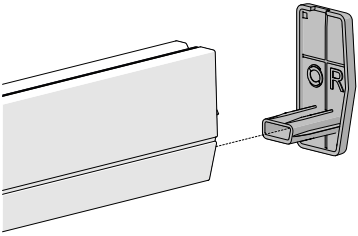
Double Sided Tape

NOTE

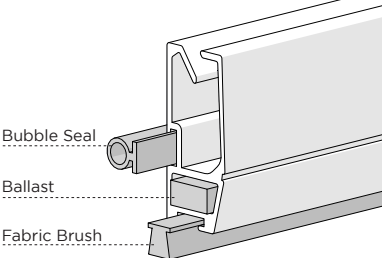
Use staples when using one wrap on the spline

TUBE & WEIGHTBAR ASSEMBLY

1 Attach one end cap



2 Attach accessories Optional

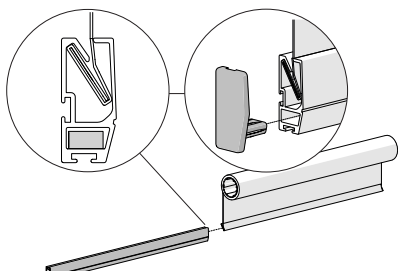


Bubble Seal

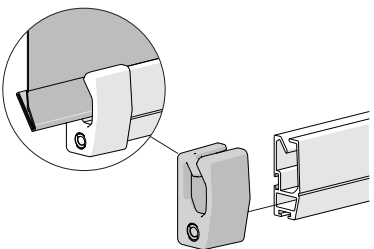
Ballast

Fabric Brush

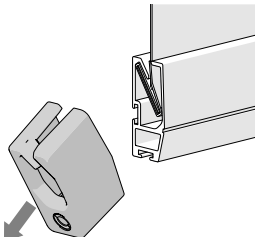
3a Attach fabric and the remaining end cap



3b Attach fabric using the fabric feeding funnel

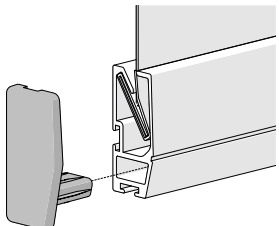


Once fabric is attached, remove the funnel



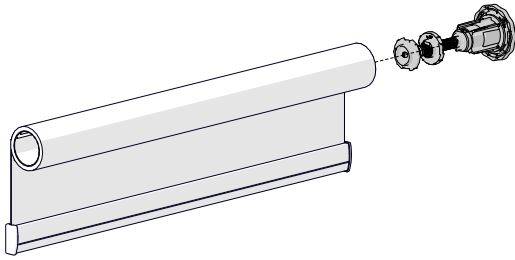
Optional

Attach the end cap



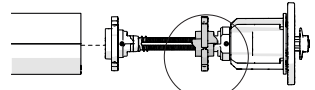
IDLER ASSEMBLY

1 Insert limiter into tube

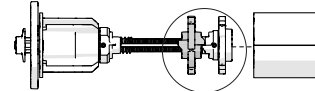


⚠ CONFIGURATION CHECK

Left Hand Control

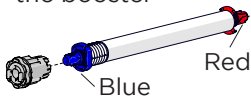


Right Hand Control



CONTROL ASSEMBLY

1 Snap spring control to the booster



⚠ CONFIGURATION CHECK

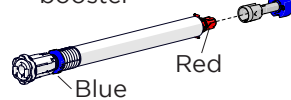
LH Control



RH Control



2 Snap decelerator to the booster



⚠ CONFIGURATION CHECK

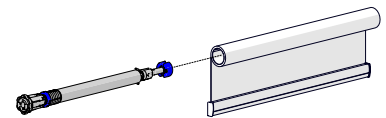
LH Control



RH Control



3 Insert booster into the tube



⚠ NOTE

Booster must not be pre-tensioned

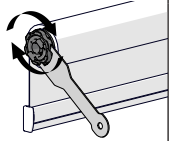
PRE-TENSIONING

1 Rotate spring control using pre-tension tool

⚠ DIRECTION OF PRE-TURNS CHECK

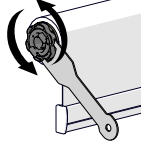
LH Back Roll

Clockwise



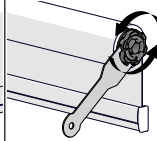
LH Front Roll

Anti-Clockwise



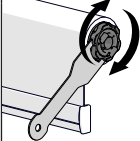
RH Back Roll

Anti-Clockwise



RH Front Roll

Clockwise

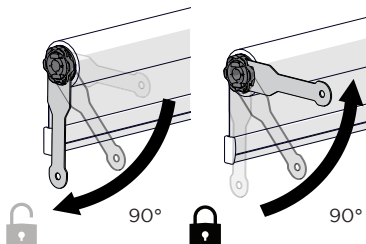


⚠ PRE-TURNS CHECK

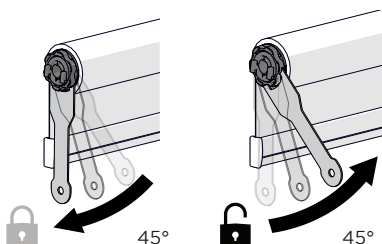
Refer to the pre-tension charts to find the number of returns required
Scan the QR Code



2 Rotate 90° in the direction of pre-turns then release to lock tension



3 Rotate 45° in the direction of pre-turns then release to un-lock tension

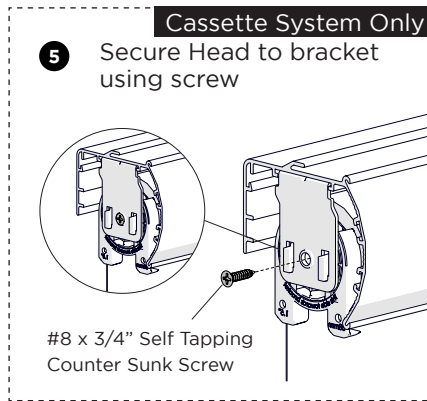
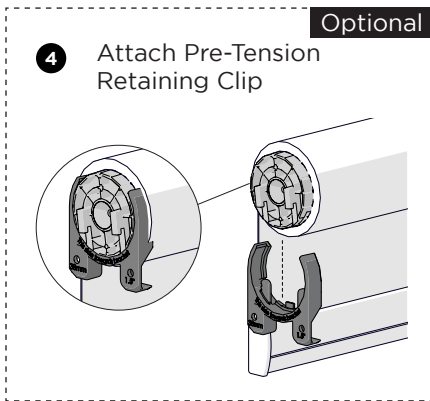


If Required

⚠ NOTE

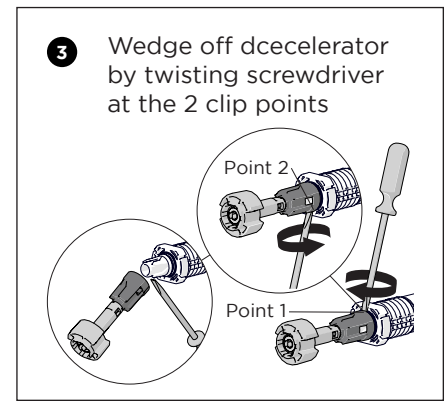
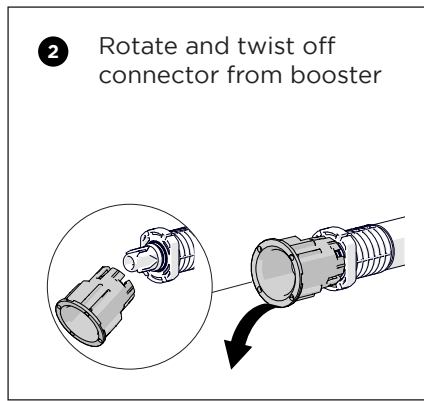
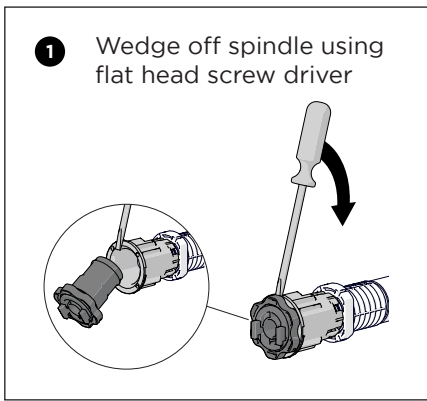
After the releasing the spring, the spring will un-tension itself (Spring head will spin in the opposite direction of pretensioning)

SECTION E | PRE-TENSION



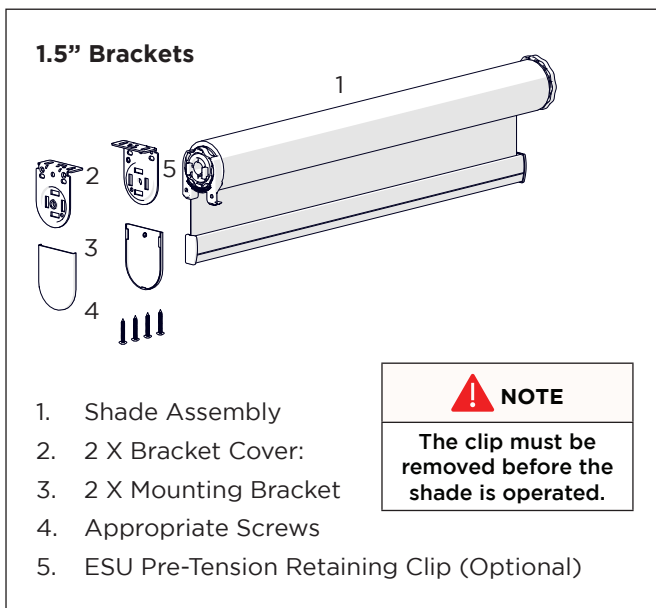
SECTION F | DISASSEMBLY (IF REQUIRED)

DISASSEMBLY

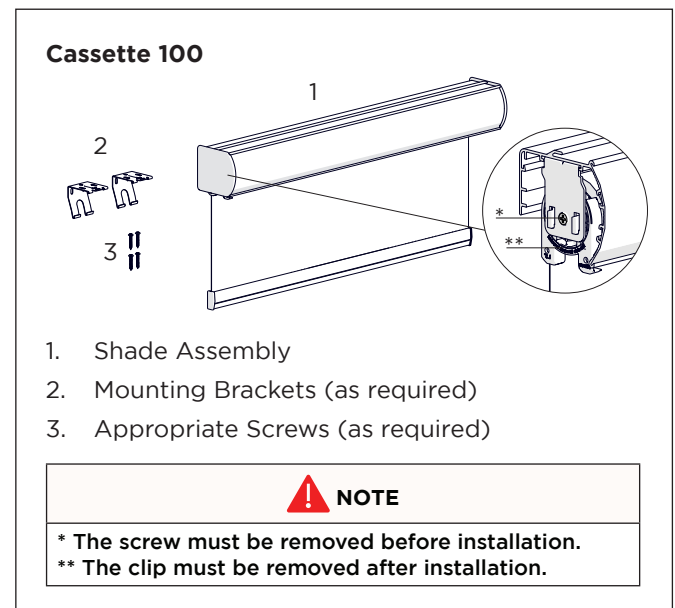


SECTION G | PREPARE & PACK ASSEMBLIES FOR INSTALLATION

OPEN SYSTEM



CASSETTE SYSTEM



SECTION H | TROUBLESHOOTING

NO.	PROBLEM	CAUSE	SOLUTION
1	Erratic Behaviour	Spring Control on wrong end	Remove and re-install on other end
	Blind falls	No Pre-Turns	Refer to charts for correct pre-turns
2	Blind will raise quickly	Wrong Decelerator	Remove and re-install correct Decelerator
		Too many Pre-Turns	Remove Pre-Turns

For pretension + limit position adjustment please refer to the Installation Manual