



Easy Spring Air

INSTALLATION MANUAL

v1.1 | February 2025 | US



CONTENTS

SECTION A SHADE ITEMS REQUIRED	3
OPEN SYSTEM.....	3
SECTION B INSTALLATION	3
BRACKET INSTALLATION OPTIONS	3
CASSETTE SYSTEM	3
SHADE INSTALLATION.....	4
LIMIT ADJUSTMENT	5
BACK ROLL	5
FRONT ROLL	5
INSTALLED SHADE ADJUST PRE-TURNS	5
UNINSTALL SHADE	6
UNINSTALLED SHADE ADJUST PRE-TURNS	6
SECTION C OPERATION	7
OPERATION OF SHADE	7
SECTION D TROUBLESHOOTING	8
APPENDIX A INSTALLER QUICK REFERENCE	9
APPENDIX B INSTALLER FLOWCHART	10

DISCLAIMER

INTRODUCTION

This Installation manual for Easy Spring Air System has been produced by Rollease Acmeda to supply the necessary information for the safe and correct Installation of Easy Spring Air System.

DISCLAIMER

Rollease Acmeda has used reasonable care in preparing the information included in this document, but makes no representations or warranties as to the completeness or accuracy of the information. Information is supplied upon the condition that the persons receiving the information will make their own determination as to its suitability for their purposes prior to use. Rollease Acmeda assumes no liability whatsoever for any damages incurred by you resulting from errors in or omissions from the information included herein. Rollease Acmeda reserves the right to make changes without further notice to any products to improve reliability, function or design.

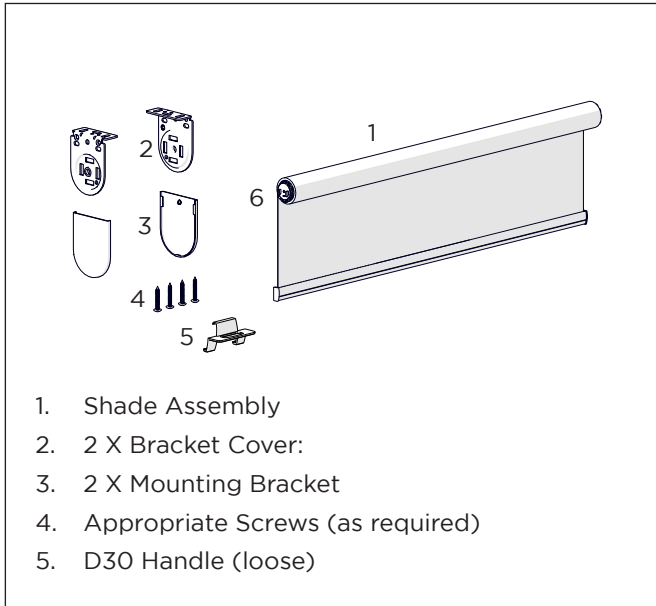
COPYRIGHT

COPYRIGHT © ROLLEASE ACMEDA

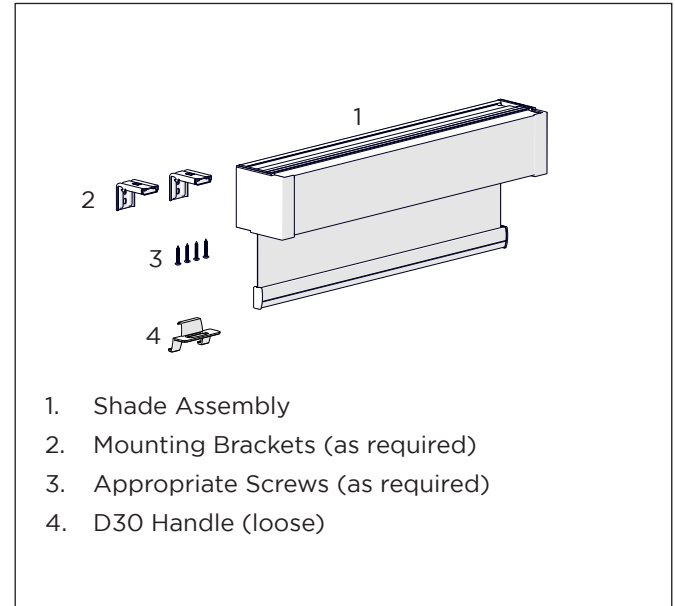
All rights are reserved. No part of this document may be reproduced or utilised in any means, by any means, electronic or mechanical including photocopying, recordings, or by any information storage or retrieval system, without the express permission from Rollease Acmeda.

SECTION A | SHADE ITEMS REQUIRED

OPEN SYSTEM



CASSETTE SYSTEM

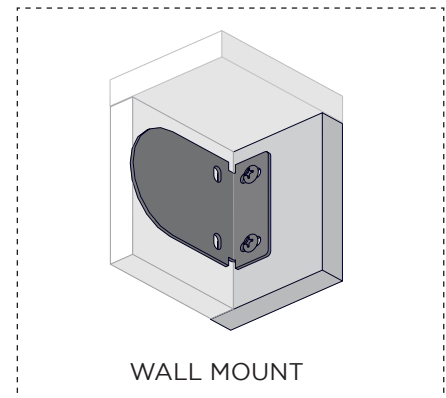
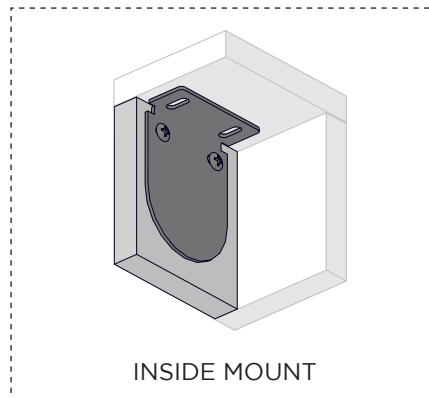
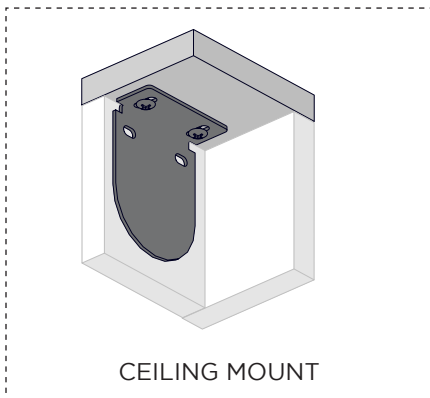


NOTE

Do not remove Pretension Lock until ready to operate shade

SECTION B | INSTALLATION

BRACKET INSTALLATION OPTIONS

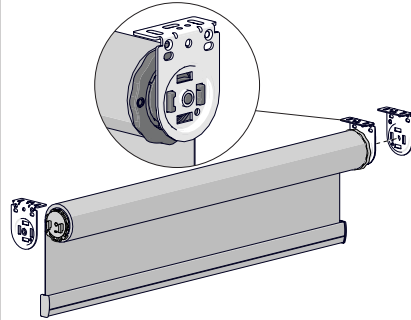


SHADE INSTALLATION

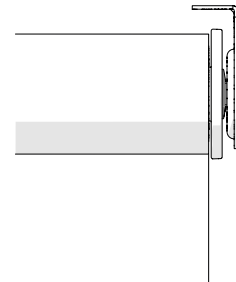
⚠ WARNING

DO NOT remove the orange pretension clip before installing the blind in the brackets.

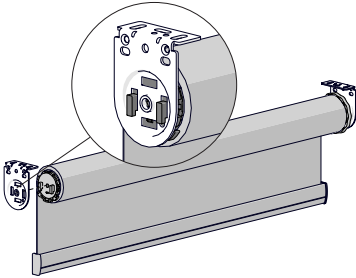
1 Insert Limiter or HD Pin End into bracket



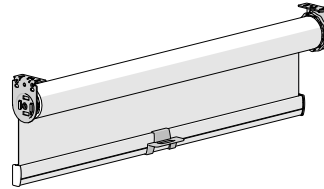
2 Compress pin



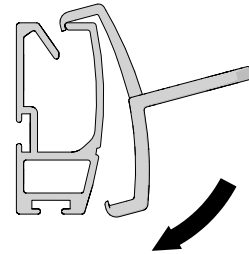
3 Attach control side. Ensure hooks are engaged.



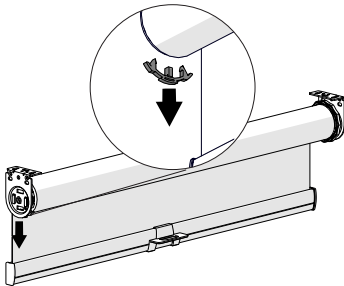
4 Attach handle in the middle of weight bar.



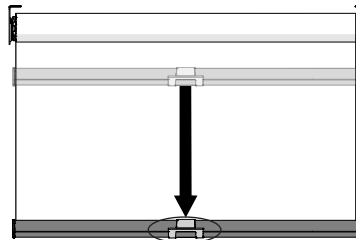
5 Align top grip in groove and snap in place.



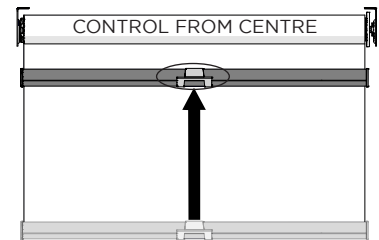
6 Remove pretension clip



7 Move the Bottom Rail to bottom position.

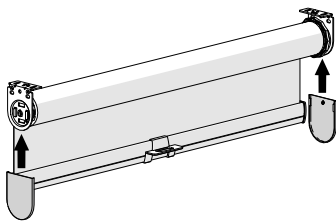


8 Move the Bottom Rail to top position.



9 Slide End Cap covers over brackets

Optional



⚠ NOTE

If the shade stays in place once the pretension clip is released, it is balanced and the correct number of pre-turns have been applied.

If the shade is not balanced, refer to the TROUBLE SHOOTING section.

LIMIT ADJUSTMENT

NOTE

Move bottom rail to limit position prior to adjusting limits.
Does not apply to 2" tube systems with the HD pin end

BACK ROLL

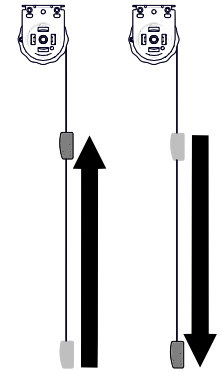
1 Rotate wheel to adjust as necessary.



2

Test limits by moving the shade up & down.

Continue to adjust as necessary.



FRONT ROLL

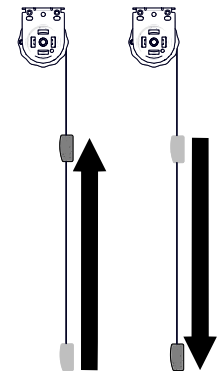
1 Rotate wheel to adjust as necessary.



2

Test limits by moving the shade up & down.

Continue to adjust as necessary.

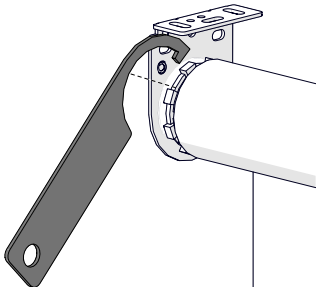


NOTE

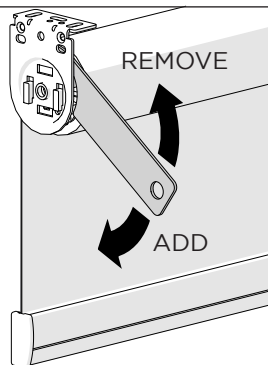
Note, if shade limit needs significant adjustment, lock the spring and remove the shade. Remove the limiter and adjust the wheel position. Install and remove the lock. Test shade. Refer to uninstall shade section.

INSTALLED SHADE | ADJUST PRE-TURNS

Use the spanner tool to adjust pre-turns.

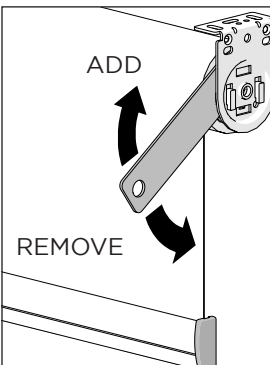


Fabric Back Roll

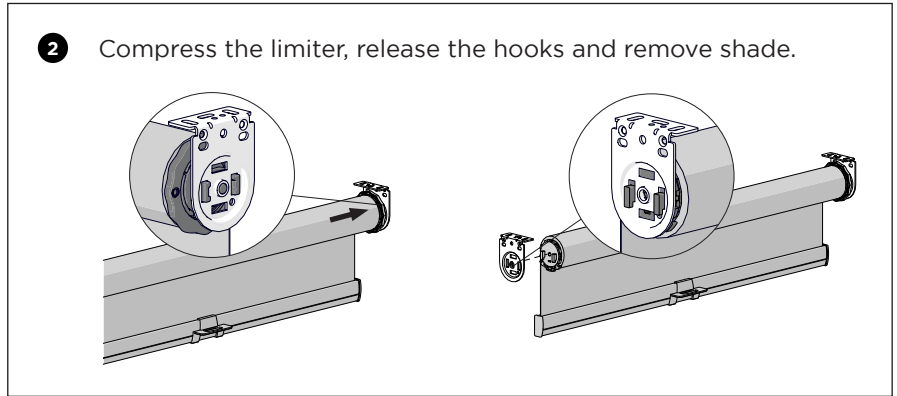
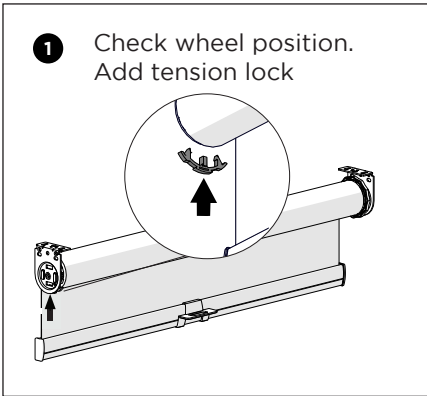


ADD

Fabric Front Roll



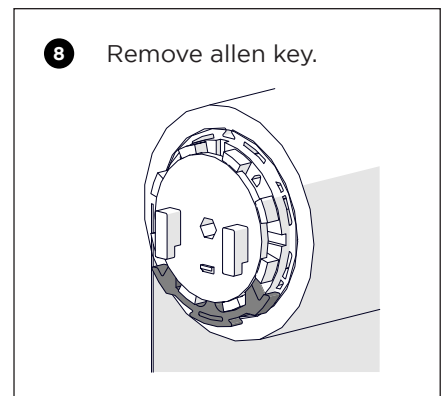
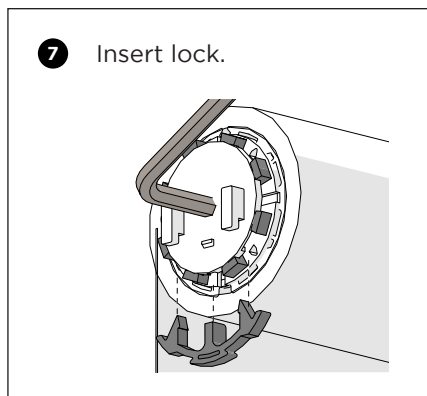
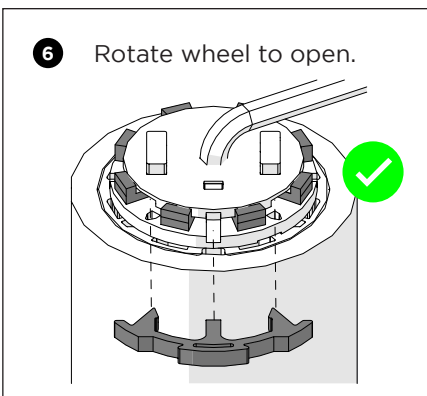
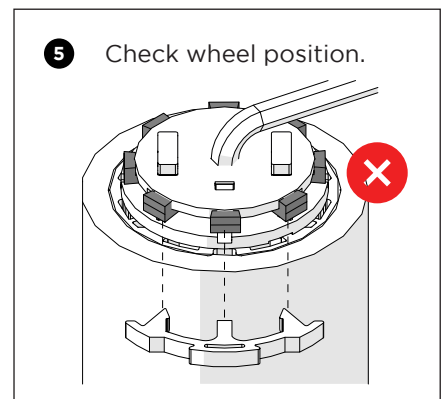
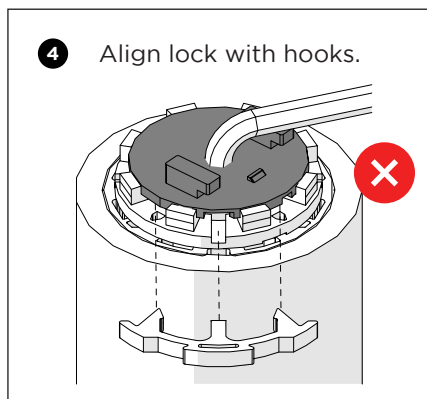
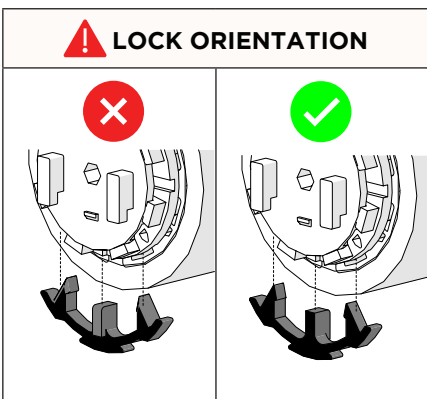
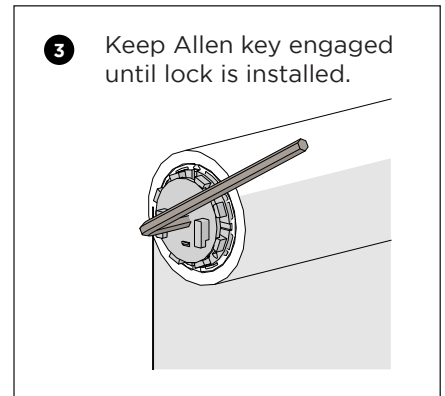
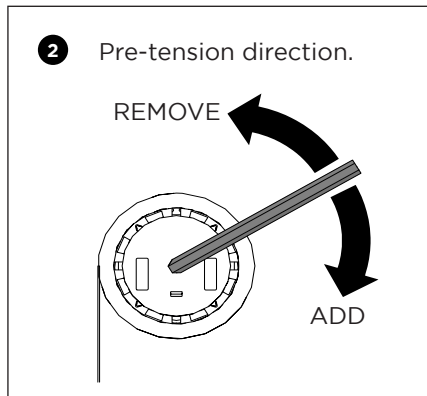
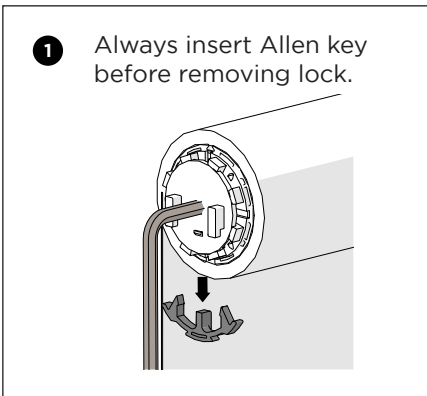
UNINSTALL SHADE



UNINSTALLED SHADE | ADJUST PRE-TURNS

! NOTE

Spring is under tension - do not remove tension lock until you have Allen key inserted and securely held.

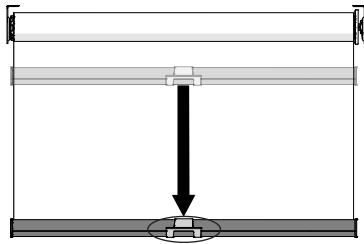


OPERATION OF SHADE

 **NOTE**

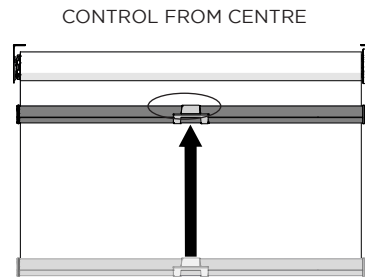
To operate the shade, user **MUST** use the shade from the centre of the bottom rail.

- 1** Move Bottom Rail to desired position and release.



CONTROL FROM CENTRE

- 2** Move Bottom Rail to desired position and release.



CONTROL FROM CENTRE

SECTION D | TROUBLESHOOTING



NOTE

The Easy Spring Air is a balanced system, for best results it is critical to select the correct spring size and set the spring plug position specifically following Rollease Acmeda's recommendations (Refer Shade Calculator or ESA Chart Generator). These tools require all shade parameters to be input accurately. Shade width & drop, fabric thickness & density, weight bar mass & tube diameter all have an impact on the recommended spring selection & pre-turns.

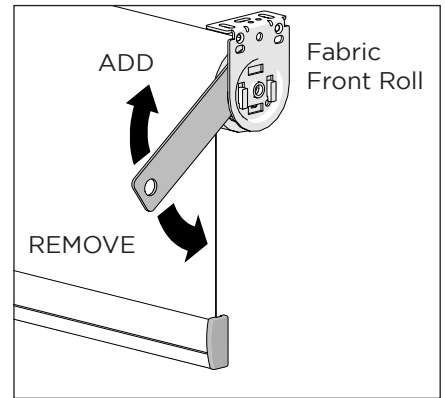
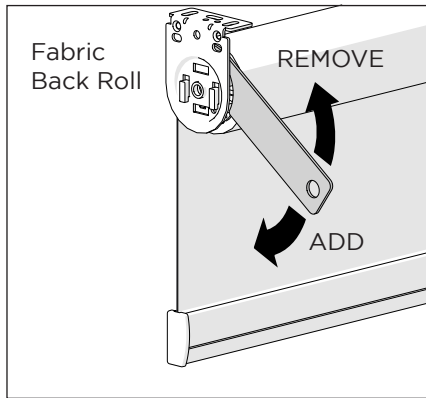
NO.	PROBLEM	CAUSE	SOLUTION
1.	Bottom rail hits hard stop when lowering.	Limiter stopping tube from rotating, because wheel is in incorrect position.	Remove shade (ensure tension is secure before removing). Remove limiter from tube. Ensure limiter wheel is located closest to pin end. Rotate wheel to adjust as required. Insert limiter into tube and re-install shade.
2.	Tube abruptly stops rotating when raising bottom rail OR bottom rail can be moved past desired top limit.	Top limit position has not been adjusted to suit blind.	Adjust top limit position by rotating limiter wheel.
3.	Bottom rail rises when released.	Too many spring pre-turns (most likely)	If the bottom rail feels almost balanced, use the spanner tool to remove pre-turns via the tension adjust wheel. For significant adjustments, it may be easier to un-install the shade and use the 5mm hex key to adjust pre-turns.
		Incorrect bottom rail weight, potentially too light for current spring position/amount of pre-turns	The blind may benefit from additional ballast (pre-turns will also require adjusting). If practical, ensure total weight bar mass is close to 500g/m (Generally requires 1x length of VB05 ballast).
		Internal spring plug position is incorrectly set (least likely)	It is recommended to try all other troubleshooting options before adjusting the spring plug position as this requires removal of the spring from the tube. If this is necessary, unwind all tension from the spring and remove it from the tube, rotate the wheel to move the plug 1 position higher. After changing the plug position, pre-turns will require adjustment.
4.	Bottom rail falls when released OR Fabric bunches up when raising bottom rail.	Not enough spring pre-turns (most likely)	If the bottom rail feels almost balanced, use the spanner tool to add pre-turns via the tension adjust wheel. For significant adjustments, it may be easier to un-install the shade and use the 5mm hex key to adjust pre-turns.
		Incorrect bottom rail weight, potentially too heavy for current spring position/amount of pre-turns	The blind may benefit from less ballast (pre-turns will also require adjusting). If practical, ensure total weight bar mass is close to 500g/m (Generally requires 1x length of VB05 ballast).
		Internal spring plug position is incorrectly set (least likely)	It is recommended to try all other troubleshooting options before adjusting the spring plug position as this requires removal of the spring from the tube. If this is necessary, unwind all tension from the spring and remove it from the tube, rotate the wheel to move the plug 1 position lower. After changing the plug position, pre-turns will require adjustment.
5.	Bottom rail falls down from top limit AND bottom rail raises up from lower limit.	Incorrect internal spring plug position OR Incorrect spring size has been selected.	Increase the spring plug position. Additional pre-turns may be required. Use support material to check recommendations based on shade parameters. Contact your supplier for additional details.
6.	Bottom rail raises at top limit AND bottom rail falls down from lower limit.	Incorrect internal spring plug position OR Incorrect spring size has been selected.	Decrease the spring plug position. Less pre-turns may be required. Use support material to check recommendations based on shade parameters. Contact your supplier for additional details.
7.	Erratic Behaviour	Spring control on wrong end	Check spring is on correct end, safely remove spring and re-install on other end. Back roll fabric = spring on LHS Front roll fabric = spring on RHS
8.	Fabric tracks or bunches up towards one side.	The shade has been operated from the edges of the weight bar OR The brackets are not level.	Operate bottom rail from the middle - shade cannot be operated from the sides. Check brackets are level.

ADJUSTING SPRING SETTINGS TO ACHIEVE BALANCED OPERATION

SPRING PRE-TURNS

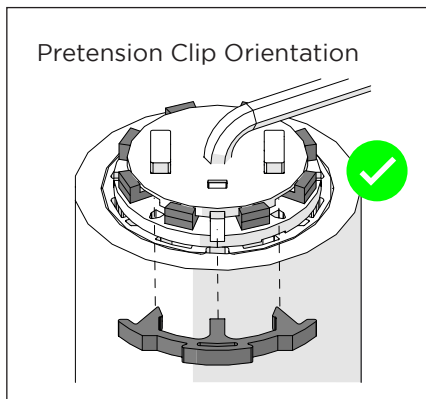
The bottom rail will fall once the clip is released if not enough pre-turns have been applied.

Back roll fabric = spring LHS
Front roll fabric = spring RHS



WARNING

Always ensure a pretension clip is secured before removing the shade.

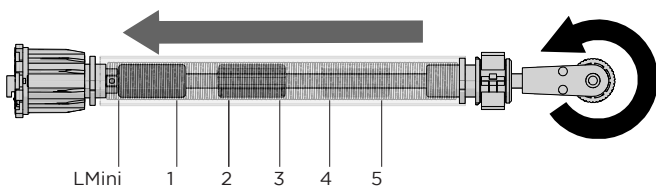


ADJUSTING SPRING PLUG

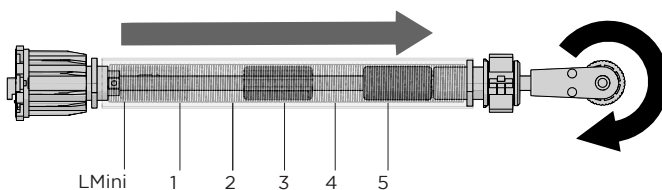
1. Uninstall shade.

WARNING | Always ensure a pretension clip is secured before removing the shade.

2. Remove pretension from spring with hex tool.
3. Remove spring from shade assembly.
4. Rotating the adjusting wheel moves the plug. Align left edge of the plug to number to set spring rate.
5. Re-assemble spring, apply pre-turns, apply pretension clip, install shade and test.

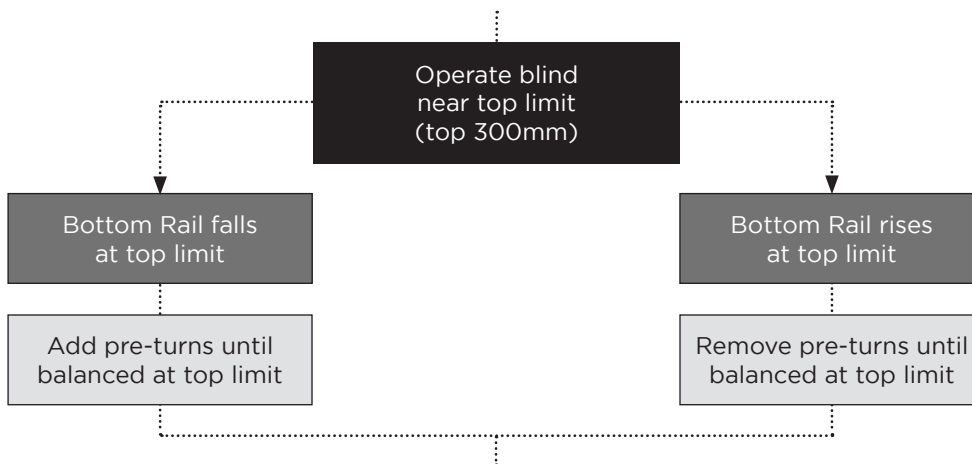


Lower plug position = Stiffer spring
Removing turns increases force quickly



Higher plug position = Softer spring
Adding turns increases force slowly

TOP LIMIT TEST



LOWER LIMIT TEST

