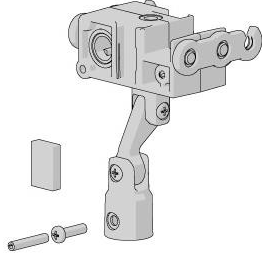


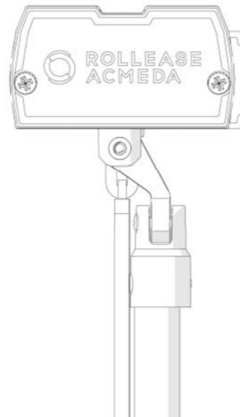
NEW PRODUCT | VERTICAL WAND CONTROL UNIT - OFFSET

PRODUCT DETAILS	
DESCRIPTION.	Vertical Wand Control Unit Offset
CODE.	VA01-0210-069000
PACK SIZE.	25 200 Set
COLOUR / FINISH.	Pure White
IMAGE.	
USE WITH.	Aluminium Head Rail, Carriers, Wand, Tiltrod Support + Screw
AVAILABLE.	July 2024

FEATURES & BENEFITS

FUNCTIONAL BENEFITS

- The **Vertical Wand Control - Offset** is a variation of the standard Wand Control with a hinge that directs the wand off-centre away from the first slat.



PRODUCTION BENEFITS

- Supplied assembled for Left Hand control for faster system assembly.
- Easily modified by flipping the arms and swapping the magnet for Right Hand operation.

