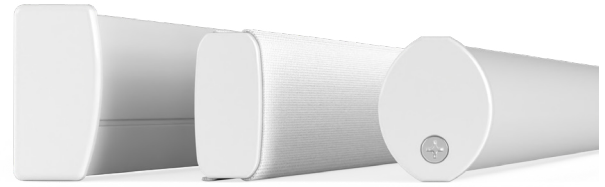


HEM BARS

FEATURES & BENEFITS

- Variety of sizes to suit all shade solutions.
- Multiple add-ons available to customise installation.
- Ends caps suitable to specific upgrades.
- Feed funnels available to assist in assembly.



COLORS

REFER TO CATALOG

OPTIONS



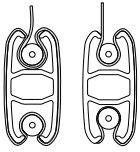
BUBBLE SEAL



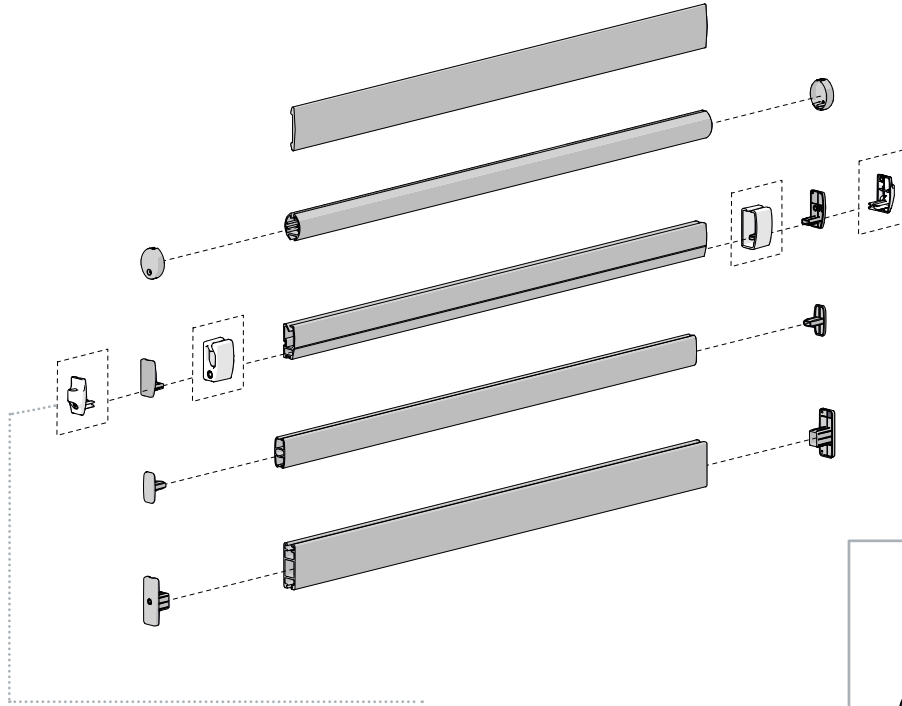
FABRIC BRUSH



BALLAST



FABRIC WRAP



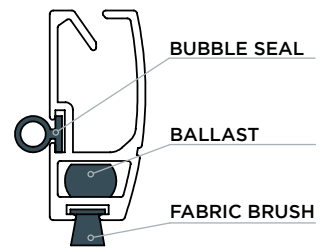
WIRE GUIDE

HARDWARE

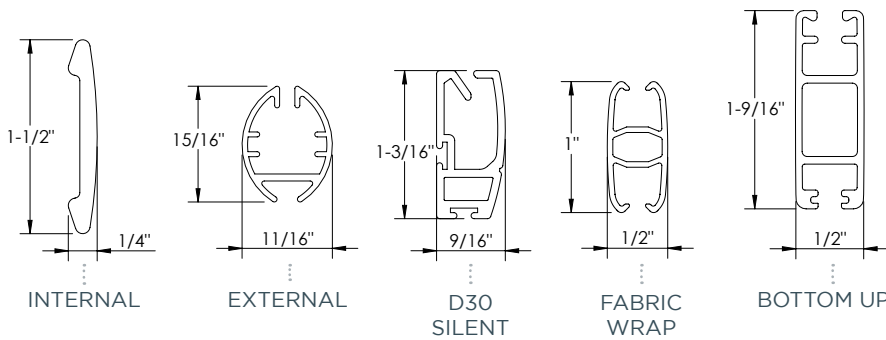
HEM BARS

INTERNAL
EXTERNAL
D30
FABRIC WRAP
BOTTOM UP

ADD-ON EXAMPLE | D30



TECHNICAL DATA



WEIGHT BAR COMPATIBILITY

	ROUND SPLINE 3mm	ROUND SPLINE 5mm	FLAT SPLINE 9mm	FLAT SPLINE 15mm	FABRIC FEEDING FUNNELS	BALLAST	FABRIC BRUSH	BUBBLE SEAL	EDGE SIDE CHANNEL	WIRE GUIDE END CAPS
INTERNAL HEM BAR										✓
EXTERNAL HEM BAR				✓						
D30 SILENT BOTTOM RAIL				✓	✓	✓	✓	✓	✓	✓
FABRIC WRAP HEM BAR	✓	✓	✓			✓			✓	
BOTTOM UP RAIL			✓			✓				

INTERNAL HEM BAR	Heat-sealed pocket solution.	2.28 lbs/ft
EXTERNAL HEM BAR	Round aesthetic.	1.81 lbs/ft
D30 SILENT BOTTOM RAIL	Premium solution. Fabric brush & bubble seal compatible - reduces noise and light gap.	2.21 lbs/ft
FABRIC WRAP HEM BAR	Suitable for half wrap and full wrap solutions.	1.70 lbs/ft
BOTTOM UP RAIL	Suitable for bottom up shading systems	3.32 lbs/ft