



MEDIUM ROLLER BLIND

INSTALLATION MANUAL

v1.1 | June 2024



CONTENTS

SECTION A TOOLS REQUIRED	3
SECTION B SHADE ITEMS REQUIRED	4
CHAIN SYSTEM - SINGLE SHADE	4
CHAIN SYSTEM - DUAL SHADES	4
MOTORISED SYSTEM - SINGLE SHADE	4
MOTORISED SYSTEM - DUAL SHADES	4
SECTION C PREPARATION	5
BRACKET INSTALLATION ORIENTATION	5
CONTROL ORIENTATION	6
SECTION D INSTALLATION	7
STANDARD SHADE	7
RB09 IDLER ADJUSTMENT	7
RB08 MKII IDLER ADJUSTMENT	7
BRACKET COVERS	8
MOTOR CAP	8
OPTIONAL ACCESSORIES	9
SECTION E EASY-LIFT CHAIN BOOSTER	10
RETRO-FIT BOOSTER PRE-TURNS	10
ADJUST PRETURNS	11
SECTION F RETRO-FIT INSTALLATION	12
RETRO-FIT BOOSTER TO WINDER	12
ZERO HEAD MOTOR REPLACE CHAIN CONTROL	12
SECTION G APPENDIX	13

DISCLAIMER

INTRODUCTION

This installation manual has been produced by Rollease Acmeda to supply the necessary information for the safe and correct installation of Medium Roller Blinds.

DISCLAIMER

Rollease Acmeda has used reasonable care in preparing the information included in this document, but makes no representations or warranties as to the completeness or accuracy of the information. Information is supplied upon the condition that the persons receiving the information will make their own determination as to its suitability for their purposes prior to use. Rollease Acmeda assumes no liability whatsoever for any damages incurred by you resulting from errors in or omissions from the information included herein. Rollease Acmeda reserves the right to make changes without further notice to any products to improve reliability, function or design.

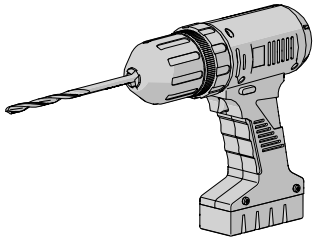
COPYRIGHT

COPYRIGHT © ROLLEASE ACMEDA

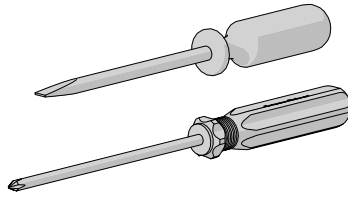
All rights are reserved. No part of this document may be reproduced or utilised in any means, by any means, electronic or mechanical including photocopying, recordings, or by any information storage or retrieval system, without the express permission from Rollease Acmeda.

SECTION A | TOOLS REQUIRED

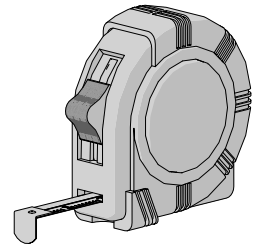
Drill



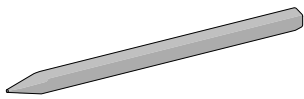
Screw Driver



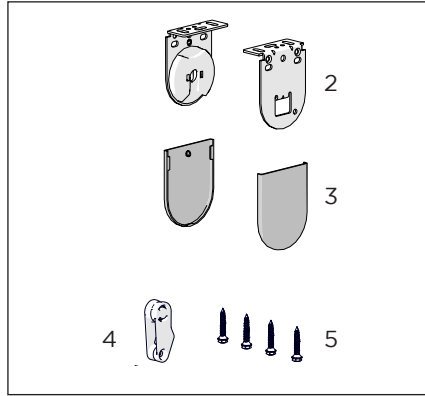
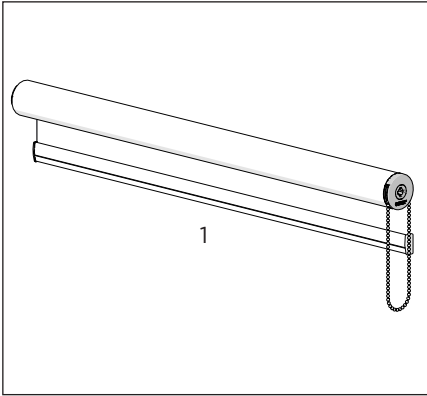
Measuring Tape



Pencil



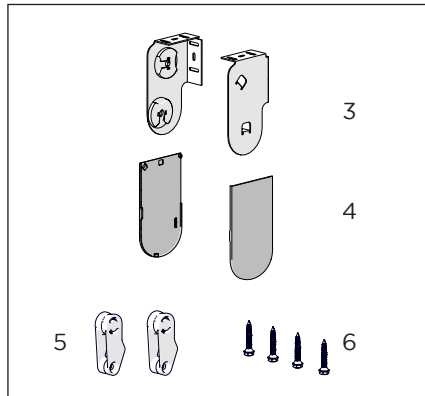
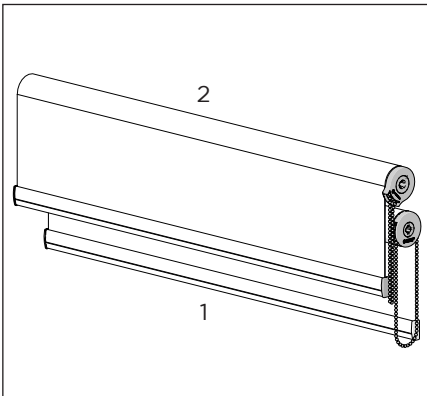
CHAIN SYSTEM - SINGLE SHADE



SYSTEM INDEX:

1. **SHADE ASSEMBLY**
2. **BRACKET SET**
3. **BRACKET COVERS SET**
 - *Optional*
4. **CHAIN TENSIONER**
 - *Optional*
5. **FASTENERS**

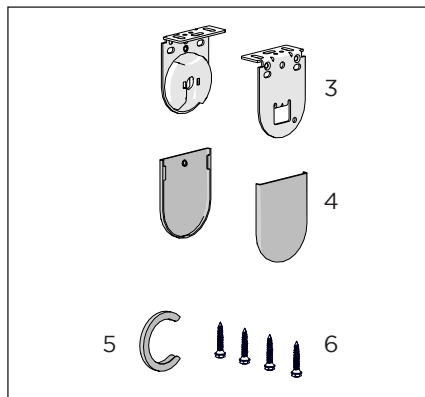
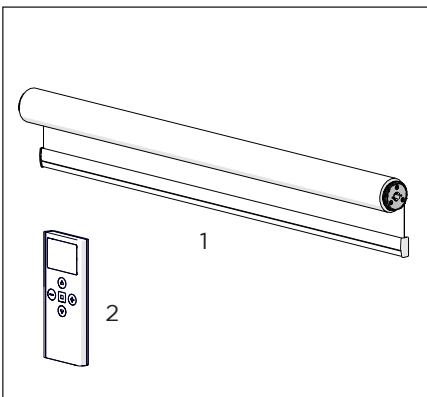
CHAIN SYSTEM - DUAL SHADES



SYSTEM INDEX:

1. **SHADE ASSEMBLY 1**
2. **SHADE ASSEMBLY 2**
3. **BRACKET SET**
4. **BRACKET COVER SET**
 - *Optional*
5. **CHAIN TENSIONER**
 - *Optional*
6. **FASTENERS**

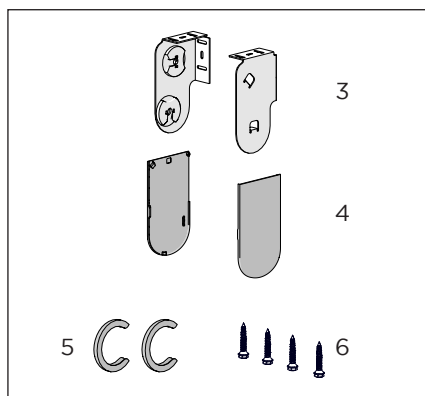
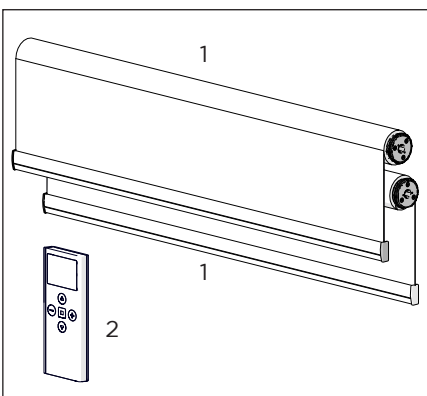
MOTORISED SYSTEM - SINGLE SHADE



SYSTEM INDEX:

1. **SHADE ASSEMBLY**
2. **REMOTE**
 - *Optional*
3. **BRACKET SET**
4. **BRACKET COVERS SET**
 - *Optional*
5. **MOTOR CAP**
 - *Optional*
6. **FASTENERS**

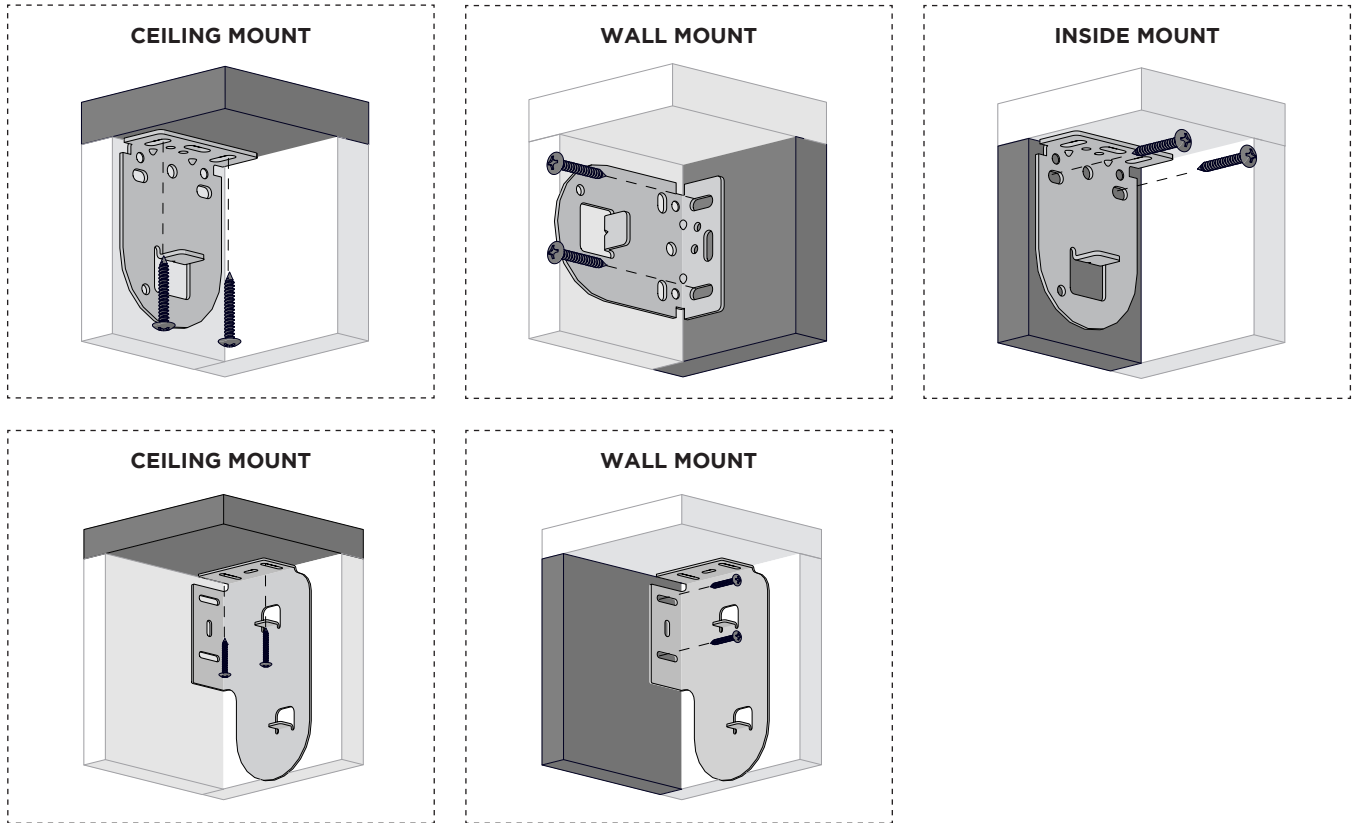
MOTORISED SYSTEM - DUAL SHADES



SYSTEM INDEX:

1. **SHADE ASSEMBLY**
2. **REMOTE**
 - *Optional*
3. **BRACKET SET**
4. **BRACKET COVER SET**
 - *Optional*
5. **MOTOR CAP**
 - *Optional*
6. **FASTENERS**

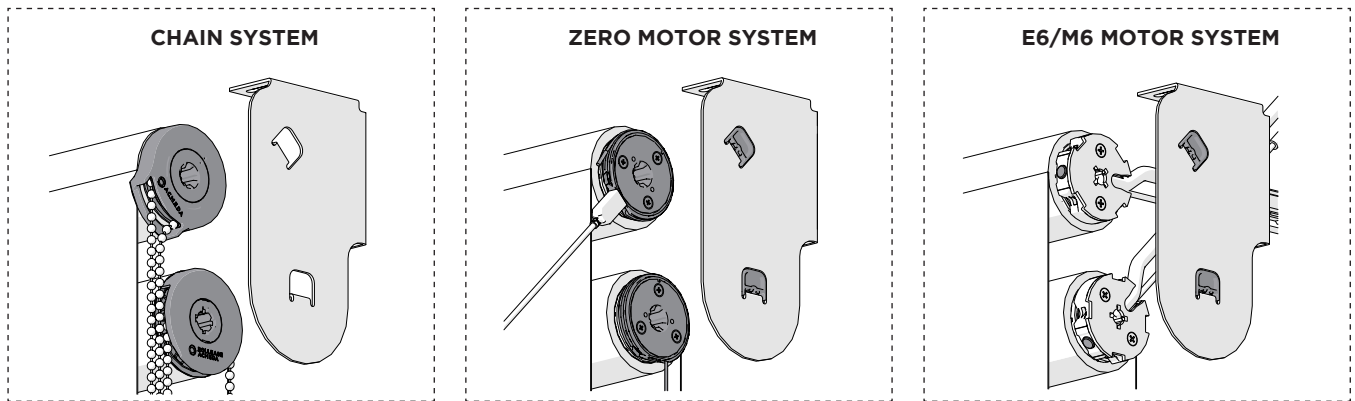
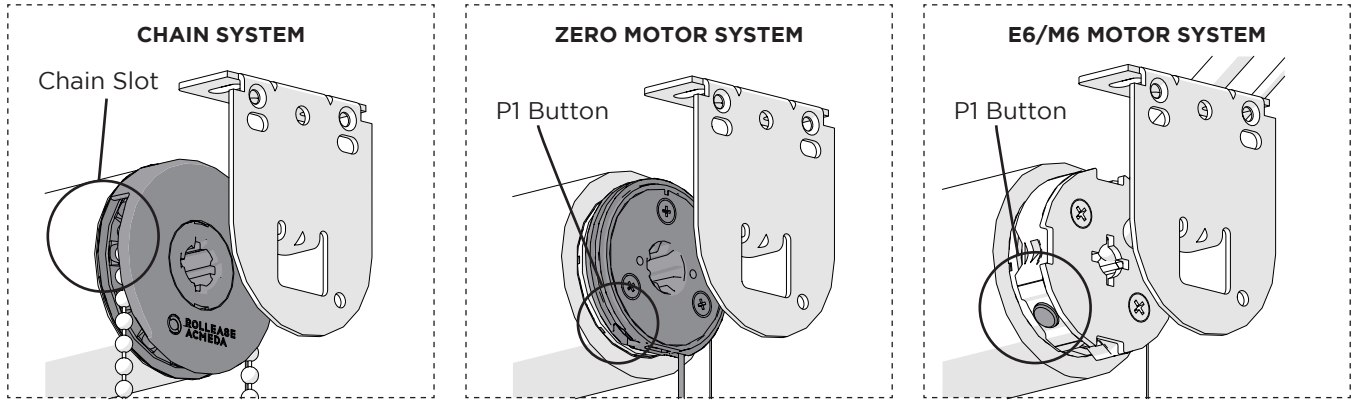
BRACKET INSTALLATION ORIENTATION



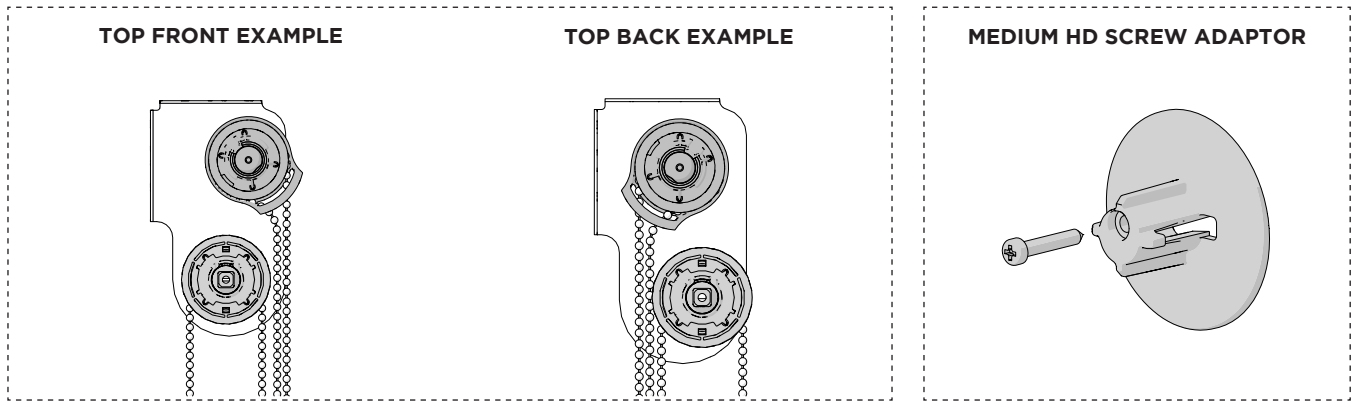
NOTE

Use 2 screws per bracket - use different holes for each screw.

CONTROL ORIENTATION

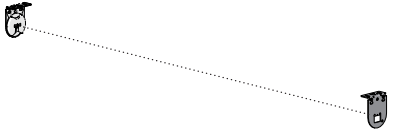


NOTE Medium HD Bracket Adaptor + Screw is required for E6/M6 motor installations. Ensure correct orientation for optimal chain performance/Motor P1 button & charging port access.



STANDARD SHADE

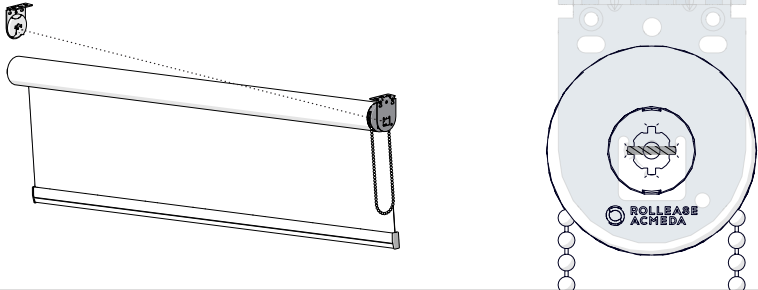
1 Fasten brackets to suitable mounting surface.



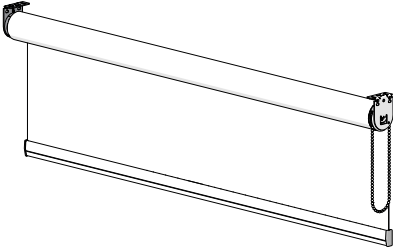
Ceiling mount shown for documentation purposes.

2 Install control end first.

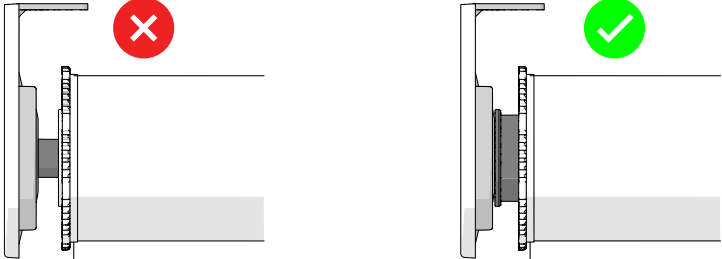
Ensure control hardware is aligned with bracket tongue.



3 Install idler end second.

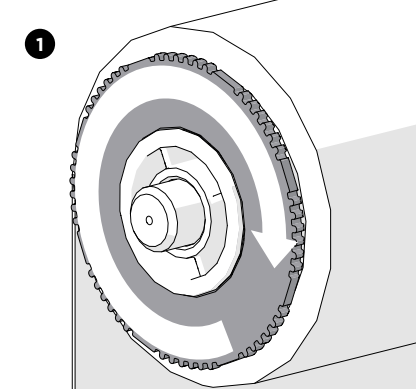


4 Ensure Idler has been extended to create a secure fit.

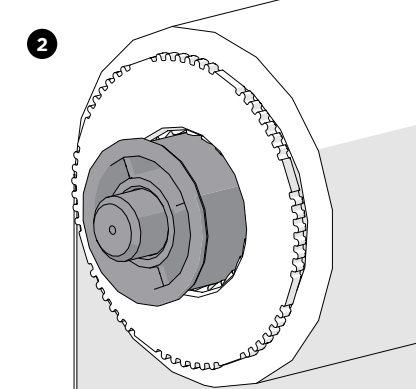


RB09 IDLER ADJUSTMENT

1



2



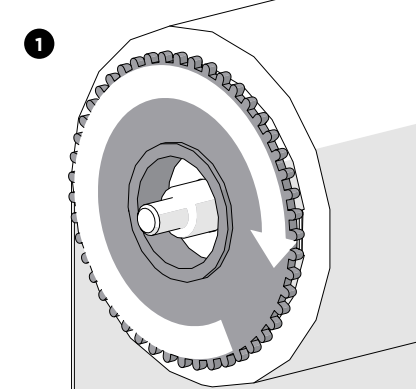
Rotate **CLOCKWISE** to extend the pin up to 10mm, in 1mm increments.

Extending the pin past 10mm will reset the pin.

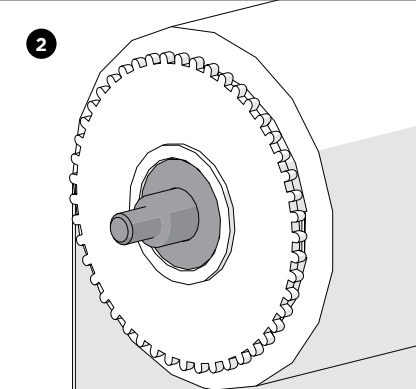
Rotate **COUNTER-CLOCKWISE** to retract the pin.

RB08 MKII IDLER ADJUSTMENT

1



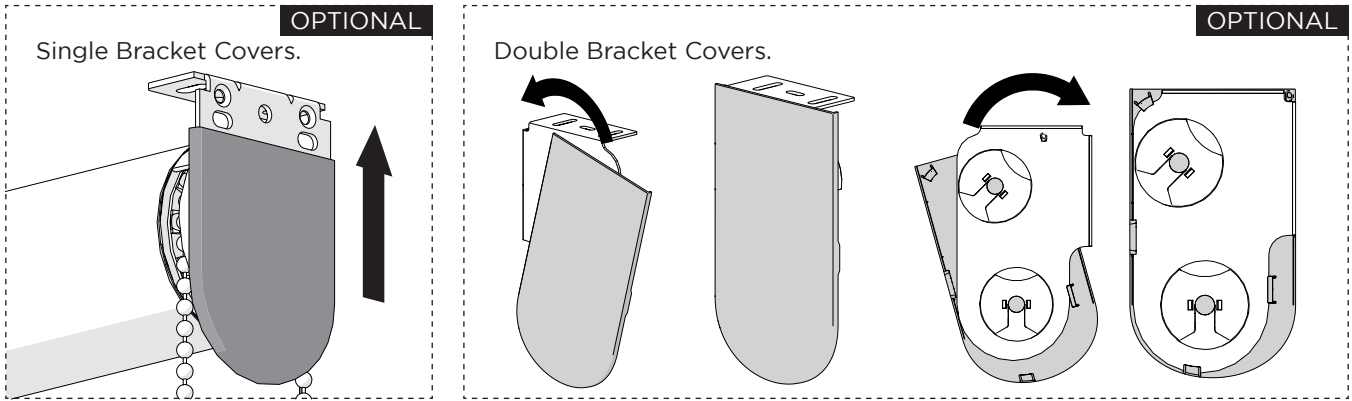
2



Rotate **CLOCKWISE** to extend the pin 7mm.

Rotate **COUNTER-CLOCKWISE** to retract the pin.

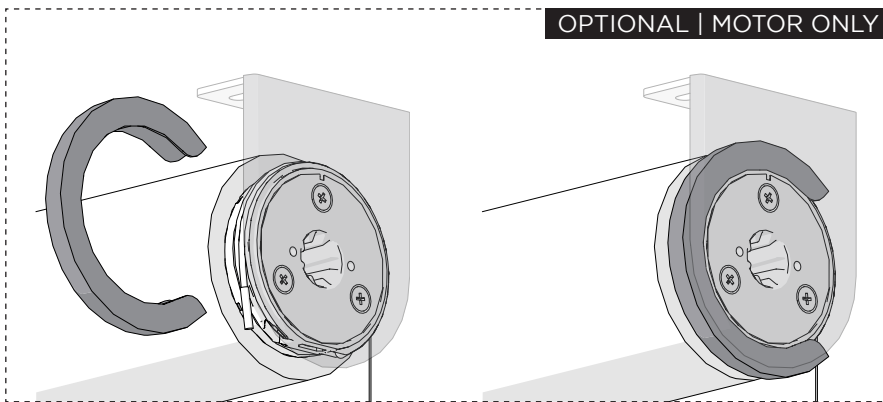
BRACKET COVERS



NOTE

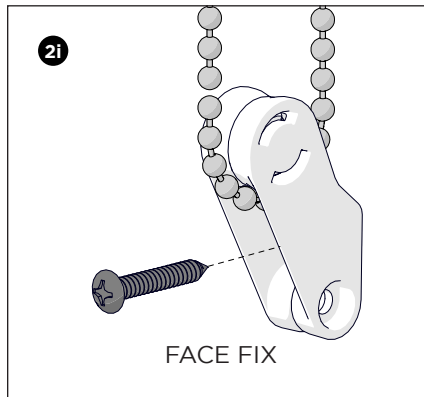
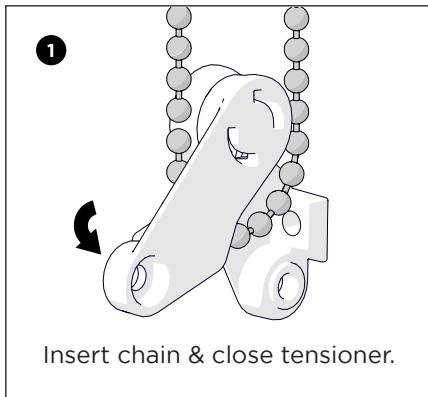
Ensure bracket covers are engaged securely onto the brackets.

MOTOR CAP



OPTIONAL ACCESSORIES

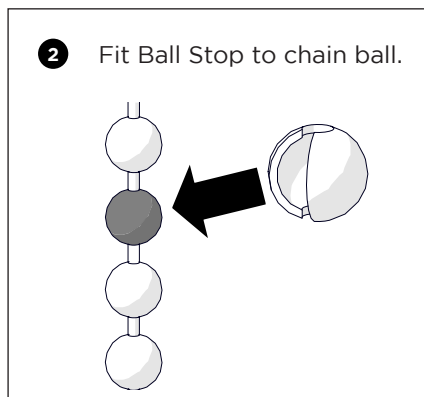
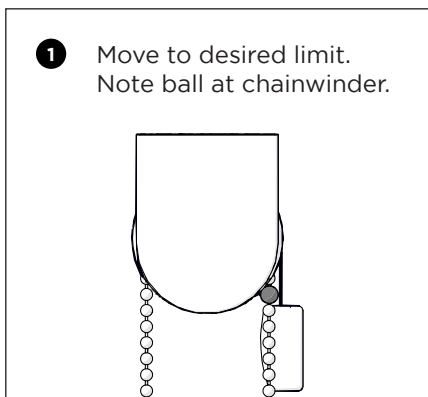
CHAIN WINDERS | CHAIN TENSIONER INSTALLATION



! NOTE

Chain will stretch over time. Ensure chain is not loose when securing the tensioner.

BALL STOP



! NOTE

- Geared Winders require a longer chain when using 2x Ball Stops, refer to the Minimum Chain Length for Geared Winders table in the Appendix.

RETRO-FIT BOOSTER | PRE-TURNS



NOTE

These charts are guidelines only - **adjust pre-turns as required during installation.**
The number in the cell represents the number of pre-turns required for each shade size.

S40

		WIDTH									
		# TUBE TURNS	0.80	1.20	1.60	2.00	2.40	2.80	3.20	3.60	4.00
DROP	0.80	6	3	4	5	7	8	9	11	5	6
	1.20	9	3	4	6	7	8	10	11	5	6
	1.60	11	3	4	6	7	9	10	5	6	6
	2.00	13	3	5	6	8	9	11	5	6	7
	2.40	16	3	5	7	8	10	11	6	6	7
	2.80	18	3	5	7	9	10	5	6	7	7
	3.20	20	4	5	7	9	11	5	6	7	8
	3.60	22	4	6	7	9	11	6	6	7	8
	4.00	24	4	6	8	10	11	6	7	7	8

S45

		WIDTH									
		# TUBE TURNS	0.80	1.20	1.60	2.00	2.40	2.80	3.20	3.60	4.00
DROP	0.80	5	3	4	6	7	8	4	5	5	6
	1.20	8	3	4	6	7	9	4	5	6	6
	1.60	10	3	5	6	8	9	5	5	6	7
	2.00	12	3	5	7	8	10	5	6	6	7
	2.40	15	3	5	7	9	4	5	6	6	7
	2.80	17	4	5	7	9	5	5	6	7	8
	3.20	18	4	6	7	9	5	6	6	7	8
	3.60	20	4	6	8	10	5	6	7	7	8
	4.00	22	4	6	8	10	5	6	7	8	8

S60

		WIDTH									
		# TUBE TURNS	0.80	1.20	1.60	2.00	2.40	2.80	3.20	3.60	4.00
DROP	0.80	4	3	5	3	4	4	5	6	6	7
	1.20	6	3	5	3	4	4	5	6	7	7
	1.60	8	4	5	3	4	5	5	6	7	8
	2.00	10	4	6	3	4	5	6	6	7	8
	2.40	11	4	6	3	4	5	6	6	7	8
	2.80	13	4	6	3	4	5	6	7	7	8
	3.20	15	4	6	3	4	5	6	7	8	9
	3.60	16	4	6	3	4	5	6	7	8	9
	4.00	18	4	6	3	4	5	6	7	8	9

SPRING	MAX ROTATIONS
STD	45
HD	38
*OUTSIDE SPECIFICATIONS	

PARAMETERS:
 FABRIC DENSITY: 390gsm
 FABRIC THICKNESS: 0.6mm
 WEIGHT BAR: D30 Bottom Rail

ADJUST PRETURNS

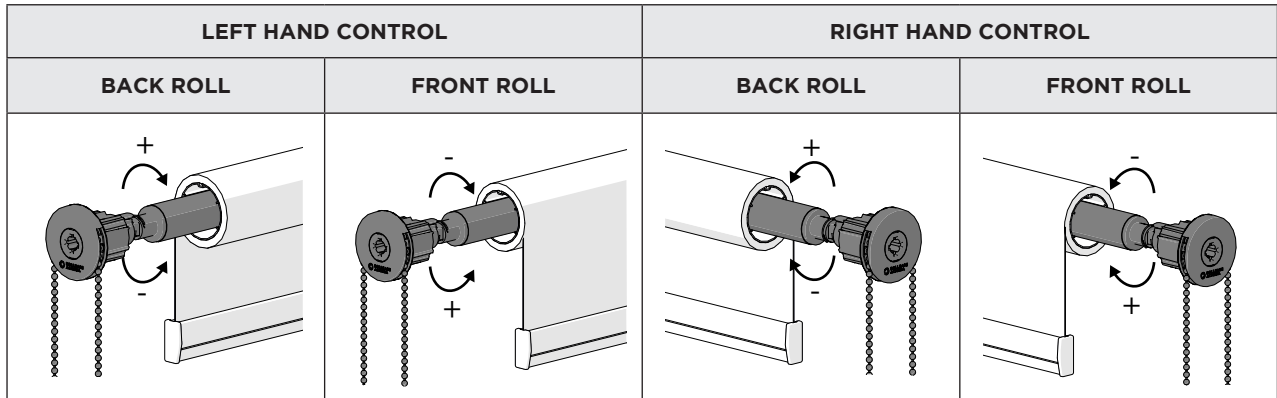
NOTE

Pre-turns + # Tube Turns should not exceed
Max Spring rotations.

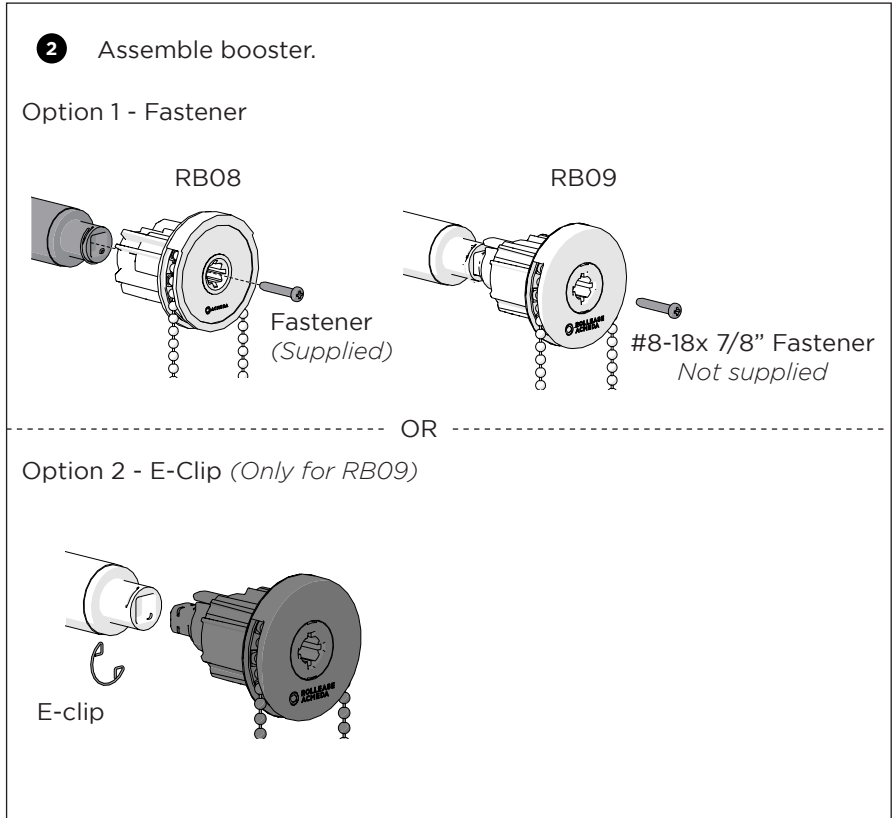
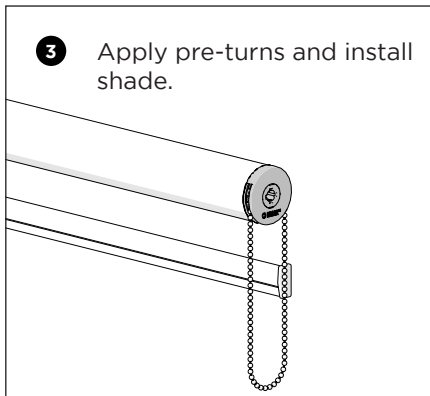
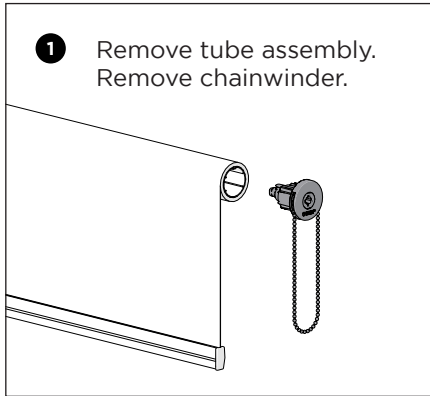
BOOSTER	COLOUR
Right Hand Spring	White (STD) / Grey (HD)
Left Hand Spring	Yellow (STD) / Blue (HD)

NOTE

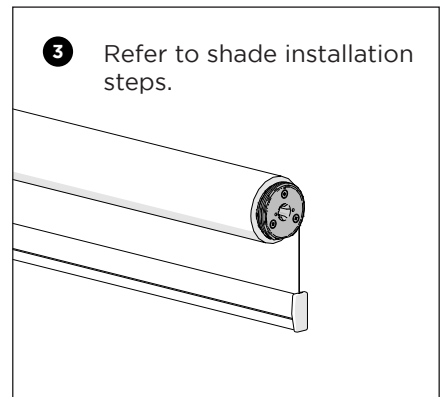
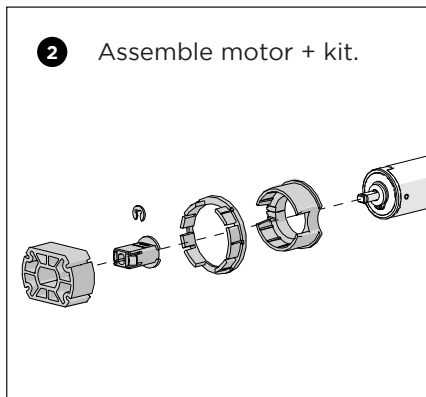
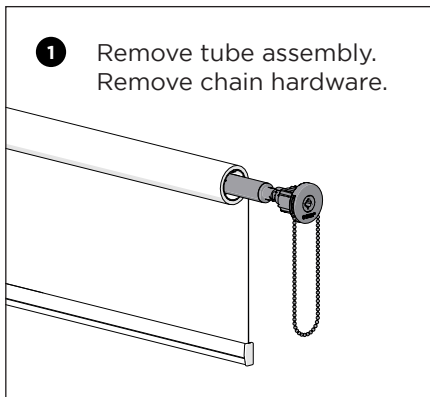
- Remove the winder and rotate to add (+) or remove (-) pre-turns.
- Hold the tube & winder securely when removing the winder, the live tension will cause the parts to spin.



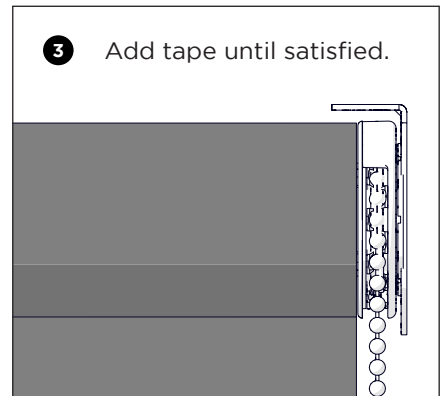
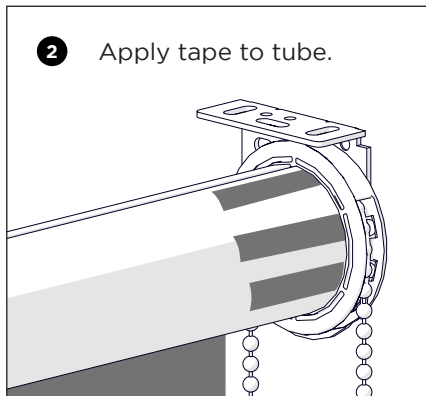
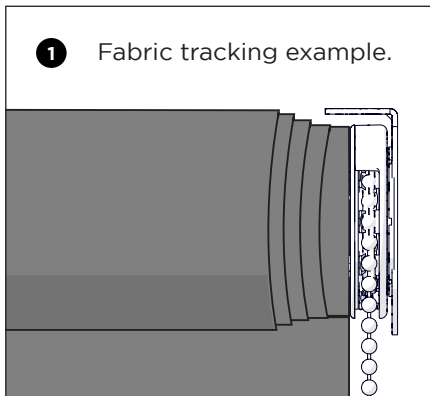
RETRO-FIT BOOSTER TO WINDER



ZERO HEAD MOTOR | REPLACE CHAIN CONTROL



FABRIC TIPS & TRICKS



MINIMUM CHAIN LENGTH FOR GEARED WINDER

PARAMETERS:	TUBE OD (mm)	44
	FABRIC THICKNESS (mm)	0.30
	GEAR RATIO	1.6

**NOTE: Refer to Roller Shade calculator for custom parameters.
Larger tubes or thicker fabrics will result in reduced chain lengths.**

Blind drop	Tube Rotations	Minimum Chain Length	Minimum Chain Loop	Minimum Standard Chain Loop
500	3.5	967	483	500
600	4.2	1126	563	750
700	4.9	1283	642	750
800	5.6	1439	720	750
900	6.2	1594	797	1000
1000	6.9	1747	874	1000
1100	7.6	1900	950	1000
1200	8.2	2051	1025	1250
1300	8.9	2201	1100	1250
1400	9.5	2349	1175	1250
1500	10.1	2497	1248	1250
1600	10.8	2643	1322	1500
1700	11.4	2788	1394	1500
1800	12.0	2933	1466	1500
1900	12.7	3076	1538	1750
2000	13.3	3218	1609	1750
2100	13.9	3359	1680	1750
2200	14.5	3499	1750	1750
2300	15.1	3638	1819	2000
2400	15.7	3777	1888	2000
2500	16.3	3914	1957	2000
2600	16.9	4050	2025	2250
2700	17.5	4186	2093	2250
2800	18.0	4321	2160	2250
2900	18.6	4455	2227	2250
3000	19.2	4588	2294	2500
3100	19.8	4720	2360	2500
3200	20.3	4851	2426	2500
3300	20.9	4982	2491	2500
3400	21.5	5111	2556	2750
3500	22.0	5240	2620	2750
3600	22.6	5369	2684	2750
3700	23.1	5496	2748	2750
3800	23.7	5623	2812	
3900	24.2	5749	2875	
4000	24.8	5875	2937	