

BRACKET OPTIONS

TUBE OPTIONS

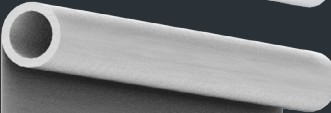
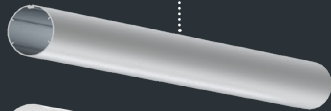
SINGLE

DOUBLE

S40

S45

S60



CONTROL OPTIONS

FABRIC OPTIONS



CHAIN

MOTOR

SPRING



D30 SILENT

ROUND

FLAT

OVAL

F4115 FLAT HD

FABRIC WRAP

BOTTOM RAIL OPTIONS

MEDIUM SYSTEM UPGRADES & OPTIONS:

S45 TO S60

WIRE GUIDE

EASY-LINK

MOUNTING RAIL

FRS VALANCE

P95 PELMET

CF90

CONTENTS

CONTROL OPTIONS

CHAIN

03 RB09 CHAIN WINDER

05 RB07/RB08 CHAIN WINDER

07 EASY-LIFT CHAIN BOOSTER

09 CHAINS & ACCESSORIES

10 CHAINS & CHILD SAFETY

- Patent protected Easy-Lock Idler with industry leading onsite adjustment.
- Optional Spring Booster decreases the user effort by up to 60%.
- Child Safe accessories available.

MOTOR

11 MOTORS | SUMMARY

12 MOTORS | CONTROLLERS

13 MOTORS | BATTERY

15 MOTORS | DC

17 MOTORS | AC

- Smart Home Automation and voice control available with the Pulse App.
- Multiple power-source configurations suitable for Commercial or Residential use.
- Wide range of Remotes & Accessories available.
- Child Safe shade control & cord-free system solution.

SPRING

19 EASY SPRING AIR

- A child-safe chain & cord-free system solution.
- Balanced system with adjustable springs.
- Optional pull stick for hard-to-reach installations.

HARDWARE

21 ALUMINIUM TUBES

- Extrusions available for all shade sizes.

22 BRACKETS | SINGLE

- Easy-Lock bracket technology simplifys the installation process.
- Compatible with all system upgrades & options.

23 BRACKETS | DOUBLE

- Combine blackout and light filtering fabrics in one installation.
- Uses the same Easy-Lock bracket technology as single brackets.

24 BOTTOM RAILS

- Multiple sizes and styles to suit all shade solutions.
- Add-ons available to simplify assembly and optimise performance.

SYSTEM UPGRADES & OPTIONS

26 S45 TO S60 ADAPTOR

- Utilise S45 hardware with S60 tube to improve shade performance.
- LX 55mm Brackets offer a larger maximum roll diameter with a slimmer aesthetic.

27 INTERNAL WIRE GUIDE

- Secure guide, aiding & controlling unwanted shade movement.

28 EASY-LINK

- Link multiple shades together while achieving a minimal light gap.
- Control multiple shades with one control unit OR use a dual control set-up.

29 MOUNTING RAIL

- Solution for off-site assembly, achieving quicker installation times.

30 FRS VALANCE

- Decorative partial fascia to conceal the shade hardware.
- Option to wrap the extrusion in the same fabric as the shade.
- Extrusion is available in multiple sizes to suit medium to large fabric rolls.

31 PELMET 95

- Decorative partial fascia to conceal the shade hardware.
- Option to wrap the extrusion in the same fabric as the shade.

32 CASSETTE FASCIA 90

- Premium decorative cover protects from dust.
- Available in Round or Square profiles.
- Optional Dim-OUT side guides for improved light blackout solution.

RB09 CHAIN WINDER

FEATURES & BENEFITS

- Patent protected snap-lock chain assembly to reduce fabrication time by up to 75%.
- Patent protected Easy-Lock Idler with industry leading on-site adjustment.
- Easy Lift Spring Booster achieves a lighter lifting solution, can also be retrofit on site.
- Heavy Duty bracket adaptor available for commercial use.
- Premium component design ensure a smooth and easy shade solution in a high polish finish.
- Chain Guide is designed for optimal double bracket user experience and the Direct Chain Guide can be installed in fixed or swivel configurations.
- RB09 Geared chain winder provides a cost-effective solution to reduce user effort by up to 40% (shade is lighter to lift).



COLOUR RANGE

- black
- pure white
- sandstone
- barley
- silver grey

WEB PAGE LINK

HARDWARE
10 YEAR WARRANTY

RB09 CHAIN WINDER OPTIONS

DIRECT

GEARED

HARDWARE CONTROLS

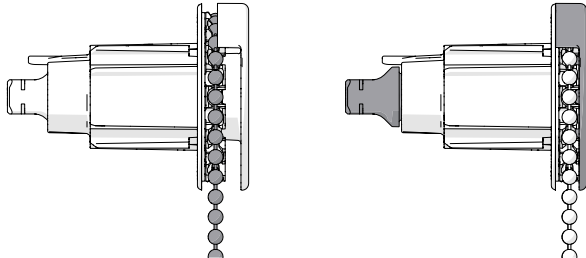
BRACKETS

TUBES

BOTTOM RAILS

KEY SYSTEM FEATURES

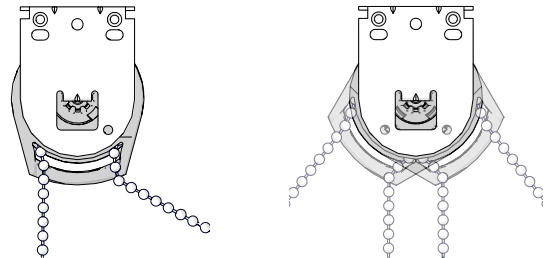
SNAP-LOCK CHAIN ASSEMBLY



1. Add Chain.

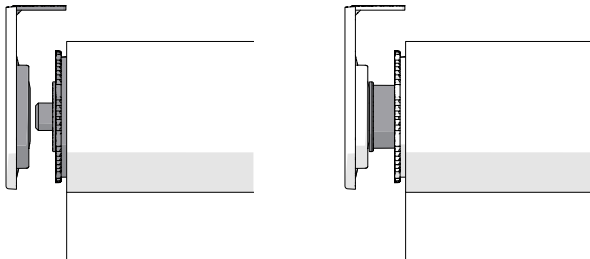
2. Push Cover In.

RB09 DIRECT | FIXED OR SWIVEL OPTIONS



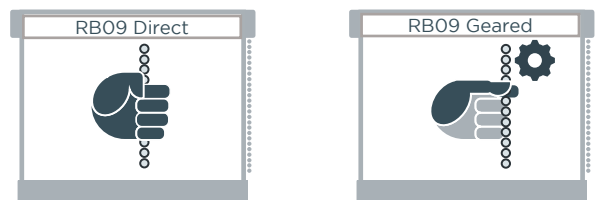
Swivel is ideal for installations above furniture & appliances.

10mm INSTALLATION ADJUSTMENT



Rotate disk clockwise to extend the pin in 1mm increments.

RB09 GEARED | ECONOMICAL LIGHTER LIFT SOLUTION



Cost effective solution to reduce user effort by up to 40%.

MEDIUM SYSTEM UPGRADES & OPTIONS:

S45 TO S60

WIRE GUIDE

EASY-LINK

MOUNTING RAIL

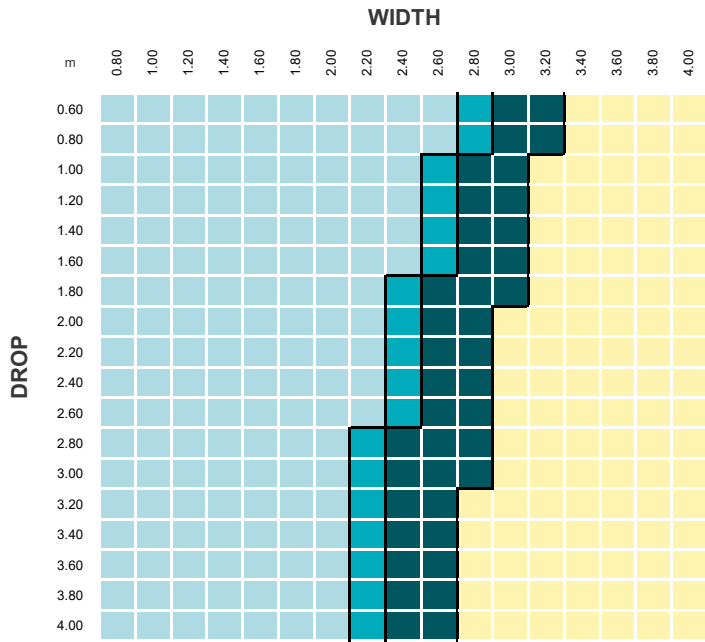
FRS VALANCE

P95 PELMET

CF90

RB09 SPECIFICATIONS

TUBE CAPACITY



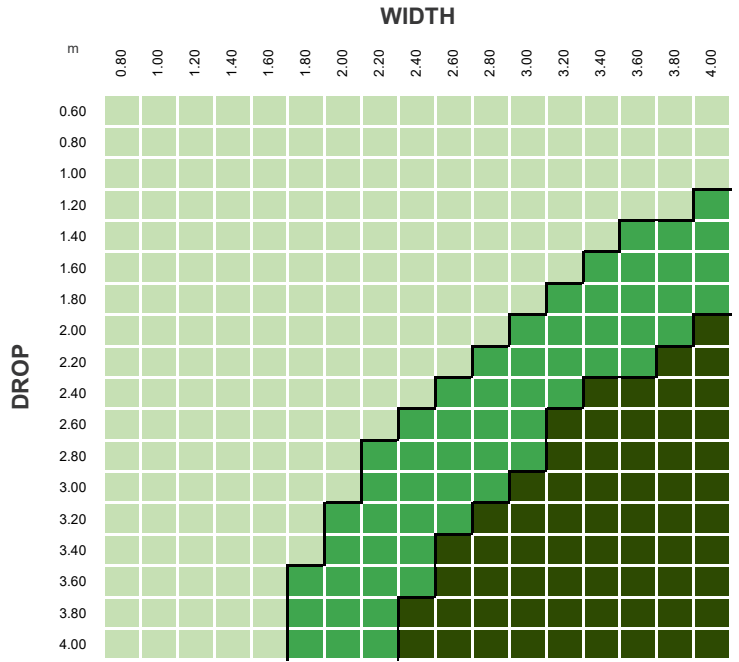
TUBES

| | |
|------------------|--|
| S45 LIGHT | |
| S45 STANDARD | |
| S45 HEAVY DUTY | |
| S45 LINKED | |

PARAMETERS:

FABRIC DENSITY: 390gsm
 FABRIC THICKNESS: 0.6mm
 WEIGHT BAR: D30 Bottom Rail
 TUBE DEFLECTION: 1.05mm/m

CONTROL CAPACITY



RB09 CONTROL

| | |
|--|-----------------------------|
| | DIRECT OR GEARED |
| | DIRECT w. BOOSTER OR GEARED |
| | BOOSTER REQUIRED |

PARAMETERS:

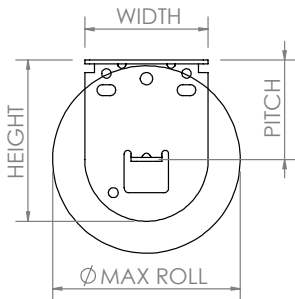
FABRIC DENSITY: 390gsm
 FABRIC THICKNESS: 0.6mm
 WEIGHT BAR: D30 Bottom Rail
 TUBE DEFLECTION: 1.05mm/m

| HOLDING CAPACITY | TUBE | | |
|------------------|--------|---------|--------|
| | S45 LT | S45 STD | S45 HD |
| RB09 | 4.7kg | 4.6kg | 4.2kg |
| STD BOOSTER | 9.1kg | 8.9kg | 8.0kg |
| HD BOOSTER | 13.3kg | 13.1kg | 11.8kg |

Operating shades at maximum holding capacity will not produce comfortable pull forces.

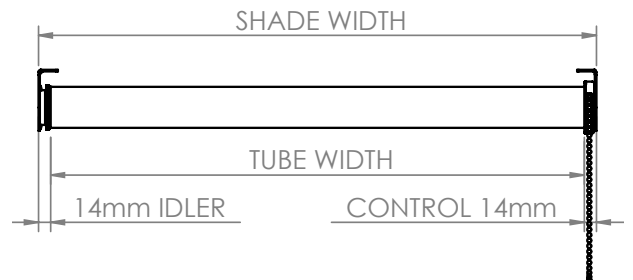
TECHNICAL DATA

| SINGLE BRACKETS | SPECIFICATIONS | | | MAX ROLL |
|-----------------|----------------|-------|--------|----------|
| | PITCH | WIDTH | HEIGHT | |
| LX | 40mm | 50mm | 65mm | 75mm |
| | 55mm | 50mm | 80mm | 105mm |



| CONTROL OPTIONS | MINIMUM SHADE WIDTH (no covers) | TUBE DEDUCTIONS | |
|-----------------|---------------------------------|-------------------|---------------------|
| | | NO BRACKET COVERS | WITH BRACKET COVERS |
| RB09 | 150mm | 28mm | 31mm |
| RB09 Geared | 150mm | | |
| + STD BOOSTER | 817mm | | |
| + HD BOOSTER | 937mm | | |

Minimum Shade Width based on 5mm gap between hardware in tube.

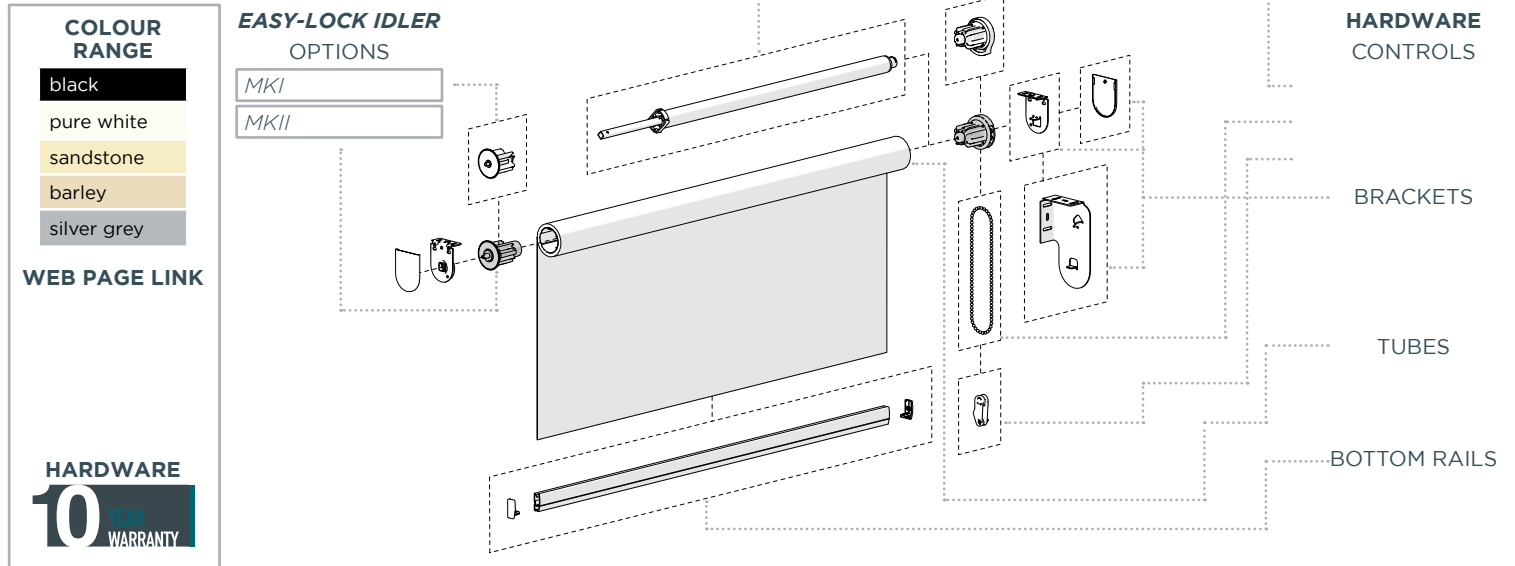


| DOUBLE BRACKETS | MAX ROLL | SLIM PROFILE TOP-FRONT Fabric Roll Options | SLIM PROFILE TOP-BACK Fabric Roll Options | SQUARE-X Fabric Roll Options | SLIMLINE-X Fabric Roll Options |
|-----------------------|----------|---|--|---------------------------------|-----------------------------------|
| SLIM PROFILE/SQUARE-X | 70mm | | | | |
| SLIMLINE-X | 65mm | | | | |

RB07/08 CHAIN WINDER

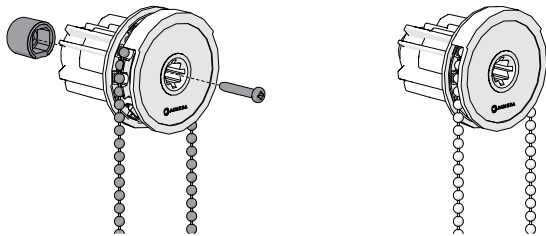
FEATURES & BENEFITS

- Easy-Lock Idler with industry leading simplified 2 step installation.
- 7mm MKII idler extension to correct mis-measured shades on site.
- The discreet release wheel on the Easy-Lock Idler allows for a simplified shade removal.
- Retro-fit an Easy Lift Chain Booster on-site to achieve a lighter lifting solution.
- Compatible with system upgrade solutions to further enhance functionality & aesthetics.
- Optional RB07 chain winder, for integrated chain diverter for smooth operation.
- Premium component design to ensure a smooth, quiet and easy shade lift solution.
- Heavy Duty bracket adaptor available for commercial use.



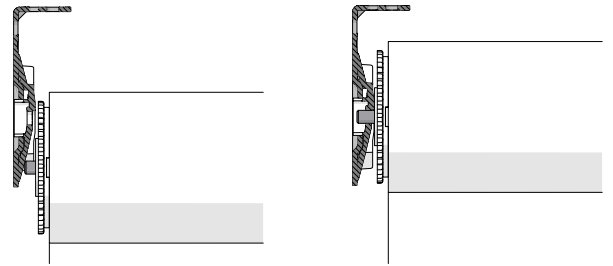
KEY SYSTEM FEATURES

CHAIN ASSEMBLY



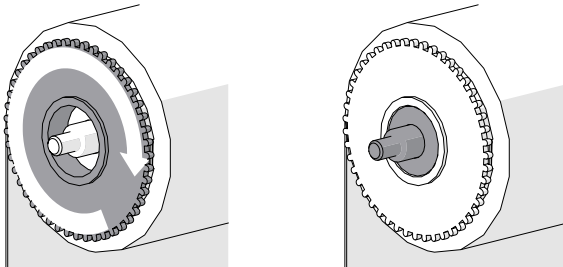
Release the chainwinder cover and add the chain.
Reassemble the chainwinder.

EASY-LOCK IDLER INSTALLATION



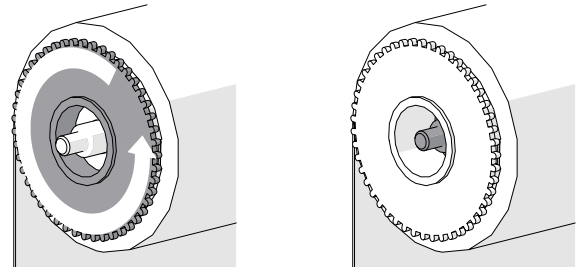
Align with bracket ramp and push into place.

MKII IDLER INSTALLATION ADJUSTMENT



Rotate disk clockwise to extend the pin 7mm.

REMOVING SHADE



Rotate disk counter clockwise to retract the pin.

SYSTEM UPGRADES

WIRE GUIDE

EASY-LINK

MOUNTING RAIL

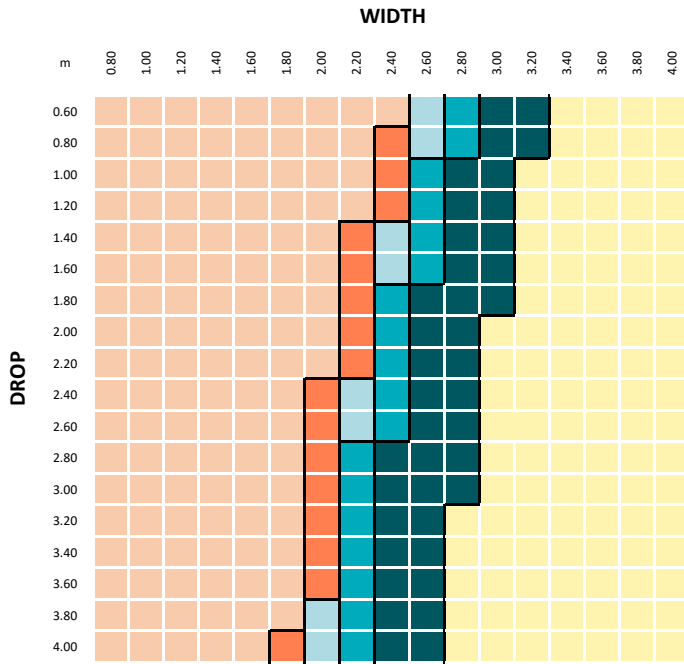
FRS VALANCE

P95 PELMET

CF90

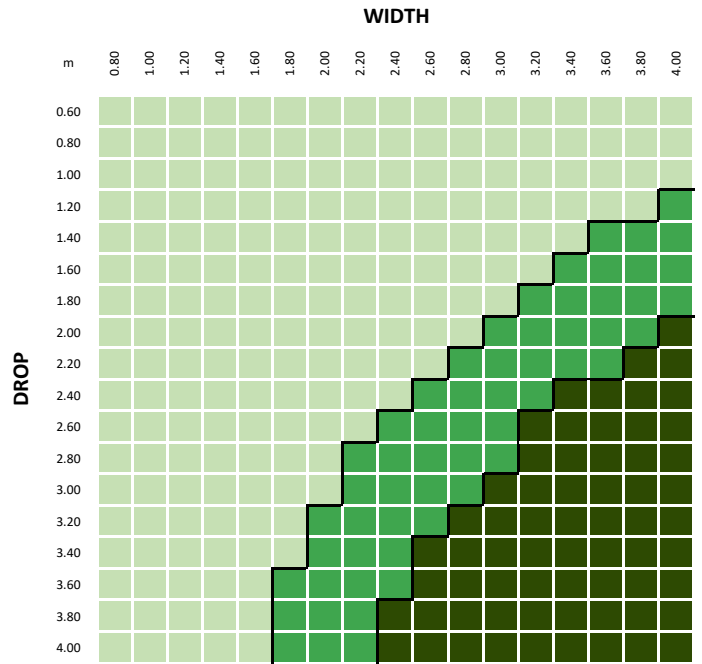
RB07/08 SPECIFICATIONS

TUBE CAPACITY



| TUBES | RB08 | PARAMETERS: |
|------------------|------|-----------------------------|
| S40 STANDARD | | FABRIC DENSITY: 390gsm |
| S40 HEAVY DUTY | | FABRIC THICKNESS: 0.6mm |
| S45 LIGHT | | WEIGHT BAR: D30 Bottom Rail |
| S45 STANDARD | | TUBE DEFLECTION: 1.05mm/m |
| S45 HEAVY DUTY | | |
| LINKED | | |

CONTROL CAPACITY



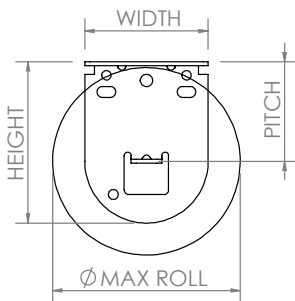
| BOOSTER | TYPE | PARAMETERS: |
|-------------|------|-----------------------------|
| OPTIONAL | | FABRIC DENSITY: 390gsm |
| RECOMMENDED | | FABRIC THICKNESS: 0.6mm |
| REQUIRED | | WEIGHT BAR: D30 Bottom Rail |

| HOLDING CAPACITY | TUBE | | | | |
|------------------|---------|--------|--------|---------|--------|
| | S40 STD | S40 HD | S45 LT | S45 STD | S45 HD |
| RB07/08 | 5.2kg | 5.1kg | 4.7kg | 4.6kg | 4.2kg |
| STD BOOSTER | 10.0kg | 9.8kg | 9.1kg | 8.9kg | 8.0kg |
| HD BOOSTER | 14.8kg | 14.4kg | 13.3kg | 13.1kg | 11.8kg |

Operating shades at maximum holding capacity will not produce comfortable pull forces.

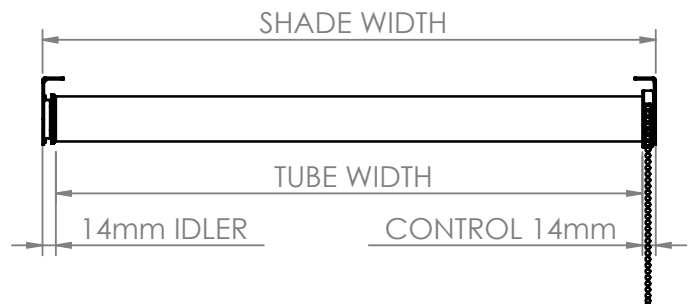
TECHNICAL DATA

| SINGLE BRACKETS | SPECIFICATIONS | | | MAX ROLL |
|-----------------|----------------|-------|--------|----------|
| | PITCH | WIDTH | HEIGHT | |
| AX | 40mm | 40mm | 60mm | 75mm |
| | 55mm | 40mm | 75mm | 105mm |
| VX | 40mm | 50mm | 65mm | 75mm |
| LX | 55mm | 50mm | 80mm | 105mm |



| CONTROL OPTIONS | MINIMUM SHADE WIDTH (no covers) | TUBE DEDUCTIONS | |
|-----------------|---------------------------------|-------------------|---------------------|
| | | NO BRACKET COVERS | WITH BRACKET COVERS |
| RB07/08 | 140mm | 28mm | 31mm |
| + STD BOOSTER | 798mm | | |
| + HD BOOSTER | 923mm | | |

Minimum Shade Width based on 5mm gap between hardware in tube.



| DOUBLE BRACKETS | MAX ROLL | SLIM PROFILE TOP-FRONT Fabric Roll Options Requires RB07 at top. | SLIM PROFILE TOP-BACK Fabric Roll Options Requires RB07 at top. | SQUARE-X Fabric Roll Options | SLIMLINE-X Fabric Roll Options |
|-----------------------|----------|--|---|---------------------------------|-----------------------------------|
| SLIM PROFILE/SQUARE-X | 70mm | | | | |
| SLIMLINE-X | 65mm | | | | |

EASY-LIFT CHAIN BOOSTER

FEATURES & BENEFITS

- The industry leading RB09 snap-lock booster attachment enables quick fabrication.
- Chain Boosters compatible with RB07/RB08/RB09 chain winders.
- Decreases user effort by up to 60%.
- Control larger linked shades with minimal effort.
- Retro-fit an Easy Lift Chain Booster on-site to achieve a lighter lifting solution.
- Standard and Heavy Duty Springs available.

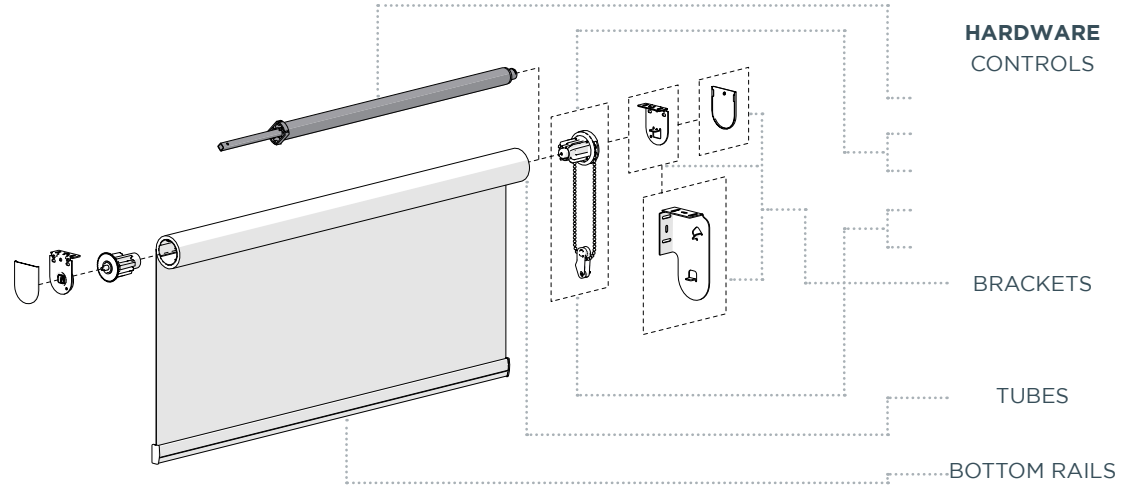


CHAIN WINDERS

RB09

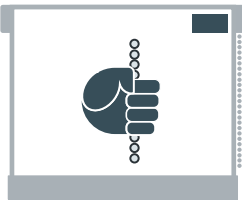
RB08/RB07

HARDWARE
10 YEAR WARRANTY

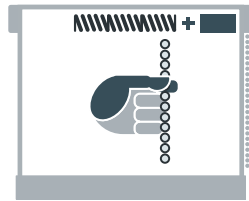


KEY SYSTEM FEATURES

SHADE FEELS UP TO 60% LIGHTER TO LIFT*



Chain winder.



Chain winder with Booster.

*Based on Rollease Acmeda's recommended user effort.

LARGER SHADES POSSIBLE

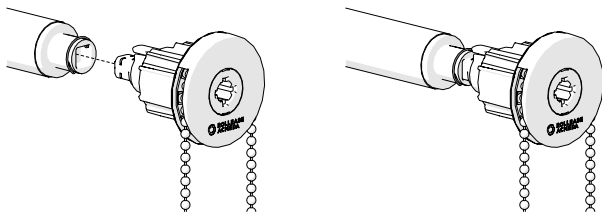


Chain winder ONLY.



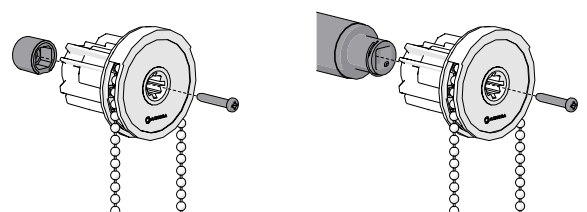
Chain winder with Booster.

RB09 SNAP-LOCK BOOSTER ASSEMBLY



Push components together to assemble.

RB07/RB08 BOOSTER ASSEMBLY



Remove cover and attach booster with chain winder screw.

SYSTEM UPGRADES

WIRE GUIDE

EASY-LINK

MOUNTING RAIL

FRS VALANCE

P95 PELMET

CF90

Page is intentionally blank.

CHAINS & ACCESSORIES

Our range of chains and accessories for roller shades includes a variety of metal and plastic chains; available either on the roll or in convenient pre-looped sizes. These are compatible with a large range of chain tensioning devices for both wall and inside recess fixing, to ensure installers comply with the industry child safety regulations.



CHAIN RANGE

PRE-LOOPED

CONTINUOUS

#10/4.5
DOUBLE BEAD
6P/48-49

WEB PAGE LINK

| MATERIAL | TYPE | PRE-LOOPED CHAIN LENGTHS | | | | | | | | | | COLOURS | | | | | |
|-----------------|----------------------|--------------------------|------|------|-------|-------|-------|-------|-------|-------|-------|-------------|------------------|-------------------|-------------------|-------------|-----------------------|
| | CONTINUOUS ROLL 150m | PRE-LOOPED CHAIN | 50cm | 75cm | 100cm | 125cm | 150cm | 175cm | 200cm | 225cm | 250cm | 050 - black | 069 - pure white | 338 - silver grey | 412 - birch white | S20 - steel | X10 - stainless steel |
| PLASTIC | ✓ | ✓ | ✓ | ✓ | ✓ | ✓ | ✓ | ✓ | ✓ | ✓ | ✓ | ✓ | ✓ | ✓ | | | |
| STEEL | ✓ | ✓ | ✓ | ✓ | ✓ | ✓ | ✓ | ✓ | ✓ | | | | | | ✓ | | |
| STAINLESS STEEL | ✓ | ✓ | ✓ | ✓ | ✓ | ✓ | ✓ | ✓ | ✓ | | | | | | | | ✓ |

CHAIN ACCESSORIES

CHAIN STOPPER

| | | |
|--------|--|---|
| BALL | | Stainless Steel/Clear Plastic For Plastic & Metal Chains. Prevents shade from wrapping over the tube or rolling past desired drop. Available in 6.35 & 8mm options. |
| BARREL | | Plastic For Plastic & Metal Chains. Prevents shade from wrapping over the tube or rolling past desired drop. Available for 8mm only. |
| WASHER | | Rubber For Plastic & Metal Chains. Stopper halts roller shade at desired height. Soft rubber minimises noise & impact. Clear finish is visually unobtrusive. |

CHAIN CONNECTOR

| | | |
|---------|--|--|
| PLASTIC | | Connects plastic length of chain into a loop. |
| METAL | | Connects metal length of chain into a loop. Available in Stainless Steel or Nickel Plated Brass. |

ASSEMBLY

IMPROVED SHADE USABILITY

AT THE TOP LIMIT POSITION, NOTE THE TOP CHAIN BALL.

ATTACH BALL STOP TO THE TOP BALL.

NOW THE SHADE CANNOT BE WOUND PAST THE TOP LIMIT.

Never pull the shade past the top limit again.

CREATE SHADE LOOPS OF ANY LENGTH

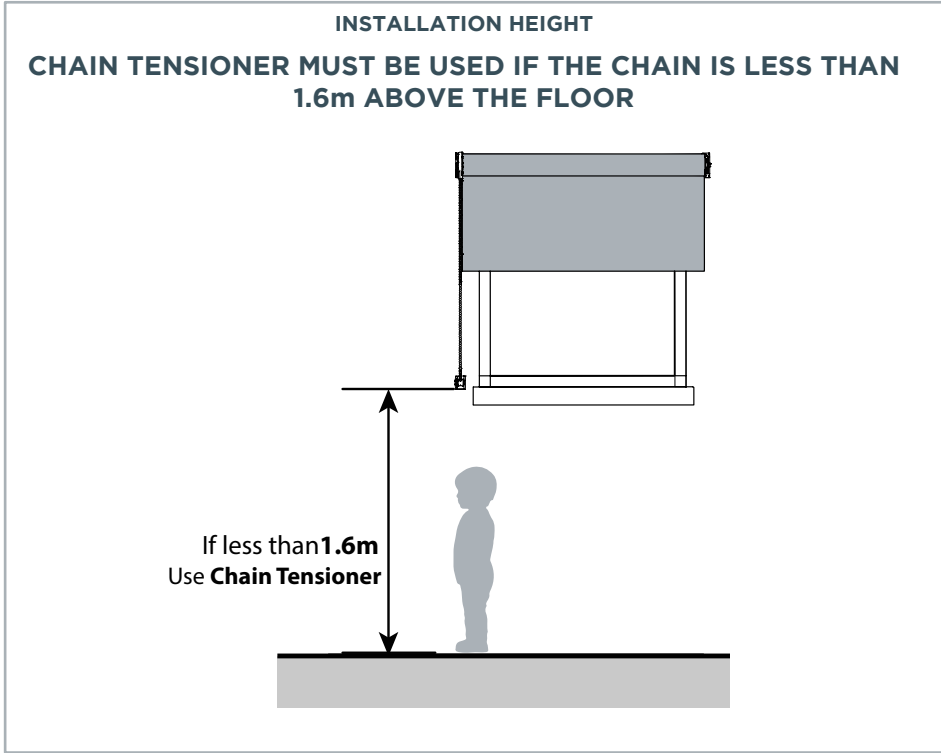
Cut chain to desired length and insert both ends into joiner.

CHAINS & CHILD SAFETY

It's easy to overlook potential hazards for children, especially when their natural curiosity can lead them to explore every crevice and corner of a home. At Rollease Acmeda, child safety is important to us, so we offer a variety of solutions to ensure every home and family is safe from hazards, loose hanging cords or chains.

The current requirements set by the Competition and Consumer (Corded Internal Window Coverings) Safety Standard 2014 states that a corded internal window covering 'must be installed in such a way that a loose cord cannot form a loop 220mm or longer at less than 1,600mm above floor level.'

Our range of products offer an innovative suite of child safe solutions that easily comply with these regulations without compromising functionality or design of window furnishings.



ACCC INSTALLATION REQUIREMENTS:

(1) A corded internal window covering must be installed: (a) in such a way that a loose cord cannot form a loop 220 mm or longer at less than 1,600 mm above floor level; and (b) using any components specified in the installation instructions as necessary to meet requirements for cord safety.

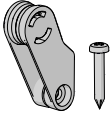
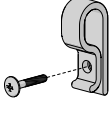
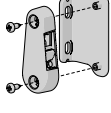
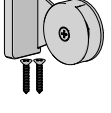
(2) A corded internal window covering must also be installed in accordance with: (a) the installation instructions on any retail packaging for the covering; and (b) other information provided in the installation instructions about how to install the corded internal window covering for the purpose of ensuring that a loose cord cannot form a loop as described in paragraph (1) (a).

(3) No part of a cord guide may be installed lower than 1,600 mm above floor level unless: (a) the cord guide will remain firmly attached to a wall or other structure specified in the installation instructions when subjected to a tension force of 70 N applied in any direction for 10 seconds; and (b) the cord is sufficiently secured or tensioned to prevent the formation of a loop 220 mm or longer.

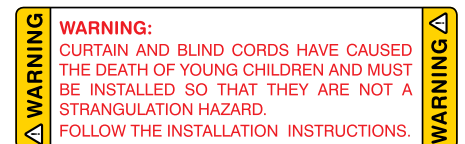
(4) A cleat used to secure a cord must be installed at least 1,600mm above floor level.

LABELLING REQUIREMENTS:

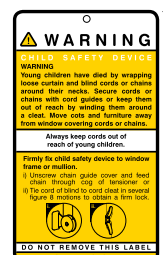
(1) A person installing a corded internal window covering must: (a) attach a label to the corded window covering containing the name and contact details of the person or company responsible for the installation; and (b) ensure that any warning label or swing tag supplied with the corded internal window covering remains attached to the cord.

| WEB PAGE LINK | FIXING | COLOURS | | | | | |
|---|--------|----------|------------|-----------|-----------------|-------------|-------------|
| | | Face Fix | Recess Fix | Floor Fix | 000/001 - clear | 050 - black | 069 - white |
| UNIVERSAL  | ✓ | ✓ | | ✓ | ✓ | ✓ | |
| HOOK  | ✓ | ✓ | | ✓ | | | |
| CHAINHOLD  | ✓ | ✓ | | | | ✓ | |
| CHAIN TENSIONER  | ✓ | | ✓ | | ✓ | ✓ | ✓ |
| | | ✓ | | | ✓ | ✓ | ✓ |











STICKER



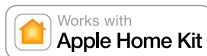
HANG TAG



MOTORS | SUMMARY

| | Li-ion | | | DC | | AC | |
|--|-----------------------------|-----|----------|---------|---------|----|---|
| | 5V ZERO | 12V | 12V ZERO | 240V E6 | 240V M6 | | |
| KEY FEATURES SUMMARY | | | | | | | |
|  SIMPLIFIED RETRO-FIT Motor can replace a chain winder without modifying the hardware, maintaining a minimal hardware gap. | ✓ | | ✓ | | | | |
|  PATENTED MOTOR HEAD DESIGN Offers the smallest light gap and antenna cable can be concealed within the motor head. | ✓ | | ✓ | | | | |
|  INNOVATIVE MOTOR CAP Optional, custom designed accessory for no visible wires. | ✓ | | ✓ | | | | |
|  ELEGANT SOFT STOP Slows the motor down prior to reaching shade limits, coming to a gradual stop. | ✓ | | ✓ | | | | |
|  MICRO USB CHARGING Custom motor charger not required. Utilise any micro USB cable and charger to renew battery. | ✓ | | | | | | |
|  CONTINUOUS POWER A continuously powered solution that has three optional 12V power sources. | | | | | ✓ | | |
|  CONTINUOUS POWER A continuously powered solution connected to the mains 240V electrical grid. | | | | | | | ✓ |
|  BATTERY CHECK When paired with Push series remotes, motor will move shade to indicate battery percentage remaining. | ✓ | | | | | | |
|  NARROW SHADE WIDTHS Shades can be made at a minimum width of 432mm and powered using external battery pack for door shading applications. | | | | | ✓ | | |
|  RELIABLE OPERATION Hardwired installation prevents interference from other devices. | | | | | | | ✓ |
| SPECIFICATIONS | | | | | | | |
| TORQUE | 0.7Nm | ✓ | | | | | |
| | 1.1Nm | ✓ | | ✓ | | | |
| | 2.0Nm | ✓ | | ✓ | | | |
| | 3.0Nm | | ✓ | | | | |
| | 6.0Nm | | | | ✓ | ✓ | |
| POWER | Lithium-ion Battery | ✓ | ✓ | | | | |
| | DC 12V Low Voltage | | | ✓ | | | |
| | AC 240V Mains | | | | ✓ | ✓ | |
| FEATURES | Zero Motor Head | ✓ | | ✓ | | | |
| | Motor Cap | ✓ | | ✓ | | | |
| | Ultra Quiet | ✓ | | ✓ | | | |
| | Elegant Soft Stop | ✓ | | ✓ | | | |
| | Battery Check Action | ✓ | | ✓ | | | |
| | Micro USB Charging | ✓ | | | | | |
| | Secure Hold | ✓ | ✓ | ✓ | | | |
| | Simplified Retro-Fit | ✓ | | ✓ | | | |
| | Bidirectional Communication | ✓ | ✓ | ✓ | ✓ | | |
| | Adjustable Speed | ✓ | ✓ | ✓ | | | |
| | Simplified Setup | ✓ | ✓ | ✓ | ✓ | | |
| | Favourite Positioning | ✓ | ✓ | ✓ | ✓ | | |
| | Precise Limit Adjustment | ✓ | ✓ | ✓ | ✓ | | |
| | Electronic Limit Setting | ✓ | ✓ | ✓ | ✓ | | |
| | Mechanical Limit Setting | | | | | | ✓ |
| ACCESSORIES | Push Remotes | ✓ | ✓ | ✓ | ✓ | | |
| | Pulse 2 Hub & App | ✓ | ✓ | ✓ | ✓ | | |
| | Wall Switch | ✓ | ✓ | ✓ | ✓ | | |
| | Solar Panel V2 | ✓ | | | | | |
| | Internal Sun Sensor | ✓ | ✓ | ✓ | ✓ | | |
| | ARC Repeater | ✓ | ✓ | ✓ | ✓ | | |
| | ARC Relay Module | ✓ | ✓ | ✓ | ✓ | | |
| | DC Power Distribution Panel | | | ✓ | | | |
| | Rechargeable Battery Pack | | | ✓ | | | |
| | Extension Cables | ✓ | ✓ | ✓ | | | |
| Wall Charger | ✓ | ✓ | | | | | |

AUTOMATE MOTORS ARE COMPATIBLE WITH THE FOLLOWING:



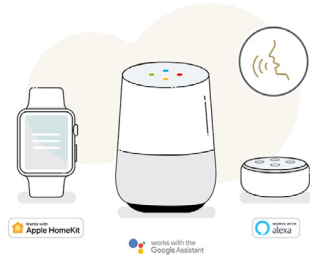
HOME AUTOMATION FEATURES

PULSE 2 APP

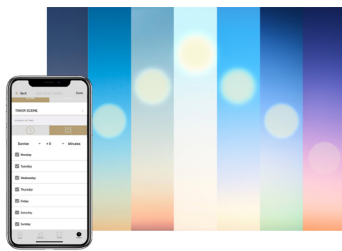


Effortless control of motorised shades when at home or away. Personalise the daily routine via groups, rooms and timers.

VOICE CONTROL



DYNAMIC SUNRISE/SUNSET FUNCTION



Set shades to follow the sun.

PULSE2 LINQ



Connect to smart home systems.

HOME AUTOMATION | PULSE 2.0

- Group Automate shades by room and conveniently control them accordingly.
- Personalise shade control and organise how your shades operate by specific daily events or scenes automatically at the optimal time.
- Roller shades, Drapery, Outdoor Shades, Awnings... control every shade type from one screen.
- Installers have access to information that assists them identify potential issues.
- The signal indicator highlights when there is no connection between the motor and the hub, to assist with troubleshooting.
- The APP is available in English, Italian, Dutch, French or German.



REMOTE CONTROLS

PUSH SERIES



Push ONE, 5 Channel, 15 Channel & Push PRO Remotes

WALL CONTROLS



1, 2 & 15 Channel Remotes

ACCESSORIES | COMMERCIAL

DC POWER DISTRIBUTION PANEL



- Power your Automate DCRF motors from a compact, central location that can service up to 18 motors.
- Easily check each individual motors power status by viewing the prominent green LED's on the DC Power Panel.
- The panel can be used with many different wire types (from 26 to 14 AWG). Any pre-wired installation may readily use DCRF motors and the Power Distribution Panel.

ACCESSORIES | GENERAL

ARC REPEATER



Extend range of ARC Protocols.

INTERNAL SUN SENSOR



Control shade with 4 preset light thresholds.

ARC RELAY TRANSMITTER

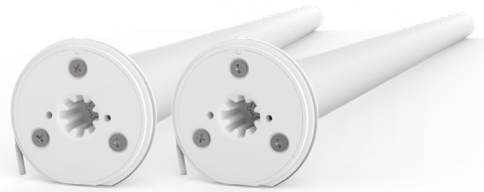


- Provide interface between third party smart home motor systems and ARC motors.
- Three contact inputs - Up, Down & Stop.
- Group Motor Control.
- Wireless control of ARC motors.
- Roller mode and Step mode for venetian motors.
- 12V or 24V power source compatible.

MOTORS | BATTERY

FEATURES & BENEFITS

- Patent ZERO motor head conceals all wires by wrapping them around the head.
- Retro-fit solution, turn manual blinds into motorised shades with ease, simply remove winder, insert motor & operate.
- Soft Stop technology which slows the blind prior to stopping.
- Micro USB 5 volt charging.
- Colour matching motor head cap conceals hardware.
- Long lasting battery - up to 500 cycles per charge.



COLOUR RANGE

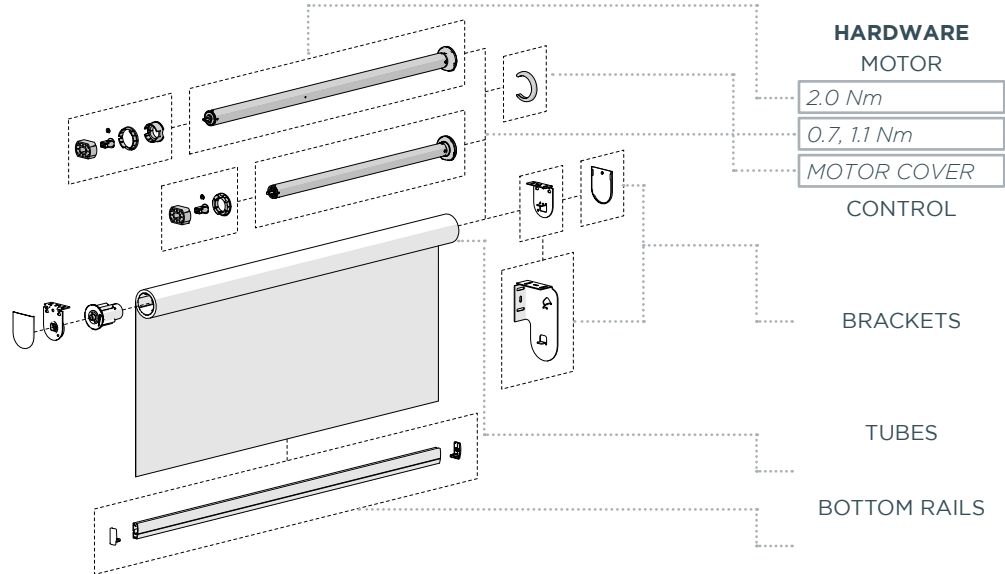
black

pure white

WEB PAGE LINK

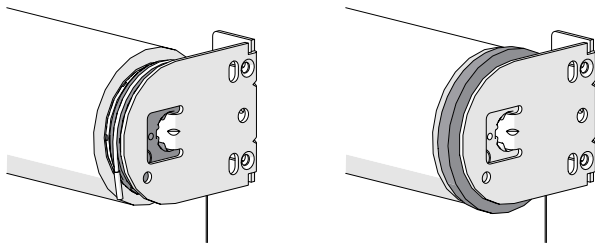
MOTOR HARDWARE

5 YEAR WARRANTY



KEY SYSTEM FEATURES

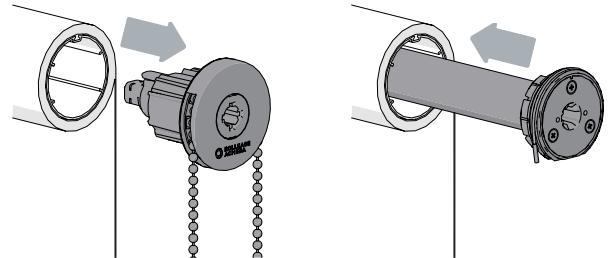
ZERO VISIBLE WIRES



The motor head has a slot which retains the antenna.

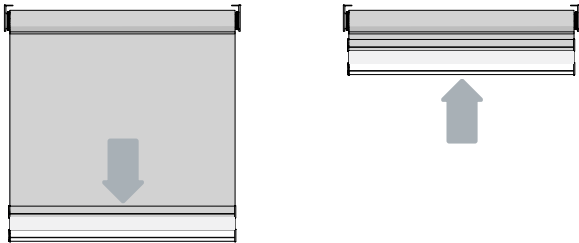
Hide the motor head with a colour matched Motor Cap.

RETRO-FIT SOLUTION



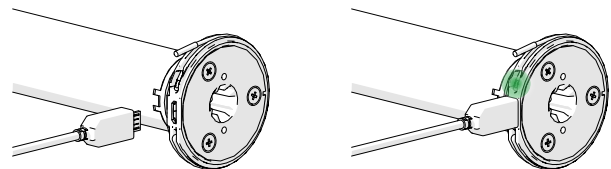
Replace a chain control with a ZERO Li-ion motor without having to change any existing hardware.

SOFT STOP



Shade gradually reduces speed when coming to a stop for ultra-smooth movement.

MICRO USB CHARGING



LED behind button will glow to indicate successful charging.

SYSTEM UPGRADES

WIRE GUIDE

EASY-LINK

MOUNTING RAIL

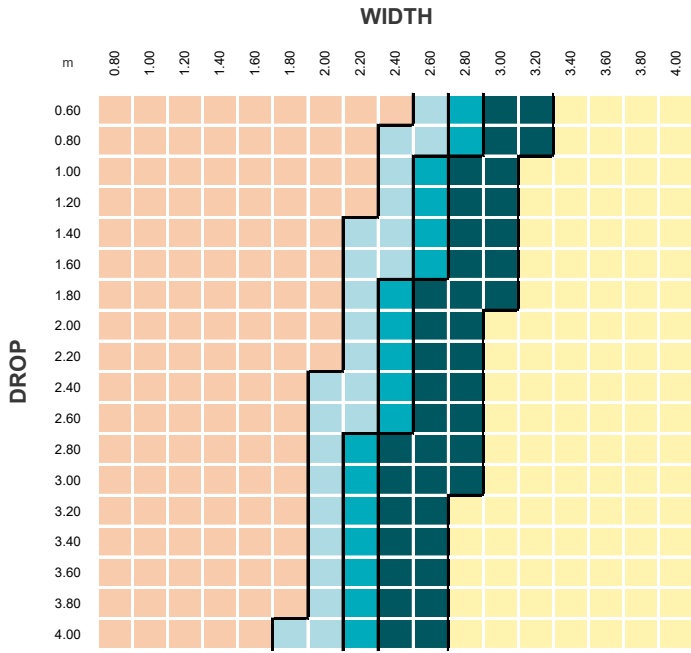
FRS VALANCE

P95 PELMET

CF90

MOTORS | BAT. SPECIFICATIONS

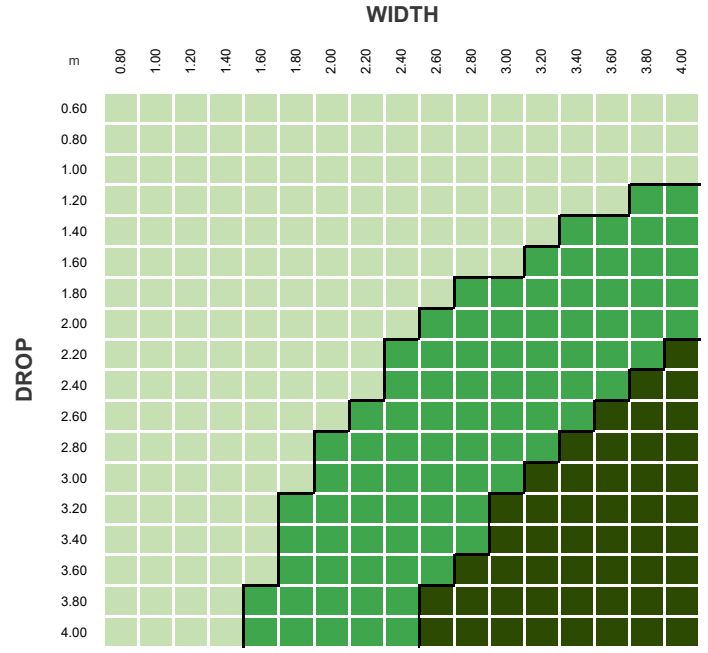
TUBE CAPACITY



| TUBES | |
|------------------|--|
| S40 STANDARD | |
| S45 LIGHT | |
| S45 STANDARD | |
| S45 HEAVY DUTY | |
| LINKED | |

PARAMETERS:
 FABRIC DENSITY: 390gsm
 FABRIC THICKNESS: 0.6mm
 WEIGHT BAR: D30 Bottom Rail
 TUBE DEFLECTION: 1.05mm/m
 NOTE: S40 IS ONLY COMPATIBLE WITH 0.7, 1.1Nm MOTORS

CONTROL CAPACITY



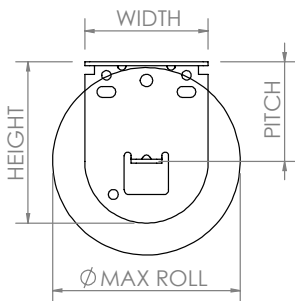
| MOTOR | |
|-----------------------|--|
| 0.7Nm | |
| 1.1Nm | |
| 2.0Nm 3.0Nm 6.0Nm | |

PARAMETERS:
 FABRIC DENSITY: 390gsm
 FABRIC THICKNESS: 0.6mm
 WEIGHT BAR: D30 Bottom Rail
 TUBE DEFLECTION: 1.05mm/m

| LIFTING CAPACITY | TUBE | | | |
|------------------|---------|--------|---------|--------|
| | S40 STD | S45 LT | S45 STD | S45 HD |
| 0.7Nm | 3.7kg | 3.3kg | 3.2kg | 2.9kg |
| 1.1Nm | 5.8kg | 5.2kg | 5.1kg | 4.6kg |
| 2.0Nm | - | 9.4kg | 9.2kg | 8.3kg |

TECHNICAL DATA

| SINGLE BRACKETS | SPECIFICATIONS | | | MAX ROLL |
|-----------------|----------------|-------|--------|----------|
| | PITCH | WIDTH | HEIGHT | |
| AX | 40mm | 40mm | 60mm | 75mm |
| | 55mm | 40mm | 75mm | 105mm |
| VX/LX | 40mm | 50mm | 65mm | 75mm |
| LX | 55mm | 50mm | 80mm | 105mm |

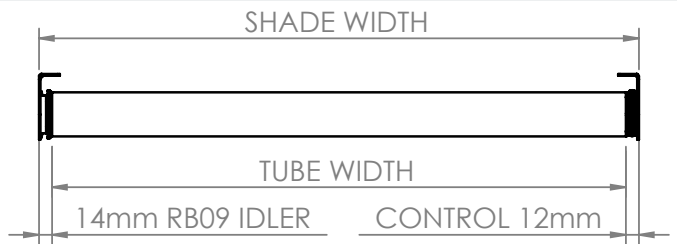


| CONTROL OPTIONS | MINIMUM SHADE WIDTH (no covers) | TUBE DEDUCTIONS | |
|-----------------|---------------------------------|-------------------|---------------------|
| | | NO BRACKET COVERS | WITH BRACKET COVERS |
| ZERO 0.7Nm | 569mm | 26mm | *28mm |
| ZERO 1.1Nm | 642mm | | |
| ZERO 2.0Nm | 739mm | | |

*Add +1mm to deductions for Motor Cover installations.

TUBE WIDTH = SHADE WIDTH - [CONTROL + IDLER]

Minimum Shade Width based on 5mm gap between hardware in tube.



| DOUBLE BRACKETS | MAX ROLL | SLIM PROFILE TOP-FRONT Fabric Roll Options | SLIM PROFILE TOP-BACK Fabric Roll Options | SQUARE-X Fabric Roll Options | SLIMLINE-X Fabric Roll Options |
|-----------------------|----------|---|--|---------------------------------|-----------------------------------|
| SLIM PROFILE/SQUARE-X | 70mm | | | | |
| SLIMLINE-X | 65mm | | | | |

MOTORS | DC

FEATURES & BENEFITS

- Low voltage continuous powered.
- Multiple power options: Power Supply, DC Power Panel, Battery Pack.
- Patent ZERO motor head conceals all wires by wrapping them around the head.
- Retro-fit solution, turn manual blinds into motorised shades with ease, simply remove winder, insert motor & operate.
- Soft Stop technology which slows the blind prior to stopping.
- Colour matching motor head cap conceals hardware.
- Smallest motorised blind width.



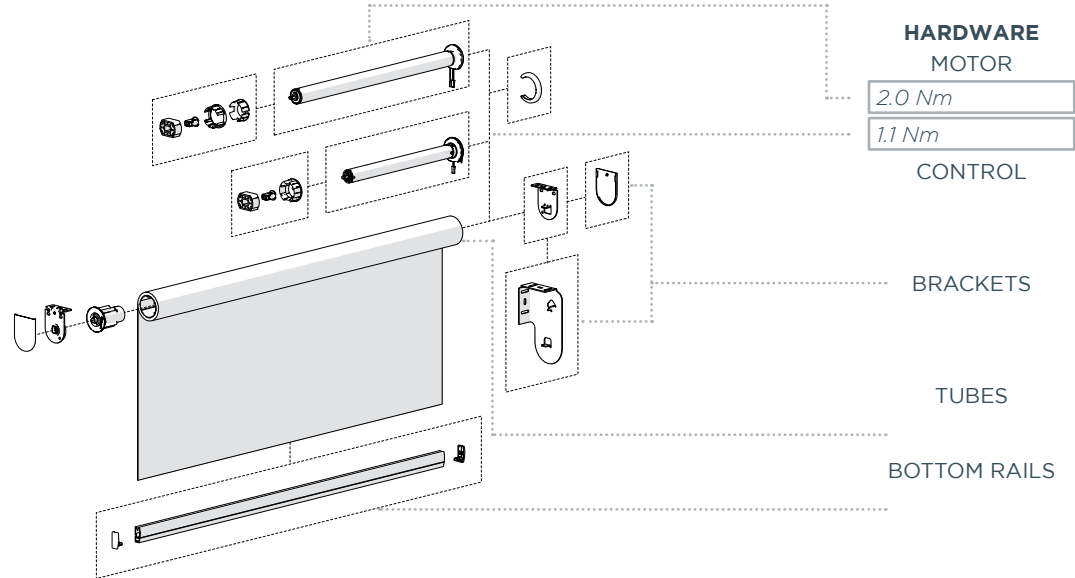
COLOUR RANGE

pure white

WEB PAGE LINK

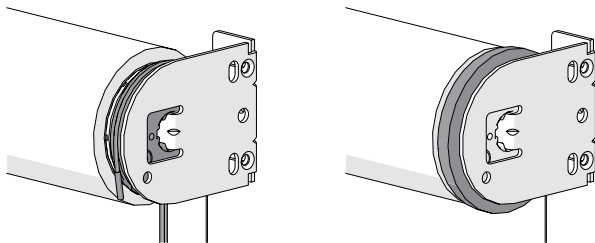
MOTOR HARDWARE

7 YEAR WARRANTY



KEY SYSTEM FEATURES

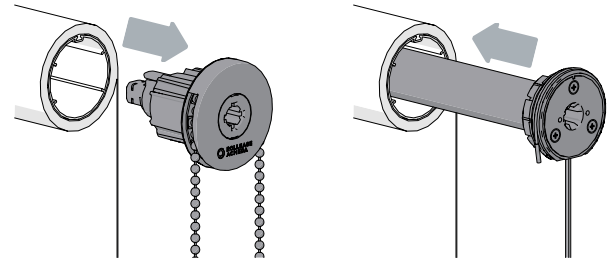
ZERO VISIBLE WIRES



The motor head has a slot which retains the antenna.

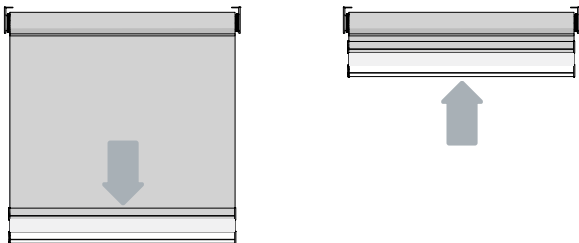
Hide the motor head with a colour matched Motor Cap.

RETRO-FIT SOLUTION



Replace a chain control with a ZERO Li-ion motor without having to change any existing hardware.

SOFT STOP



Shade gradually reduces speed when coming to a stop for ultra-smooth movement.

CHARGING OPTIONS



Power Supply

DC Power Panel

Battery Pack

SYSTEM UPGRADES

WIRE GUIDE

EASY-LINK

MOUNTING RAIL

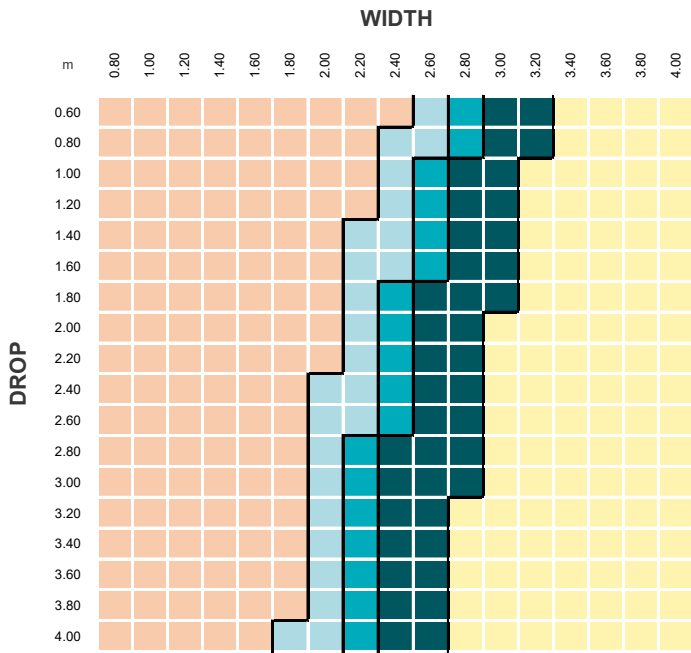
FRS VALANCE

P95 PELMET

CF90

MOTORS | DC SPECIFICATIONS

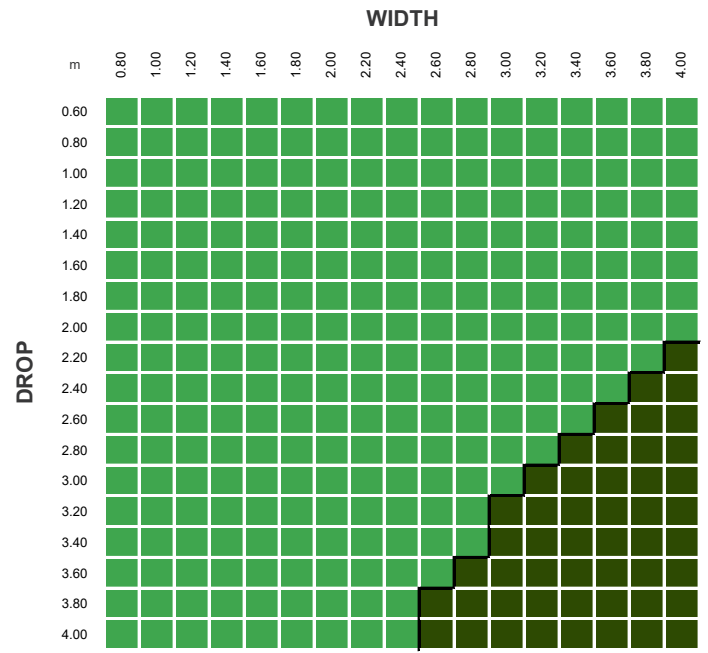
TUBE CAPACITY



| TUBES | |
|------------------|--|
| S40 STANDARD | |
| S45 LIGHT | |
| S45 STANDARD | |
| S45 HEAVY DUTY | |
| LINKED | |

PARAMETERS:
 FABRIC DENSITY: 390gsm
 FABRIC THICKNESS: 0.6mm
 WEIGHT BAR: D30 Bottom Rail
 TUBE DEFLECTION: 1.05mm/m
 NOTE: S40 IS ONLY COMPATIBLE WITH 0.7, 1.1Nm MOTORS

CONTROL CAPACITY



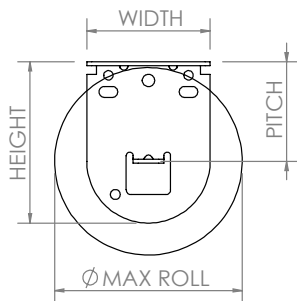
| MOTOR | |
|-----------------------|--|
| 1.1Nm | |
| 2.0Nm 3.0Nm 6.0Nm | |

PARAMETERS:
 FABRIC DENSITY: 390gsm
 FABRIC THICKNESS: 0.6mm
 WEIGHT BAR: D30 Bottom Rail
 TUBE DEFLECTION: 1.05mm/m

| LIFTING CAPACITY | TUBE | | | |
|------------------|---------|--------|---------|--------|
| | S40 STD | S45 LT | S45 STD | S45 HD |
| ZERO 1.1 Nm | 5.8kg | 5.2kg | 5.1kg | 4.6kg |
| ZERO 2.0 Nm | - | 9.4kg | 9.2kg | 8.3kg |

TECHNICAL DATA

| SINGLE BRACKETS | SPECIFICATIONS | | | MAX ROLL |
|-----------------|----------------|-------|--------|----------|
| | PITCH | WIDTH | HEIGHT | |
| AX | 40mm | 40mm | 60mm | 75mm |
| | 55mm | 40mm | 75mm | 105mm |
| VX/LX | 40mm | 50mm | 65mm | 75mm |
| LX | 55mm | 50mm | 80mm | 105mm |

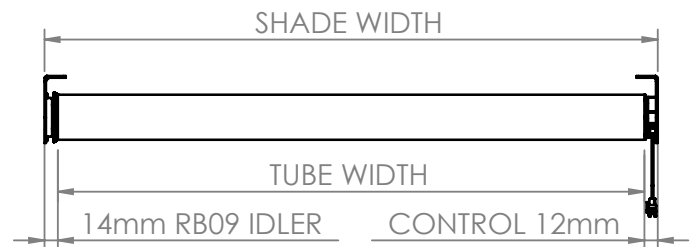


| CONTROL OPTIONS | MINIMUM SHADE WIDTH (no covers) | TUBE DEDUCTIONS | |
|-----------------|---------------------------------|-------------------|---------------------|
| | | NO BRACKET COVERS | WITH BRACKET COVERS |
| ZERO DC 1.1Nm | 432mm | 26mm | *28mm |
| ZERO DC 2.0Nm | 576mm | | |

***Add +1mm to deductions for Motor Cover installations.**

TUBE WIDTH = SHADE WIDTH - [CONTROL + IDLER]

Minimum Shade Width based on 5mm gap between hardware in tube.

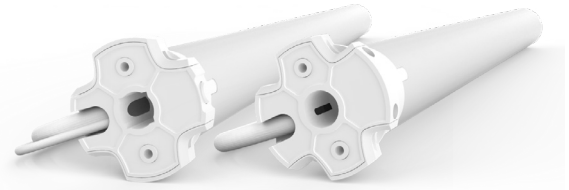


| DOUBLE BRACKETS | MAX ROLL | SLIM PROFILE TOP-FRONT Fabric Roll Options | SLIM PROFILE TOP-BACK Fabric Roll Options | SQUARE-X Fabric Roll Options | SLIMLINE-X Fabric Roll Options |
|-----------------------|----------|---|--|---------------------------------|-----------------------------------|
| SLIM PROFILE/SQUARE-X | 70mm | | | | |
| SLIMLINE-X | 65mm | | | | |

MOTORS | AC

FEATURES & BENEFITS

- Compatible with building automations system controllers.
- Control large shades with 6Nm of torque and 33rpm.
- Constant power.
- Manually set and adjust the limits of M6 motors.
- HD Adapter for double bracket installations.



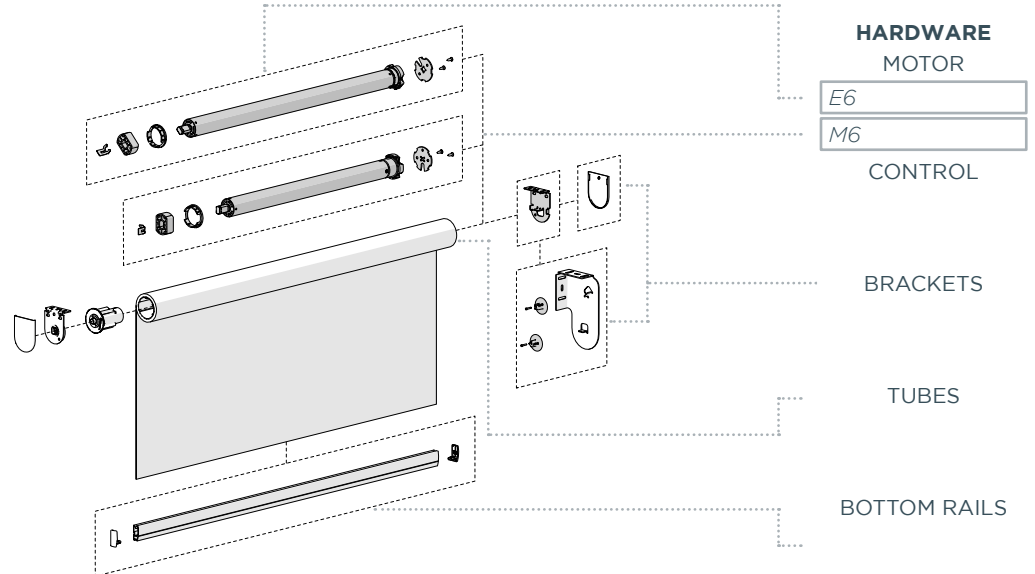
COLOUR RANGE

pure white

WEB PAGE LINK

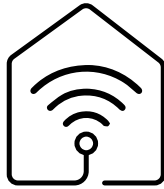
MOTOR HARDWARE

7 YEAR WARRANTY



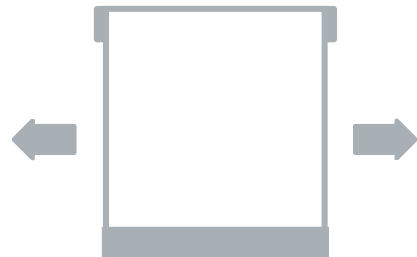
KEY SYSTEM FEATURES

BUILDING AUTOMATION SYSTEM CONTROLLERS



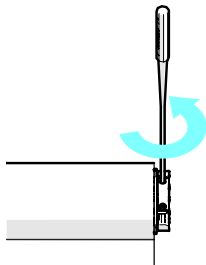
M6 AC Motor integration with smart building controllers.

ACHIEVE LARGER WINDOWS OR HEAVIER SHADES



6Nm TORQUE, 33rpm SPEED

MANUAL AUTOMATE M6 LIMIT SETTING



Manually set/adjust the limits of the M6 motor without electronic wireless controllers.

AUTOMATE E6 CONTROLLERS



Compatible with Automate ARC range of controllers.

MEDIUM SYSTEM UPGRADES & OPTIONS:

S45 TO S60

WIRE GUIDE

EASY-LINK

MOUNTING RAIL

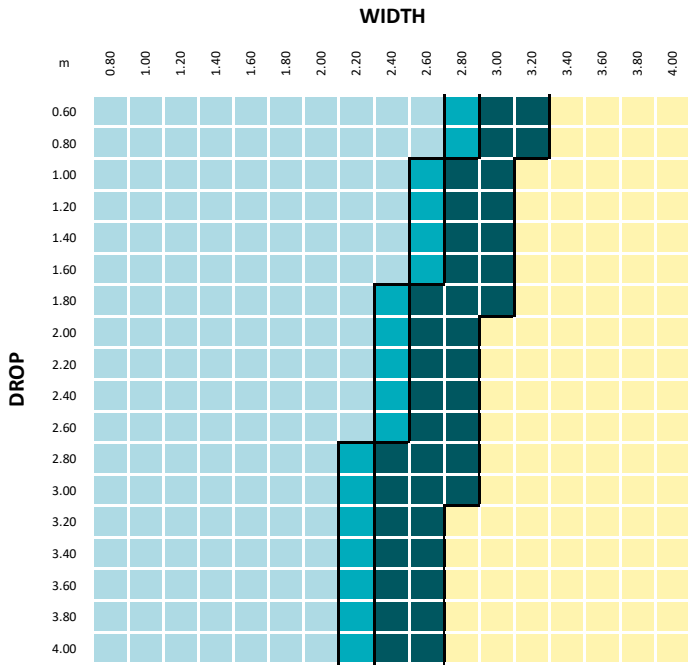
FRS VALANCE

P95 PELMET

CF90

MOTORS | AC SPECIFICATIONS

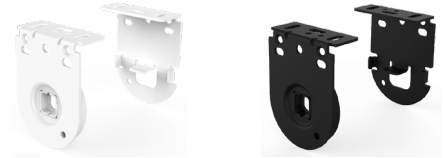
TUBE CAPACITY



| TUBES | 6.0Nm | PARAMETERS: |
|------------------|-------|-----------------------------|
| S45 LIGHT | | FABRIC DENSITY: 390gsm |
| S45 STANDARD | | FABRIC THICKNESS: 0.6mm |
| S45 HEAVY DUTY | | WEIGHT BAR: D30 Bottom Rail |
| LINKED | | TUBE DEFLECTION: 1.05mm/m |

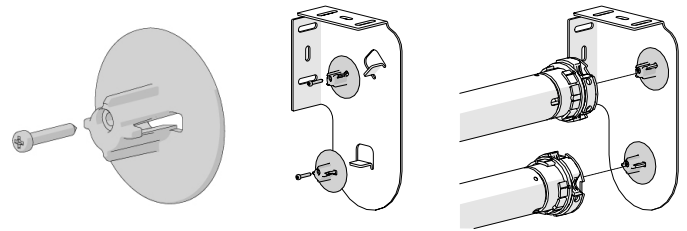
AC MOTOR DEDICATED SINGLE BRACKETS

Brackets designed to handle the increased motor capacity.



DOUBLE BRACKET COMPATIBILITY

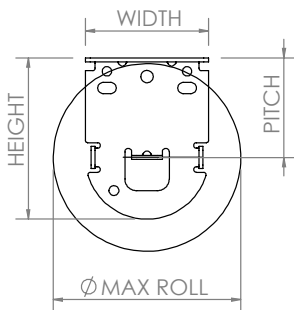
The HD Adapter increases the strength of the bracket for optimal compatibility with the Rollease Acmeda 6.0Nm motors.



| LIFTING CAPACITY | TUBE | | |
|------------------|--------|---------|--------|
| | S45 LT | S45 STD | S45 HD |
| 6Nm | 28.3kg | 27.7kg | 25.0kg |

TECHNICAL DATA

| SINGLE BRACKETS | SPECIFICATIONS | | | MAX ROLL |
|-----------------|----------------|-------|--------|----------|
| | PITCH | WIDTH | HEIGHT | |
| LX M40 RB08 | 40mm | 50mm | 65mm | 75mm |
| | 55mm | 50mm | 80mm | 105mm |
| LX M40 RB09 | 40mm | 50mm | 65mm | 75mm |
| | 55mm | 50mm | 80mm | 105mm |

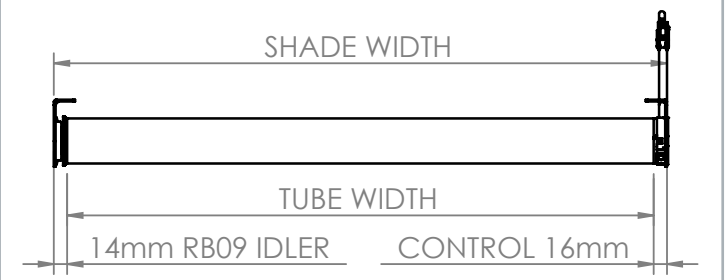


| CONTROL OPTIONS | MINIMUM SHADE WIDTH (no covers) | TUBE DEDUCTIONS | |
|-----------------|---------------------------------|-------------------|---------------------|
| | | NO BRACKET COVERS | WITH BRACKET COVERS |
| E6 | 674mm | 30mm | 32mm |
| M6 | 567mm | 30mm | 32mm |

TUBE WIDTH = SHADE WIDTH - [CONTROL + IDLER]

DOUBLE BRACKETS = ADD 2mm to all values in above table.

Minimum Shade Width based on 5mm gap between hardware in tube.



| DOUBLE BRACKETS | MAX ROLL | SLIM PROFILE TOP-FRONT Fabric Roll Options | SLIM PROFILE TOP-BACK Fabric Roll Options | SQUARE-X Fabric Roll Options | SLIMLINE-X Fabric Roll Options |
|-----------------------|----------|---|--|---------------------------------|-----------------------------------|
| SLIM PROFILE/SQUARE-X | 70mm | | | | |
| SLIMLINE-X | 65mm | | | | |

EASY SPRING AIR

FEATURES & BENEFITS

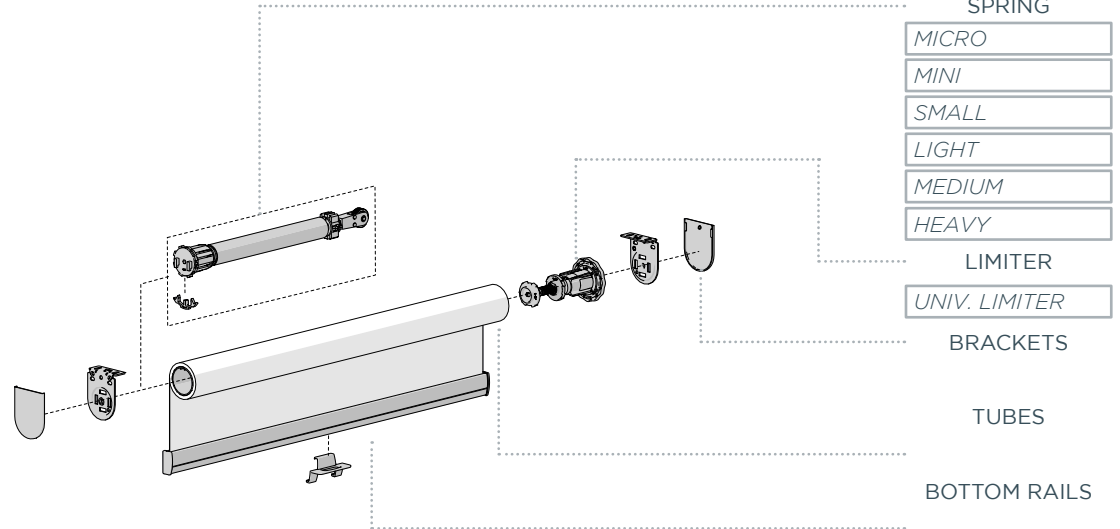
- A child-safe, chain-free shading solution.
- Intuitive operation, simply position the shade by raising or lowering the bottom rail.
- Fully adjustable spring ensures a perfectly balanced shade in every installation.
- Limiter prevents accidental pre-tension loss.
- Tension Lock securely retains pre-tension during transportation, reducing installation time.
- Can be made as narrow as 498mm, perfect for small window applications such as bathroom windows.
- The handle provides a clear visual cue for operating the shade and can also be used with a pull stick for hard-to-reach areas.



COLOUR RANGE
pure white

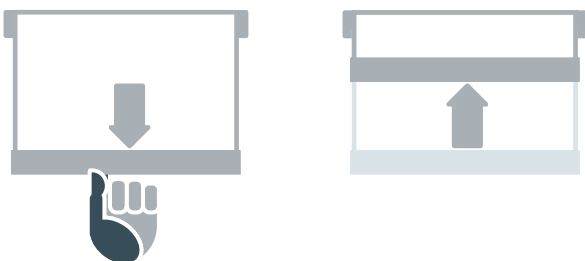
WEB PAGE LINK

HARDWARE
5 YEAR WARRANTY



KEY SYSTEM FEATURES

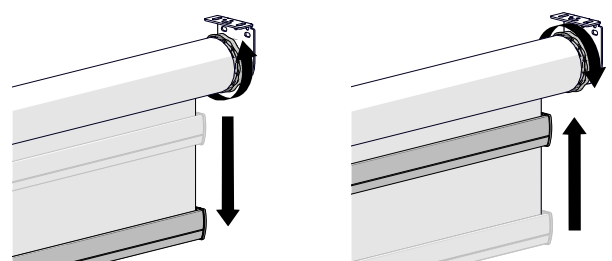
BALANCED SHADE



1. Pull Bottom Rail downwards and release at desired location.

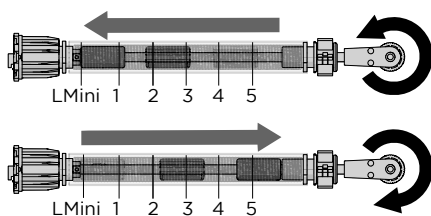
2. Raise Bottom Rail and release at desired location.

TOP LIMIT POSITION



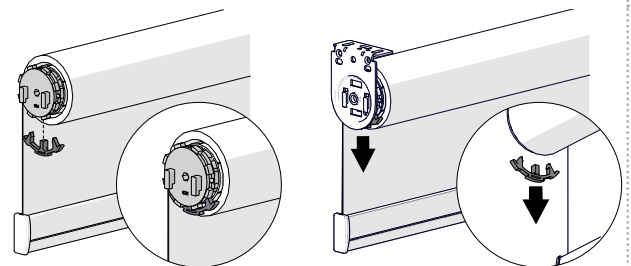
Rotate Limiter head to adjust the top limit position once installed.

ADJUSTABLE SPRING TENSION



Spring rate can be easily adjusted via the wheel to ensure a perfectly balanced shade is achieved.

TENSION LOCK FOR HANDLING



Attach Pre-Tension Retaining Clip during assembly.

Remove Pre-Tension Retaining Clip after installation.

SYSTEM UPGRADES

MOUNTING RAIL

FRS VALANCE

P95 PELMET

CF90

EASY SPRING AIR SPEC.

SYSTEM RECOMMENDATIONS

Follow system recommendations for optimal performance.

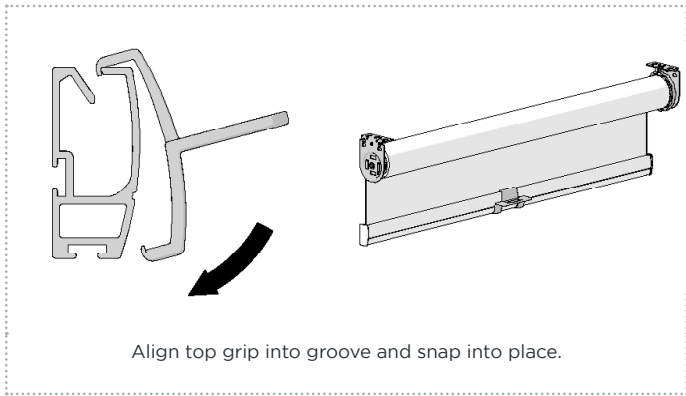
Please refer to the support documentation on the ESA product page to generate recommendations for spring selection, plug position and number of pre-turns for specific shade parameters.

Use the Roller Shade Calculator for configuring individual shades.

Use the ESA Chart Generator to generate a system chart for specific fabric, tube & bottom rail combinations.

Balanced systems perform optimally when the bottom rail weighs approximately 500g/m. Ensure the specific weight is used with the calculators.

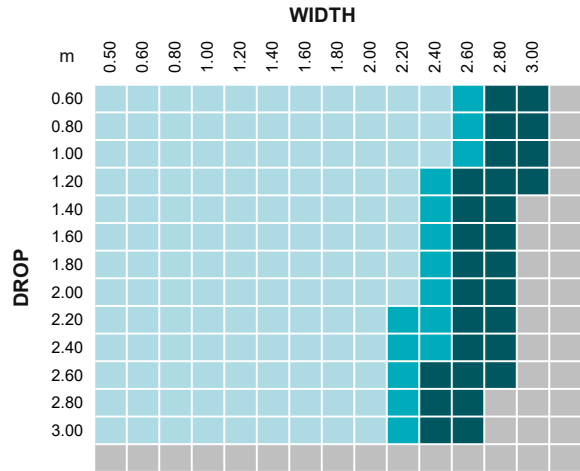
SNAP FIT HANDLE



Align top grip into groove and snap into place.

NOTE: Always operate the shade from the middle of the bottom rail.

SYSTEM CAPACITY



TUBE

| | |
|-------------------------------|-------------|
| S45 LT | Light Blue |
| S45 STD | Medium Blue |
| S45 HD | Dark Blue |
| OUTSIDE PRODUCT SPECIFICATION | |

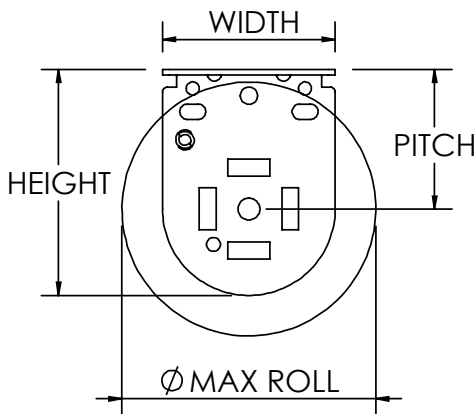
PARAMETERS:

FABRIC DENSITY: 390gsm
 FABRIC THICKNESS: 0.6mm
 WEIGHT BAR: D30 + Ballast (500g/m)

NOTE: Using alternative parameters will change the system capacity.

TECHNICAL DATA

| SINGLE BRACKETS | SPECIFICATIONS | | | MAX ROLL |
|-----------------|----------------|-------|--------|----------|
| | PITCH | WIDTH | HEIGHT | |
| LX 40mm | 40mm | 50mm | 65mm | 75mm |

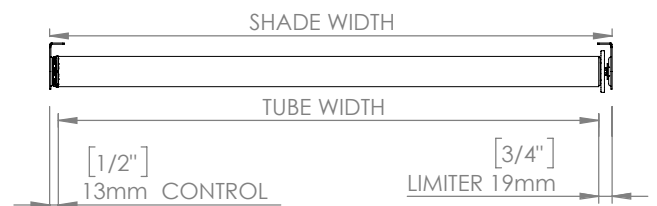


| SPRING SIZE | MINIMUM SHADE WIDTH* | TUBE DEDUCTION* |
|-------------|----------------------|-----------------|
| MICRO | 498mm | 32mm |
| MINI | 498mm | |
| SMALL | 700mm | |
| LIGHT | 700mm | |
| MEDIUM | 1010mm | |
| HEAVY | 1110mm | |

*Add +2mm for bracket covers.

TUBE WIDTH = SHADE WIDTH - [TUBE DEDUCTIONS]

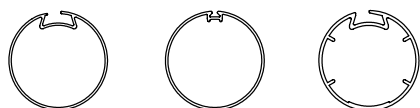
Minimum Shade Width based on 5mm gap between hardware in tube.



ALUMINIUM TUBES

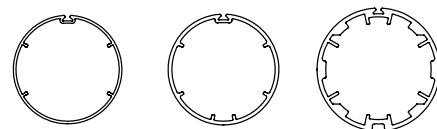
TECHNICAL DATA

S40



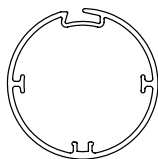
| | TYPE | 39 SPLINE | T-SPLINE | HD |
|--------------|------------------------|-----------|----------|--------|
| | O.D. | 39.0mm | 39.4mm | 40.0mm |
| | D/S TAPE | ✓ | ✓ | - |
| | T-SPLINE | - | ✓ | - |
| | 9mm FLAT SPLINE | ✓ | - | ✓ |
| CHAIN | RB07 | ✓ | ✓ | ✓ |
| | RB08 | ✓ | ✓ | ✓ |
| | RB09 | - | - | - |
| MOTOR | 0.7, 1.1Nm | - | ✓ | - |
| | 2.0,3.0,6.0Nm | - | - | - |

S45



| | TYPE | LIGHT | STD | HD |
|---------------|------------------------|--------|--------|--------|
| | O.D. | 43.0mm | 44.0mm | 49.0mm |
| | D/S TAPE | ✓ | ✓ | ✓ |
| | T-SPLINE | ✓ | ✓ | ✓ |
| | 9mm FLAT SPLINE | - | - | - |
| CHAIN | RB07 | ✓ | ✓ | ✓ |
| | RB08 | ✓ | ✓ | ✓ |
| | RB09 | ✓ | ✓ | ✓ |
| MOTOR | 0.7, 1.1Nm | ✓ | ✓ | ✓ |
| | 2.0,3.0,6.0Nm | ✓ | ✓ | ✓ |
| SPRING | ESA | ✓ | ✓ | ✓ |

S60



| | TYPE | S60 |
|--------------|------------------------|--------|
| | O.D. | 60.0mm |
| | D/S TAPE | ✓ |
| | T-SPLINE | - |
| | 9mm FLAT SPLINE | ✓ |
| CHAIN | RB07 | - |
| | RB08 | - |
| | RB09 | ✓ |
| MOTOR | 0.7, 1.1, 2.0Nm | - |
| | 3.0,6.0Nm | ✓ |

BRACKETS | SINGLE

FEATURES & BENEFITS

- Easy-Lock assembly to simplify installation.
- Available in multiple styles.
- Specialised brackets optimised & designed for specific systems.
- Colour matched bracket covers to hide hardware.
- HD Adapter increases the standard bracket's strength for larger motors.



MOUNTING SOLUTIONS



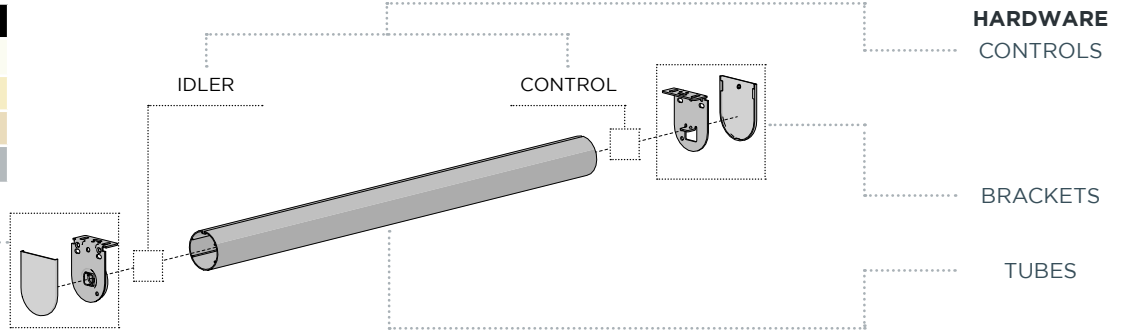
OPTIONS

40 & 55 PITCH

COVERS

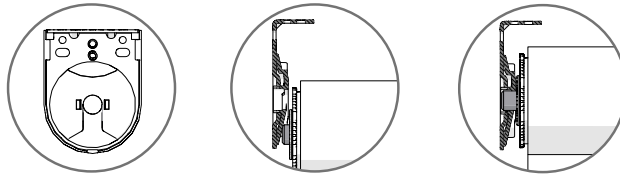
HD ADAPTER

- black
- pure white
- sandstone
- barley
- silver grey



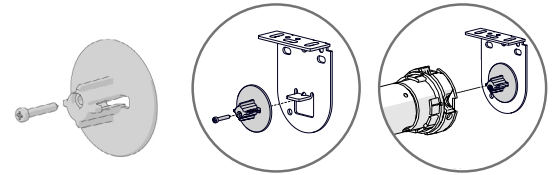
EASY-LOCK TECHNOLOGY

Slide the idler pin up the ramp located on the idler bracket. Idler pin depresses and then extends once in place - securing the shade.

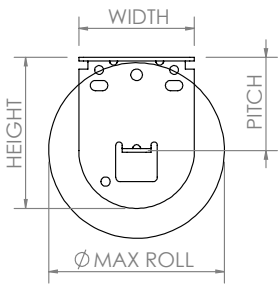


HEAVY DUTY ADAPTER

The HD Adapter is required for all 3.0Nm and 6.0Nm motors not using the LX M40 bracket series.



TECHNICAL DATA



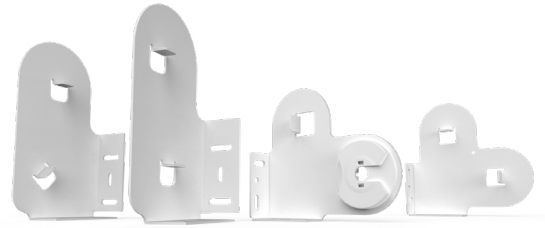
| PITCH | MAX ROLL |
|-------|----------|
| 40mm | 75mm |
| 55mm | 105mm |

| | | | BRACKET WIDTH [mm] | | BRACKET HEIGHT [mm] | | BRACKET COVERS | | WINDER | | MOTOR | | | SPRING | IDLER | | USE WITH | | | | |
|----|--|---|--------------------|------------|---------------------|----------------|----------------|------|--------------------|-----------|----------|-----|------|--------|------------|---------------|-----------|-------------|-----|------|---|
| | | | BRACKET WIDTH [mm] | PITCH [mm] | BRACKET HEIGHT [mm] | BRACKET COVERS | RB07/08 | RB09 | 0.7, 1.1, 2.0Nm 5V | 3.0Nm 12V | 6.0Nm AC | ESA | RB08 | RB09 | S45 TO S60 | MOUNTING RAIL | EASY-LINK | FRS VALANCE | P95 | CF90 | |
| AX | | A slim, Easy-Lock bracket, that is also a cost effective solution to suit narrow windows, doors or architraves. | 40 | 40 | 60 | ✓ | ✓ | ✓ | ✓ | | | | | | | | | | | | |
| | | | | 55 | 75 | ✓ | ✓ | ✓ | ✓ | | | | | ✓ | ✓ | ✓ | | | | | |
| VX | | Easy-Lock bracket that provides a clean silhouette to match hardware when seen without bracket covers. | 50 | 40 | 65 | ✓ | ✓ | ✓ | ✓ | | | | | | | | | | | ✓ | ✓ |
| LX | | Standard Easy-Lock brackets available in two visual styles, provides a refined, finished aesthetic. | 50 | 40 | 65 | ✓ | ✓ | ✓ | ✓ | | | | | | | | | | | ✓ | ✓ |
| | | | | 55 | 80 | ✓ | ✓ | ✓ | ✓ | | | | | ✓ | ✓ | ✓ | | | | | |
| LX | | LX Skyline has been optimised for use with Easy Spring controls. | 50 | 40 | 65 | ✓ | | | | | | | | ✓ | | | | | | ✓ | ✓ |

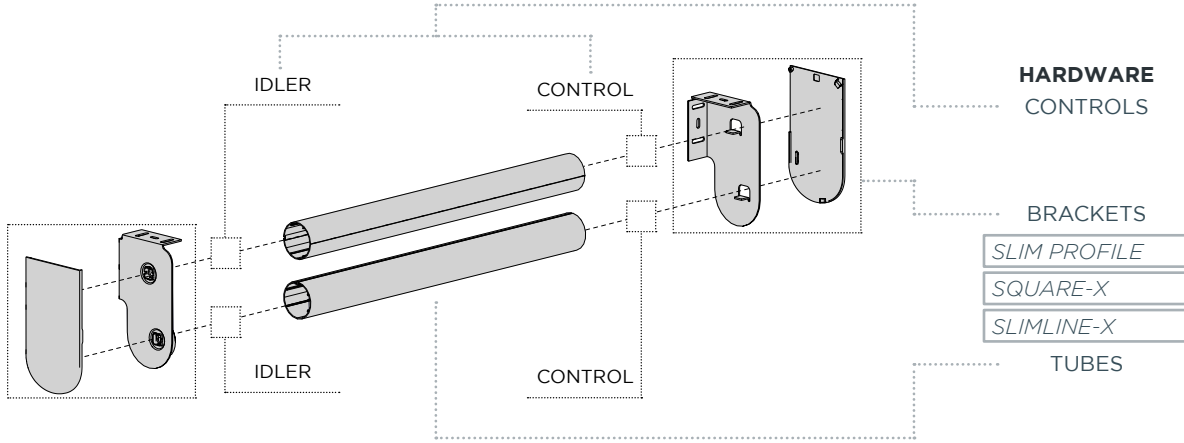
BRACKETS | DOUBLE

FEATURES & BENEFITS

- Combine sheer fabric and block-out fabric in one installation.
- Ultimate privacy while still allowing light into any given room.
- Easy-Lock assembly to simplify installation.
- Available in multiple configurations for every application.
- HD Adapter increases the standard bracket's strength for larger motors.
- Bracket covers offer a finished solution for Slim Profile double brackets.



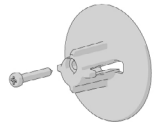
MOUNTING SOLUTIONS



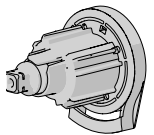
COLOUR RANGE

- black
- pure white
- sandstone
- barley
- silver grey

OPTIONS



HD ADAPTER



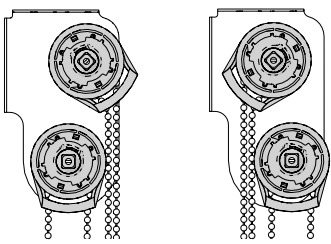
RB09 Direct with Chain Guide

FABRIC ORIENTATION

| SLIM PROFILE TOP-FRONT | SLIM PROFILE TOP-BACK | SQUARE-X | SLIMLINE-X |
|--------------------------|-------------------------|----------|------------|
| | | | |

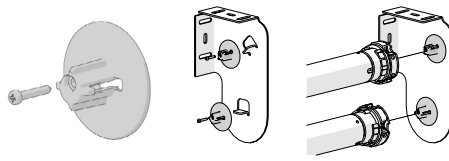
TECHNICAL DATA

SLIM PROFILE WITH RB09:
TOP FRONT TOP BACK



INCREASED DOUBLE BRACKET
CAPACITY WITH THE HD ADAPTER

The HD Adapter is required for all 3.0Nm and 6.0Nm motors.



| | | | MAX ROLL SIZE (x2) | BRACKET COVERS | WINDER | | MOTOR | MOTOR & HD ADAPTER | IDLER | | UPGRADE |
|-------------------------------|--|---|--------------------|----------------|---------|------|-------|--------------------|--------------------|-----------|---------|
| | | | | | RB07/08 | RB09 | | | 0.7, 1.1, 2.0Nm 5V | 3.0Nm 12V | |
| SLIM PROFILE TOP FRONT | | Top Front configured brackets use front over-rolled fabric to conceal both rolls. The Top Front chain control is installed on a 45° angle for improved operating experience. | 70mm | ✓ | ✓ | ✓ | ✓ | ✓ | ✓ | ✓ | ✓ |
| SLIM PROFILE TOP BACK | | Slim profile bracket has both controls located on the same side to minimise footprint in living space. Top Back configured brackets have the back roll at the top for optimum light blocking. | 70mm | ✓ | ✓ | ✓ | ✓ | ✓ | ✓ | ✓ | ✓ |
| SQUARE-X | | Square profile bracket with both tube controls located on the same bracket side. | 70mm | ✓ | ✓ | ✓ | ✓ | ✓ | ✓ | ✓ | ✓ |
| SLIM-LINE-X | | Square profile bracket with controls located on the opposite sides. Separating one chain control to each side simplifies operation for the user. | 65mm | ✓ | ✓ | ✓ | ✓ | ✓ | ✓ | ✓ | ✓ |

BOTTOM RAILS

FEATURES & BENEFITS

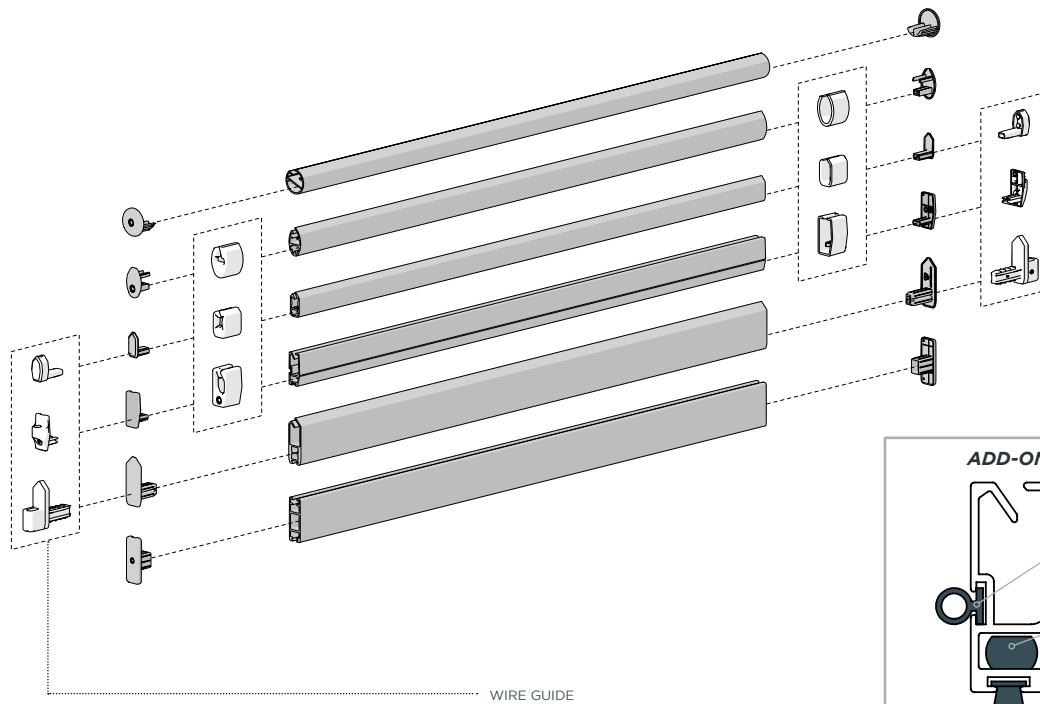
- Variety of sizes to suit all shade solutions.
- Multiple add-ons available to customise installation.
- Ends caps suitable to specific upgrades.
- Feed funnels available to assist in assembly.



COLOURS
REFER TO
CATALOGUE

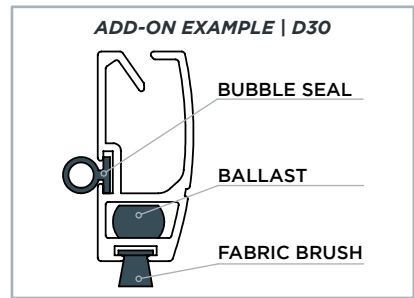
OPTIONS

- BUBBLE SEAL
- FABRIC BRUSH
- BALLAST
- FABRIC WRAP

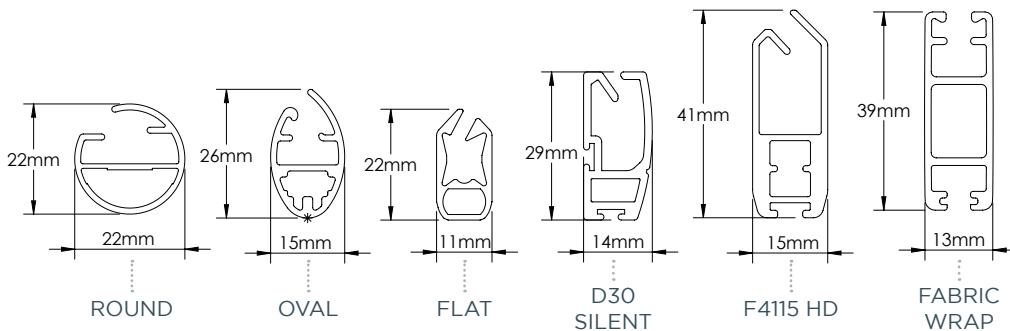


HARDWARE
BOTTOM RAILS

| |
|-------------|
| ROUND |
| OVAL |
| FLAT |
| D30 SILENT |
| F4115 HD |
| FABRIC WRAP |

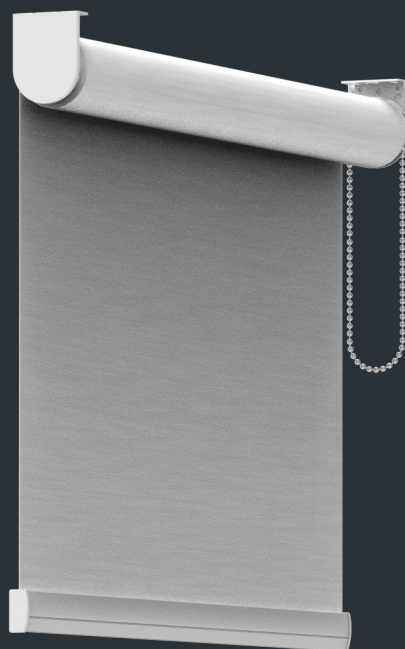


TECHNICAL DATA



| | | Bottom Rail COMPATIBILITY | | | | | | | | | | |
|--------------------------------|---|---------------------------|-------------------|--------------------|--------------------|------------------------|-------------|---------|--------------|-------------|---------|---------------------|
| | | FLAT SPLINE 8.7mm | FLAT SPLINE 9mm | FLAT SPLINE 10mm | FLAT SPLINE 15mm | FABRIC FEEDING FUNNELS | FABRIC WRAP | BALLAST | FABRIC BRUSH | BUBBLE SEAL | DIM-OUT | WIRE GUIDE END CAPS |
| ROUND BOTTOM RAIL | Round aesthetic. | | | | ✓ | | | ✓ | | | | |
| OVAL BOTTOM RAIL | Oval aesthetic. | | | ✓ | | ✓ | | ✓ | | | | |
| FLAT BOTTOM RAIL | Compact & small square design. | | | ✓ | | ✓ | | ✓ | | | ✓ | ✓ |
| D30 SILENT BOTTOM RAIL | Premium solution. Fabric brush & bubble seal compatible to reduces noise and light gap. | | | | ✓ | ✓ | | ✓ | ✓ | ✓ | ✓ | ✓ |
| F4115 HD BOTTOM RAIL | Additional weight ballast achieves optimal fabric performance. | | | | ✓ | | | ✓ | ✓ | ✓ | ✓ | ✓ |
| FABRIC WRAP BOTTOM RAIL | Suitable for fabric wrap solutions. | ✓ | ✓ | | | | ✓ | ✓ | | | | |

SYSTEM UPGRADES & OPTIONS



SYSTEM UPGRADES & OPTIONS

| | |
|--------------------------------------|---|
| <p>26 S45 TO S60 ADAPTOR</p> | <ul style="list-style-type: none"> • Utilise S45 hardware with S60 tube to improve shade performance. • LX 55mm Brackets offer a larger maximum roll diameter with a slimmer aesthetic. |
| <p>27 INTERNAL WIRE GUIDE</p> | <ul style="list-style-type: none"> • Secure guide, aiding & controlling unwanted shade movement. |
| <p>28 EASY-LINK</p> | <ul style="list-style-type: none"> • Link multiple shades together while achieving a minimal light gap. • Control multiple shades with one control unit OR use a dual control set-up. |
| <p>29 MOUNTING RAIL</p> | <ul style="list-style-type: none"> • Solution for off-site assembly, achieving quicker installation times. |
| <p>30 FRS VALANCE</p> | <ul style="list-style-type: none"> • Decorative partial fascia to conceal the shade hardware. • Option to wrap the extrusion in the same fabric as the shade. • Extrusion is available in multiple sizes to suit medium to large fabric rolls. |
| <p>31 PELMET 95</p> | <ul style="list-style-type: none"> • Decorative partial fascia to conceal the shade hardware. • Option to wrap the extrusion in the same fabric as the shade. |
| <p>32 CASSETTE FASCIA 90</p> | <ul style="list-style-type: none"> • Premium decorative cover protects from dust. • Available in Round or Square profiles. • Optional Dim-OUT side guides for improved light blackout solution. |

S45 TO S60 ADAPTOR

FEATURES & BENEFITS

- Utilise S45 hardware with S60 tubes to improve shade performance up to 3.4m x 2.4m.
- S45 55mm pitch LX Brackets achieve a larger roll diameter with a slimmer aesthetic.
- Use with 3.6m lengths of S60 Taped tube to reduce wastage.



MOUNTING SOLUTIONS

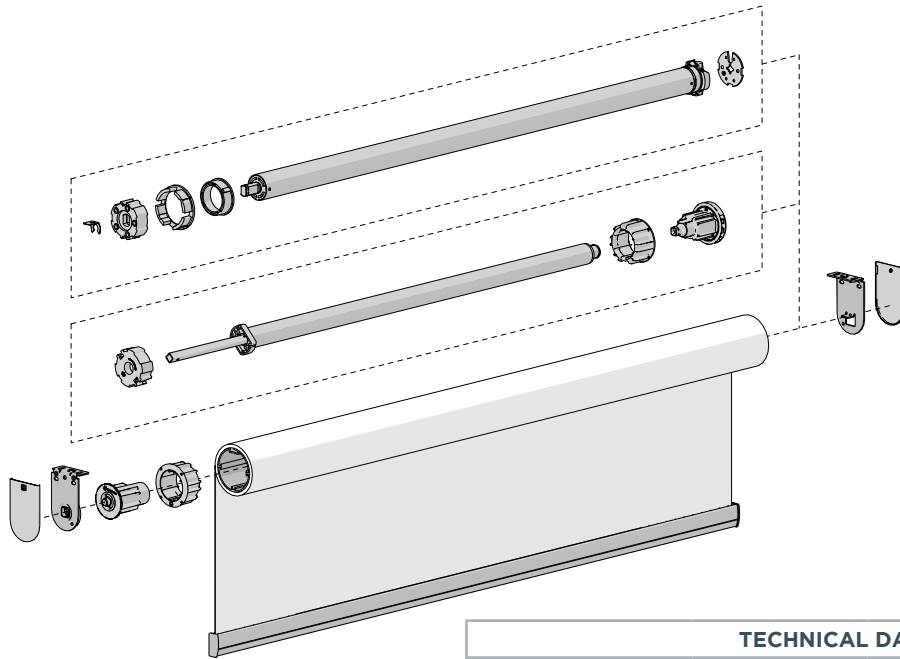


COLOUR RANGE

- black
- pure white
- sandstone
- barley
- silver grey

WEB PAGE LINK

SYSTEM UPGRADES



10 YEAR WARRANTY

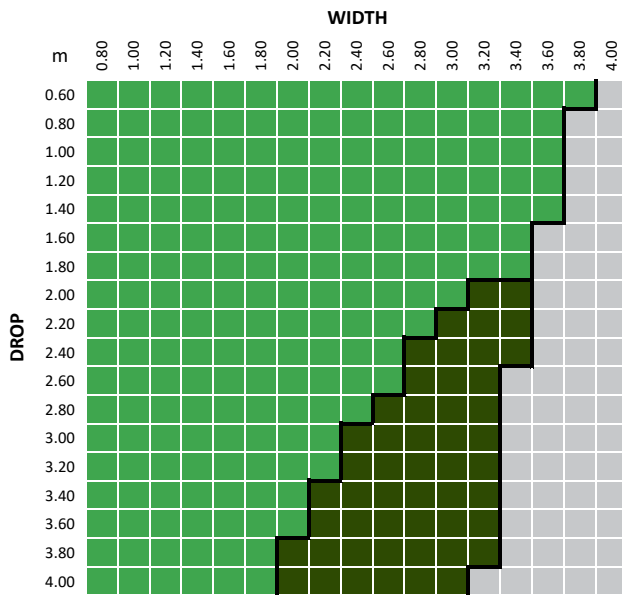
HARDWARE CONTROLS

BRACKETS

TUBES

BOTTOM RAILS

SYSTEM CAPACITY



BOOSTER

RECOMMENDED

REQUIRED

***OUTSIDE SPECIFICATIONS**

PARAMETERS:

FABRIC DENSITY: 390gsm

FABRIC THICKNESS: 0.6mm

WEIGHT BAR: D30 Bottom Rail

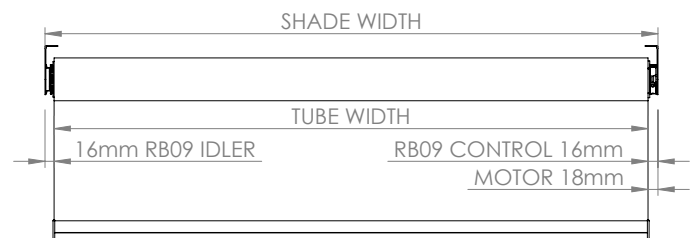
TUBE DEFLECTION: 1.05mm/m

TECHNICAL DATA

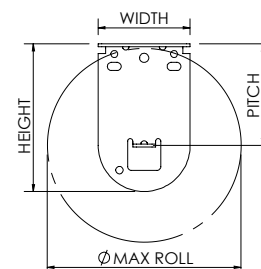
| CONTROL OPTIONS | MINIMUM SHADE WIDTH (no covers) | TUBE DEDUCTIONS | |
|-------------------|---------------------------------|-------------------|---------------------|
| | | NO BRACKET COVERS | WITH BRACKET COVERS |
| RB09 + HD BOOSTER | 941mm | 32mm | 35mm |
| Li-ion 3.0Nm | 943mm | | |
| E6 | 674mm | 34mm | 36mm |
| M6 | 568mm | | |

TUBE WIDTH = SHADE WIDTH - [CONTROL + IDLER]

Minimum Shade Width based on 5mm gap between hardware in tube.



| SINGLE BRACKETS | PITCH | WIDTH | HEIGHT | MAX ROLL |
|-----------------|-------|-------|--------|----------|
| LX/LX M40 | 55mm | 50mm | 80mm | 105mm |



INTERNAL WIRE GUIDE

FEATURES & BENEFITS

- Secure guide, aiding & controlling unwanted movement.
- Tensioners available to suit Top or Face mount.
- Crimping & Wire cutting tools available.
- Wire mounting brackets can be mounted outside the bracket for a larger max roll or inside the bracket to reduce the visual footprint.



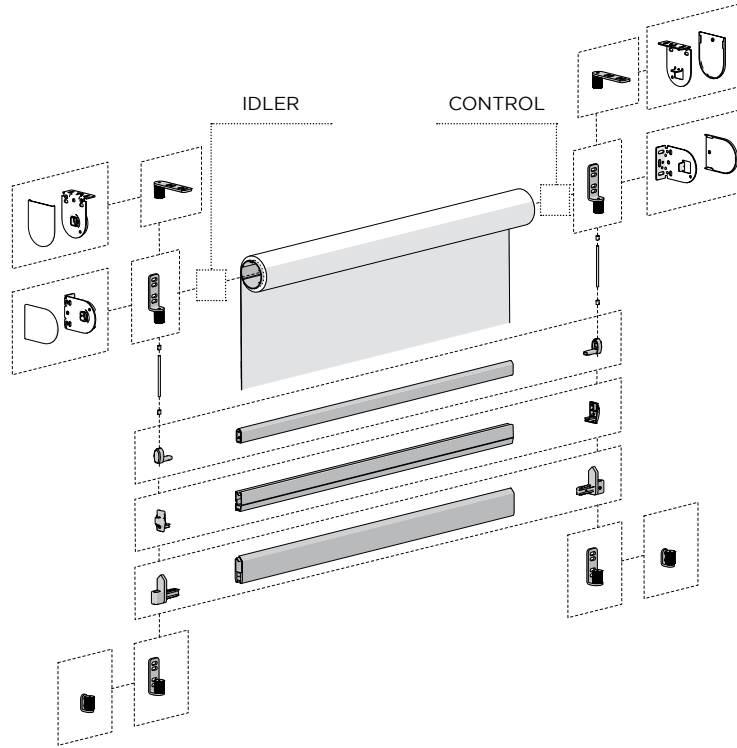
MOUNTING SOLUTIONS



COLOUR RANGE

- black
- pure white
- sandstone
- silver grey

WEB PAGE LINK



10 YEAR WARRANTY

HARDWARE MOUNTING

TOP
FACE

CONTROLS

BRACKETS

TUBES

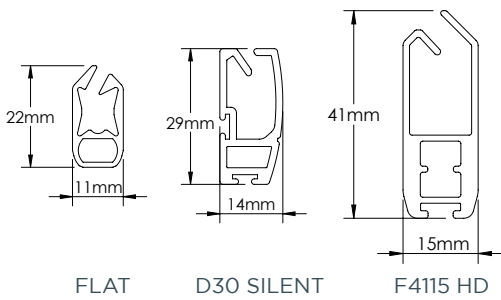
TOOLS

CRIMPING

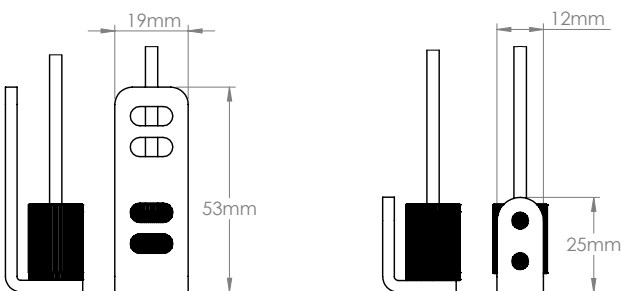
WIRE CUTTING

KEY SYSTEM FEATURES

BOTTOM RAILS

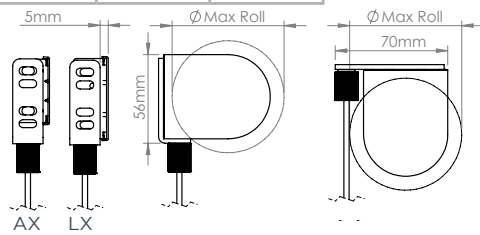
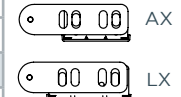


MOUNTING OPTIONS

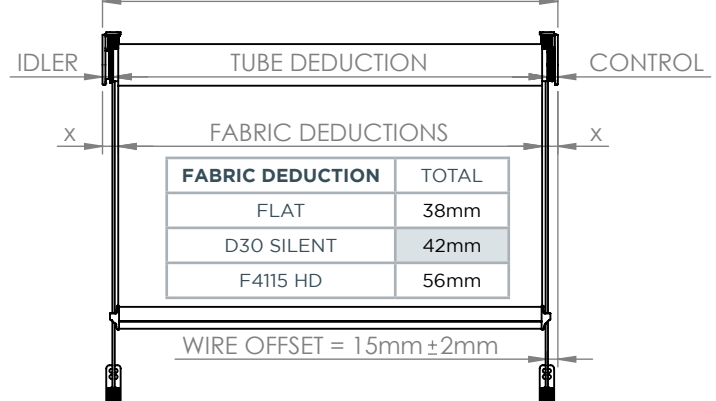


TECHNICAL DATA

| Wire Guide Bracket Location | MAX ROLL | |
|-----------------------------|----------|----------|
| | AX BRKT. | LX BRKT. |
| Inside Bracket | 70mm | 65mm |
| Outside Bracket | 75mm | 70mm |



STANDARD SHADE WIDTH



| FABRIC DEDUCTION | TOTAL |
|------------------|-------|
| FLAT | 38mm |
| D30 SILENT | 42mm |
| F4115 HD | 56mm |

EASY-LINK

FEATURES & BENEFITS

- Control multiple shades simultaneously.
- Optional adaptor plug allowing for independent shade control, if required.
- Minimal 18mm light gap between shades.
- Roller bearing ensures quiet & smooth operation.



MOUNTING SOLUTIONS

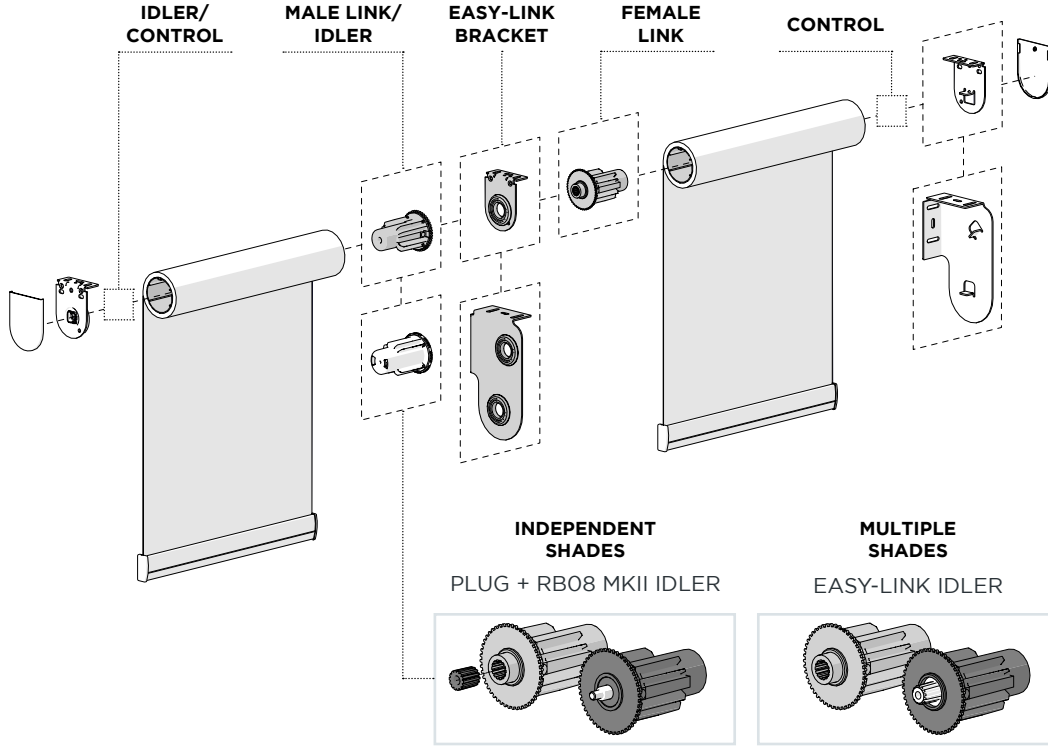


COLOUR RANGE

- black
- pure white
- sandstone
- barley
- silver grey

WEB PAGE LINK

SYSTEM UPGRADES



10 YEAR WARRANTY

HARDWARE CONTROLS

BRACKETS

TUBES

BOTTOM RAILS

SYSTEM FEATURES

MULTIPLE SHADES

Cost effective control of multiple shades.

INDEPENDENT SHADES

Control each shade independently.

BOTTOM RAIL ALIGNMENT

Bottom Rail alignment can be adjusted during installation.

TECHNICAL DATA

MAX WEIGHT OF SYSTEM AFTER 1ST LINK

| TUBES | STD | HD |
|-------|--------|--------|
| S40 | 15.5kg | 15.3kg |

| TUBES | LT | STD | HD |
|-------|--------|--------|--------|
| S45 | 14.1kg | 13.9kg | 12.5kg |

Max torque of Easy-Link connection is 3Nm.

EASY-LINK SHADE WIDTH

MOUNTING RAIL

FEATURES & BENEFITS

- Option to completely assemble shade off-site for installation.
- Quick snap fit installation into the Universal Mounting Brackets.
- Curved design to maximise the roller drop.
- Compatible with LX/VX brackets.
- Dedicated bracket covers to match mounting rail silhouette.



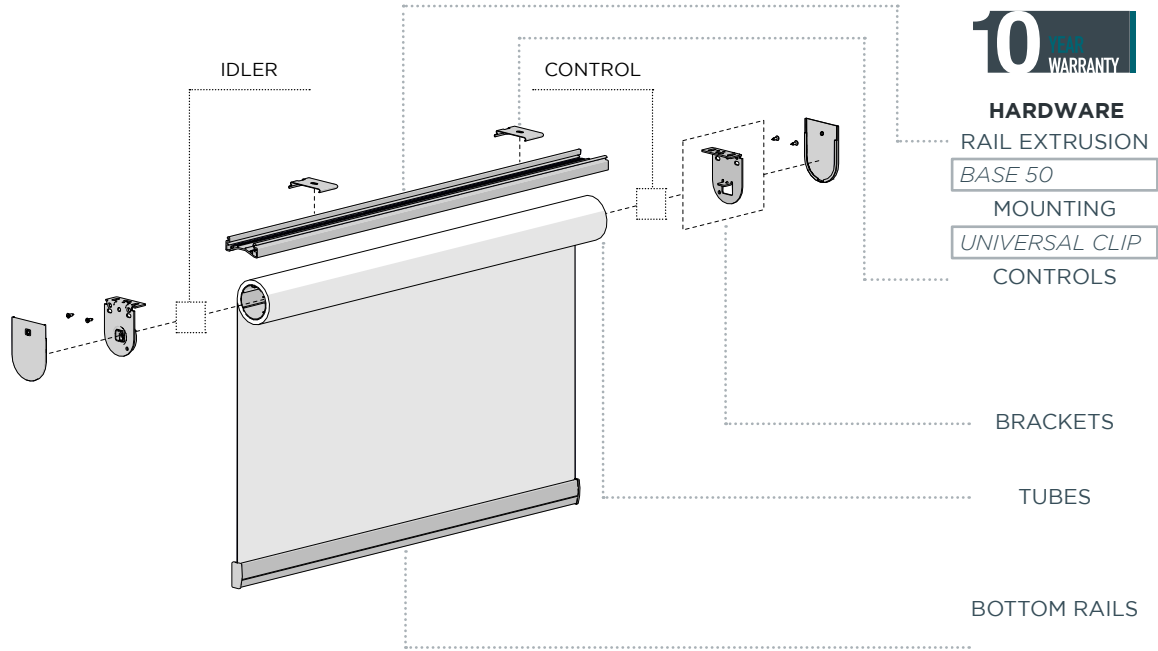
MOUNTING SOLUTIONS



COLOUR RANGE
pure white

WEB PAGE LINK

SYSTEM UPGRADES

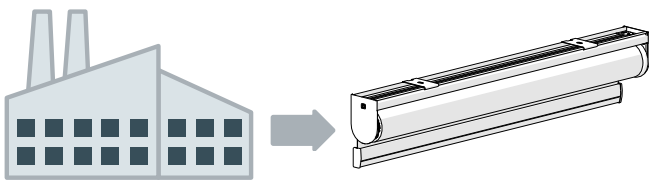


10 YEAR WARRANTY

HARDWARE
RAIL EXTRUSION
BASE 50
MOUNTING
UNIVERSAL CLIP
CONTROLS

KEY SYSTEM FEATURES

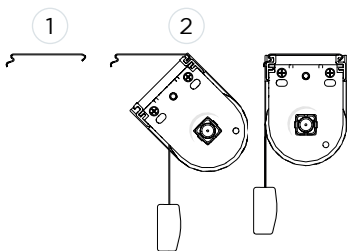
PREFABRICATE + QUICK INSTALL



Simplified Off-site Assembly.

SNAP FIT INSTALLATION

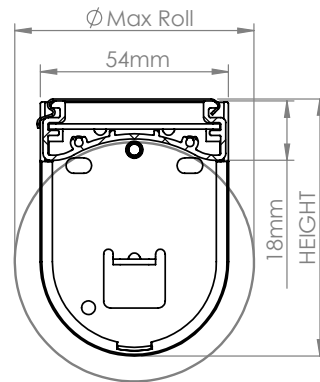
AESTHETICS



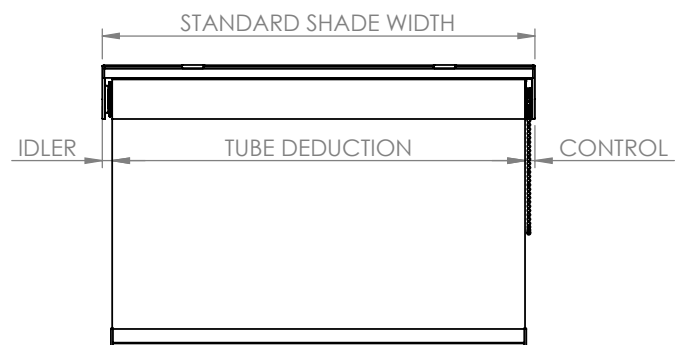
1. Install Bracket.
2. Snap-In assembly.

Dedicated bracket cover

TECHNICAL DATA



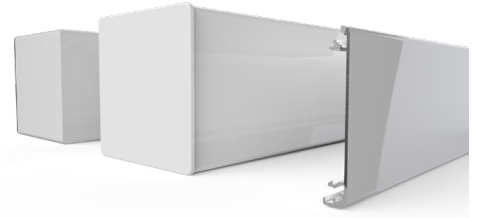
| | | |
|-----------------|------------------|------|
| | RAIL BASE | 50mm |
| | WIDTH | 54mm |
| | COVERS | ✓ |
| HEIGHT | LX/VX 40 | 70mm |
| | LX 55 | 97mm |
| MAX ROLL | LX/VX 40 | 75mm |
| | LX 55 | 90mm |



FRS VALANCE

FEATURES & BENEFITS

- Decorative cover.
- Available in 100mm & 120mm extrusions.
- Universal mounting.
- Snap-lock attachment of Valance.
- Recess application free of end caps.



MOUNTING SOLUTIONS

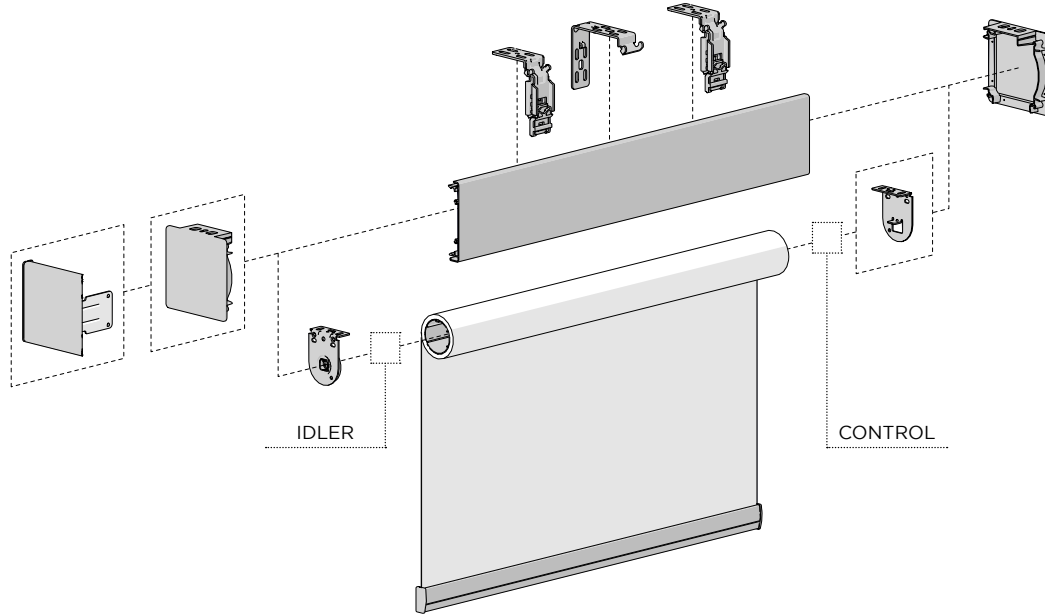


COLOUR RANGE

- black
- pure white
- silver grey

WEB PAGE LINK

SYSTEM UPGRADES



10 YEAR WARRANTY

- HARDWARE MOUNTING**
- SNAP LOCK
 - FRS VALANCE
 - FRS 100
 - FRS 120
 - CONTROLS

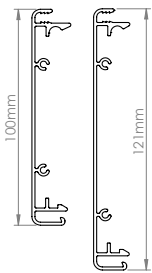
BRACKETS

TUBES

BOTTOM RAILS

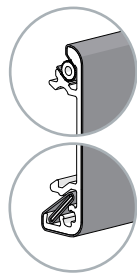
SYSTEM FEATURES

EXTRUSION OPTIONS



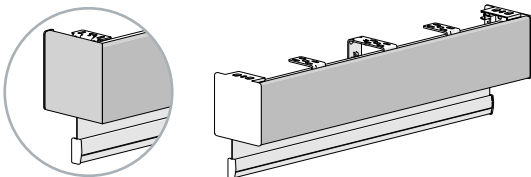
100 & 120

FABRIC WRAP



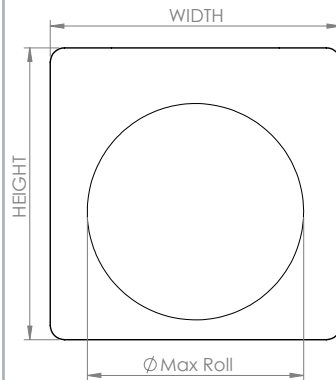
Round & Flat Spline

FRS CORNER RETURN

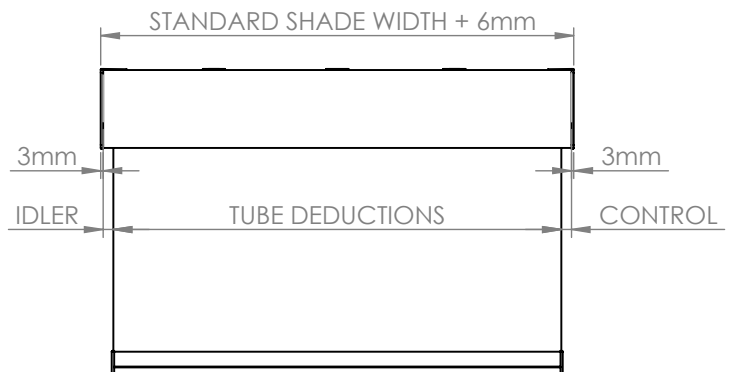


The FRS extrusion can be used as end caps for a uniform look.

TECHNICAL DATA



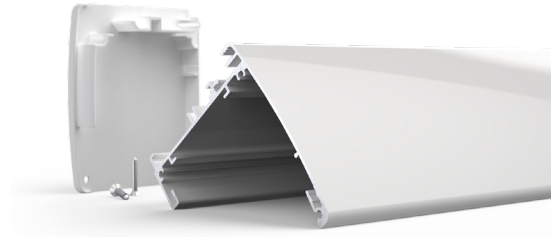
| FRS | WIDTH | HEIGHT | MAX ROLL |
|-----|-------|--------|----------|
| 100 | 102mm | 103mm | 76mm |
| 120 | 123mm | 124mm | 92mm |



PELMET 95

FEATURES & BENEFITS

- Spring loaded mounting brackets in Universal or Top/Face configurations.
- Colour coded end caps for optimised aesthetics.
- Fabric wrapping is optional.
- Zebra shade is optional.
- Screw feature to ensure secure hold of roller shade brackets to P95 extrusion.



MOUNTING SOLUTIONS

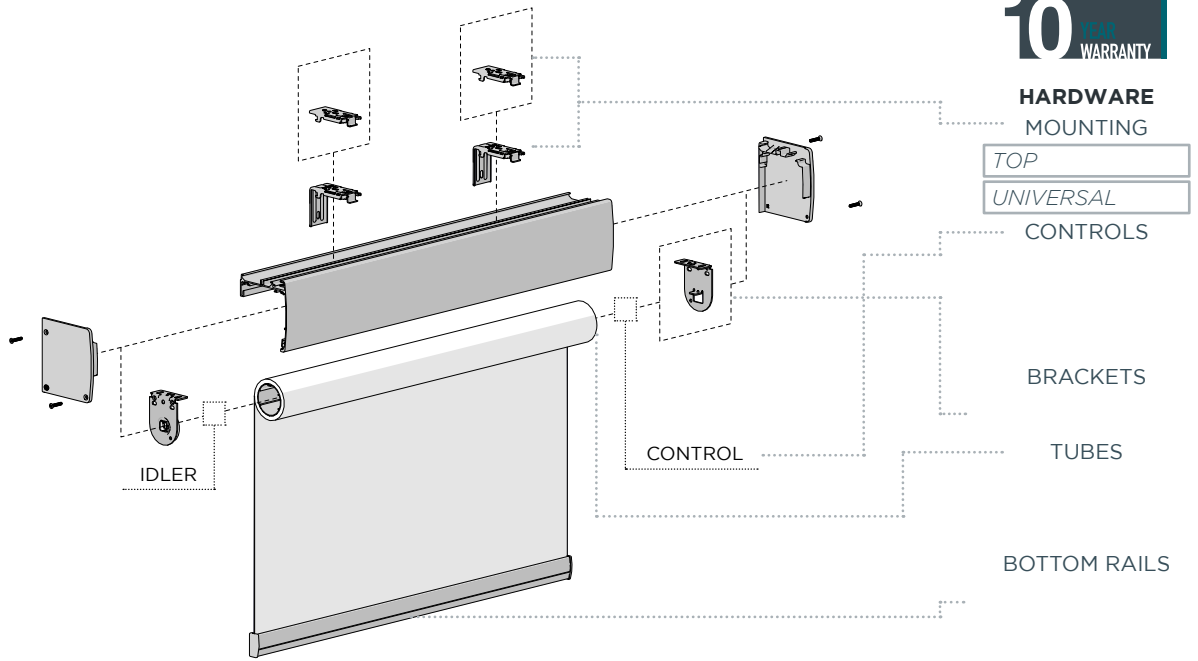


COLOUR RANGE

- black
- pure white
- silver grey

WEB PAGE LINK

SYSTEM UPGRADES



10 YEAR WARRANTY

HARDWARE MOUNTING

- TOP
- UNIVERSAL

CONTROLS

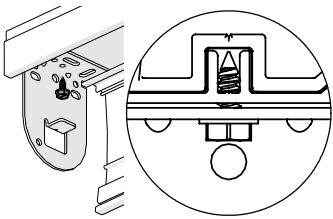
BRACKETS

TUBES

BOTTOM RAILS

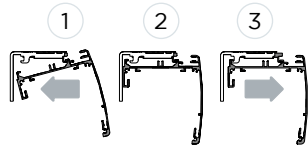
KEY SYSTEM FEATURES

SECURE ASSEMBLY



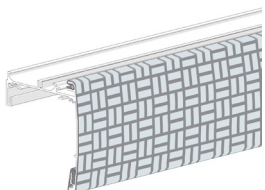
Lock brackets in place.

EASE OF INSTALLATION



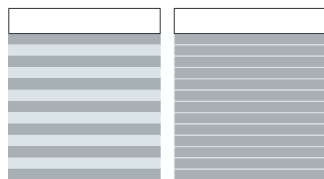
Universal OR Top Fix.
Simple push, align and release.

FABRIC WRAP



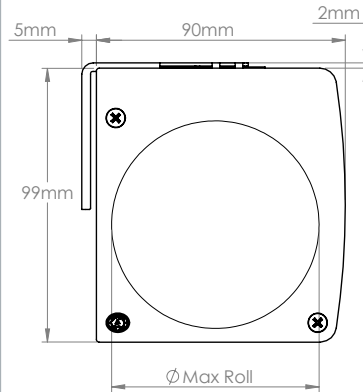
Match the pelmet extrusion to fabric.

ZEBRA SHADE

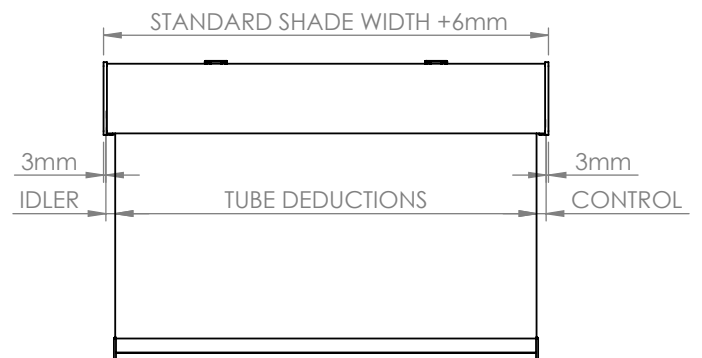


Compatible with Zebra fabric.

TECHNICAL DATA



| FABRIC HANGING | MAX ROLL |
|----------------|----------|
| FRONT | 65mm |
| BACK | 75mm |



CASSETTE FASCIA 90

FEATURES & BENEFITS

- Quick install with slimline mounting bracket for Top & Face installations.
- Install directly through cassette (no brackets used) to ceiling or wall to minimise light bleed.
- Optional dim-OUT side channels for an improved light blockout solution.
- Contemporary round or square head box options.



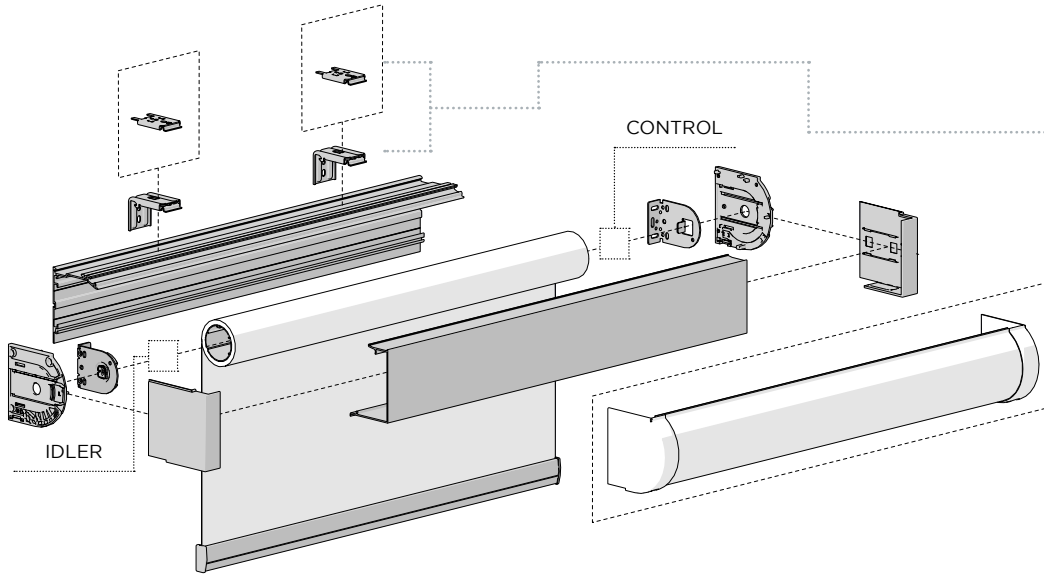
MOUNTING SOLUTIONS



COLOUR RANGE

- black
- pure white
- sandstone
- silver grey

WEB PAGE LINK



10 YEAR WARRANTY

HARDWARE MOUNTING

- TOP
- UNIVERSAL
- HEAD-BOX
- SQUARE
- ROUND
- CONTROLS

BRACKETS

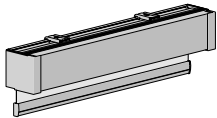
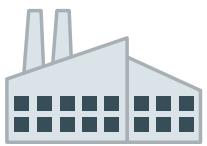
TUBES

BOTTOM RAILS

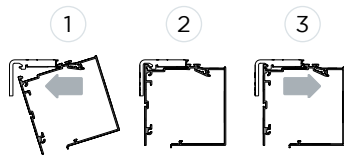
SYSTEM UPGRADES

SYSTEM FEATURES

PREFABRICATE + QUICK INSTALL



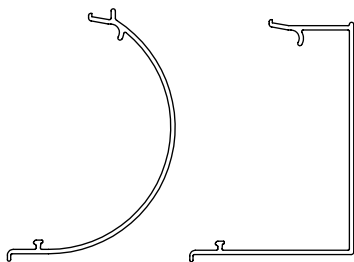
Simplified Off-site Assembly.



Universal OR Top Fix Brackets. Simple push, align and release.

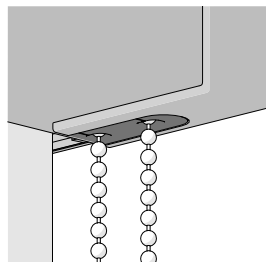
Optional: Fix cassette directly to ceiling for minimal light bleed.

EXTRUSION OPTIONS



Square & Round options available.

CHAIN GUIDE



Unique chain guide for smooth operation.

TECHNICAL DATA

