

BRACKET OPTIONS

TUBE OPTIONS

SINGLE

DOUBLE

S40

S45

S60

FABRIC OPTIONS

CONTROL OPTIONS

CHAIN

MOTOR

SPRING

D30 SILENT

ROUND

FLAT

OVAL

F4115 FLAT HD

FABRIC WRAP

BOTTOM RAIL OPTIONS

MEDIUM SYSTEM UPGRADES & OPTIONS:

S45 TO S60

WIRE GUIDE

EASY-LINK

MOUNTING RAIL

FRS VALANCE

P95 PELMET

CF90

CONTENTS

CONTROL OPTIONS

CHAIN	03	RB09 CHAIN WINDER	
	05	RB07/RB08 CHAIN WINDER	
	07	EASY-LIFT CHAIN BOOSTER	
	09	CHAINS & ACCESSORIES	
	10	CHAINS & CHILD SAFETY	
MOTOR	11	MOTORS SUMMARY	
	12	MOTORS CONTROLLERS	
	13	MOTORS BATTERY	
	15	MOTORS DC	
	17	MOTORS AC	
SPRING	19	EASY SPRING AIR	
	21	EASY SPRING ULTRA/WAND	

- Patent protected Easy-Lock Idler with industry leading onsite adjustment.
- Optional Spring Booster decreases the user effort by up to 60%.
- Child Safe accessories available.

- Smart Home Automation and voice control available with the Pulse App.
- Multiple power-source configurations suitable for Commercial or Residential use.
- Wide range of Remotes & Accessories available.
- Child Safe shade control & cord-free system solution.

- A child-safe chain & cord-free system solution.
- Balanced system & locked systems available.
- Optional wand control for hard-to-reach installations.

HARDWARE

23	ALUMINIUM TUBES	
24	BRACKETS SINGLE	
25	BRACKETS DOUBLE	
26	BOTTOM RAILS	

- Extrusions available for all shade sizes.

- Easy-Lock bracket technology simplifys the installation process.
- Compatible with all system upgrades & options.

- Combine blackout and light filtering fabrics in one installation.
- Uses the same Easy-Lock bracket technology as single brackets.

- Multiple sizes and styles to suit all shade solutions.
- Add-ons available to simplify assembly and optimise performance.

SYSTEM UPGRADES & OPTIONS

28	S45 TO S60 ADAPTOR	
29	INTERNAL WIRE GUIDE	
30	EASY-LINK	
31	MOUNTING RAIL	
32	FRS VALANCE	
33	PELMET 95	
34	CASSETTE FASCIA 90	

- Utilise S45 hardware with S60 tube to improve shade performance.
- LX 55mm Brackets offer a larger maximum roll diameter with a slimmer aesthetic.

- Secure guide, aiding & controlling unwanted shade movement.

- Link multiple shades together while achieving a minimal light gap.
- Control multiple shades with one control unit OR use a dual control set-up.

- Solution for off-site assembly, achieving quicker installation times.

- Decorative partial fascia to conceal the shade hardware.
- Option to wrap the extrusion in the same fabric as the shade.
- Extrusion is available in multiple sizes to suit medium to large fabric rolls.

- Decorative partial fascia to conceal the shade hardware.
- Option to wrap the extrusion in the same fabric as the shade.

- Premium decorative cover protects from dust.
- Available in Round or Square profiles.
- Optional Dim-OUT side guides for improved light blackout solution.

RB09 CHAIN WINDER

FEATURES & BENEFITS

- Patent protected snap-lock chain assembly to reduce fabrication time by up to 75%.
- Patent protected Easy-Lock Idler with industry leading onsite adjustment.
- Easy Lift Spring Booster achieves a lighter lifting solution, can also be retrofit on site.
- Heavy Duty bracket adaptor available for commercial use.
- Premium component design ensure a smooth and easy shade solution in a high polish finish.
- Chain Guide is designed for optimal double bracket user experience and the Direct Chain Guide can be installed in fixed or swivel configurations.
- RB09 Geared chain winder provides a cost-effective solution to reduce user effort by up to 40% (shade is lighter to lift).



COLOUR RANGE

- black
- pure white
- sandstone
- barley
- silver grey

WEBPAGE LINK

HARDWARE
10 YEAR WARRANTY

RB09 CHAIN WINDER OPTIONS

DIRECT

GEARED

HARDWARE CONTROLS

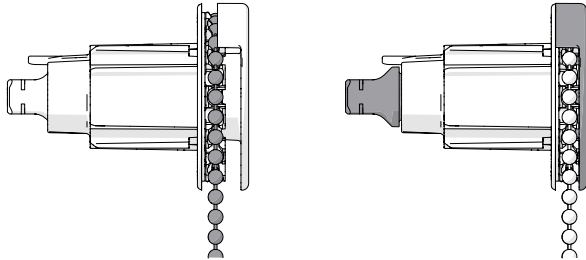
BRACKETS

TUBES

BOTTOM RAILS

KEY SYSTEM FEATURES

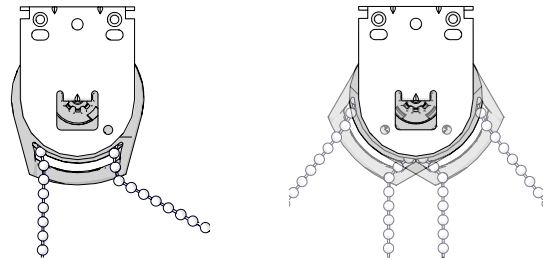
SNAP-LOCK CHAIN ASSEMBLY



1. Add Chain.

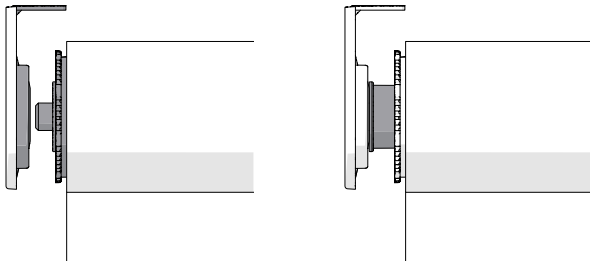
2. Push Cover In.

RB09 DIRECT | FIXED OR SWIVEL OPTIONS



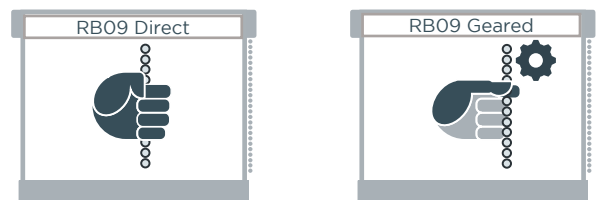
Swivel is ideal for installations above furniture & appliances.

10mm INSTALLATION ADJUSTMENT



Rotate disk clockwise to extend the pin in 1mm increments.

RB09 GEARED | ECONOMICAL LIGHTER LIFT SOLUTION



Cost effective solution to reduce user effort by up to 40%.

SYSTEM UPGRADES

S45 TO S60

WIRE GUIDE

EASY-LINK

MOUNTING RAIL

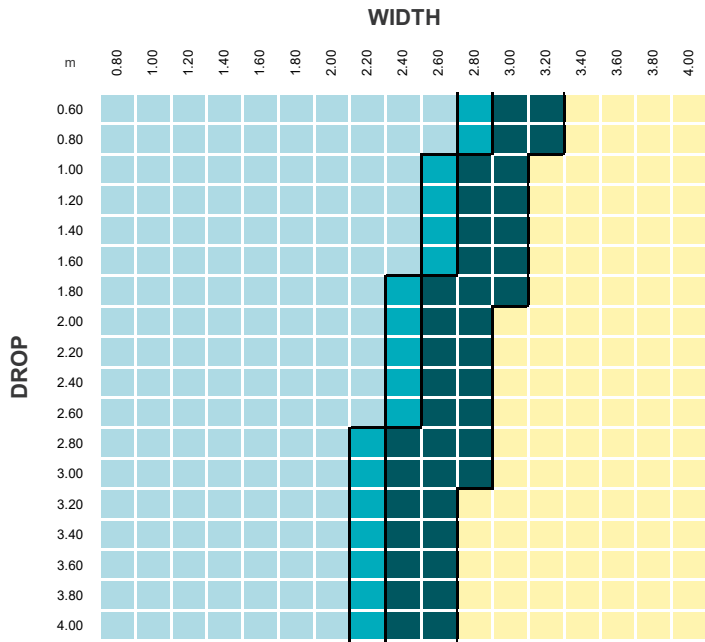
FRS VALANCE

P95 PELMET

CF90

RB09 SPECIFICATIONS

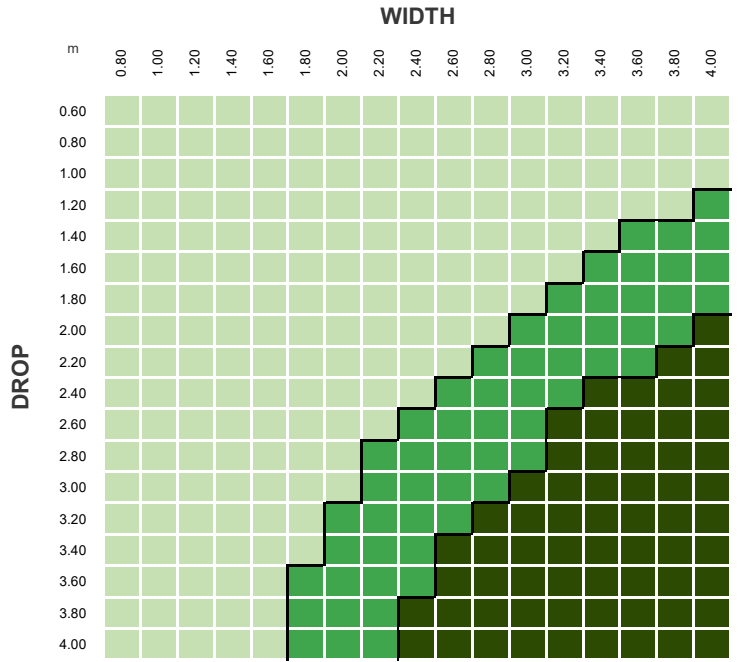
TUBE CAPACITY



TUBES	
S45 LIGHT	
S45 STANDARD	
S45 HEAVY DUTY	
S45 LINKED	

PARAMETERS:
 FABRIC DENSITY: 390gsm
 FABRIC THICKNESS: 0.6mm
 WEIGHT BAR: D30 Bottom Rail
 TUBE DEFLECTION: 1.05mm/m

CONTROL CAPACITY



RB09 CONTROL	
DIRECT OR GEARED	
DIRECT w. BOOSTER OR GEARED	
BOOSTER REQUIRED	

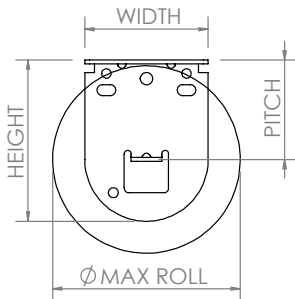
PARAMETERS:
 FABRIC DENSITY: 390gsm
 FABRIC THICKNESS: 0.6mm
 WEIGHT BAR: D30 Bottom Rail
 TUBE DEFLECTION: 1.05mm/m

HOLDING CAPACITY	TUBE		
	S45 LT	S45 STD	S45 HD
RB09	4.7kg	4.6kg	4.2kg
STD BOOSTER	9.1kg	8.9kg	8.0kg
HD BOOSTER	13.3kg	13.1kg	11.8kg

Operating shades at maximum holding capacity will not produce comfortable pull forces.

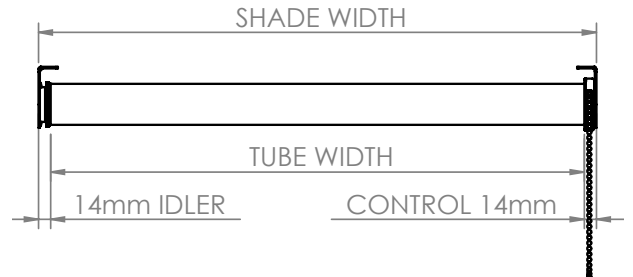
TECHNICAL DATA

SINGLE BRACKETS	SPECIFICATIONS			MAX ROLL
	PITCH	WIDTH	HEIGHT	
LX	40mm	50mm	65mm	75mm
	55mm	50mm	80mm	105mm



CONTROL OPTIONS	MINIMUM SHADE WIDTH (no covers)	TUBE DEDUCTIONS	
		NO BRACKET COVERS	WITH BRACKET COVERS
RB09	150mm	28mm	31mm
RB09 Geared	150mm		
+ STD BOOSTER	817mm		
+ HD BOOSTER	937mm		

Minimum Shade Width based on 5mm gap between hardware in tube.

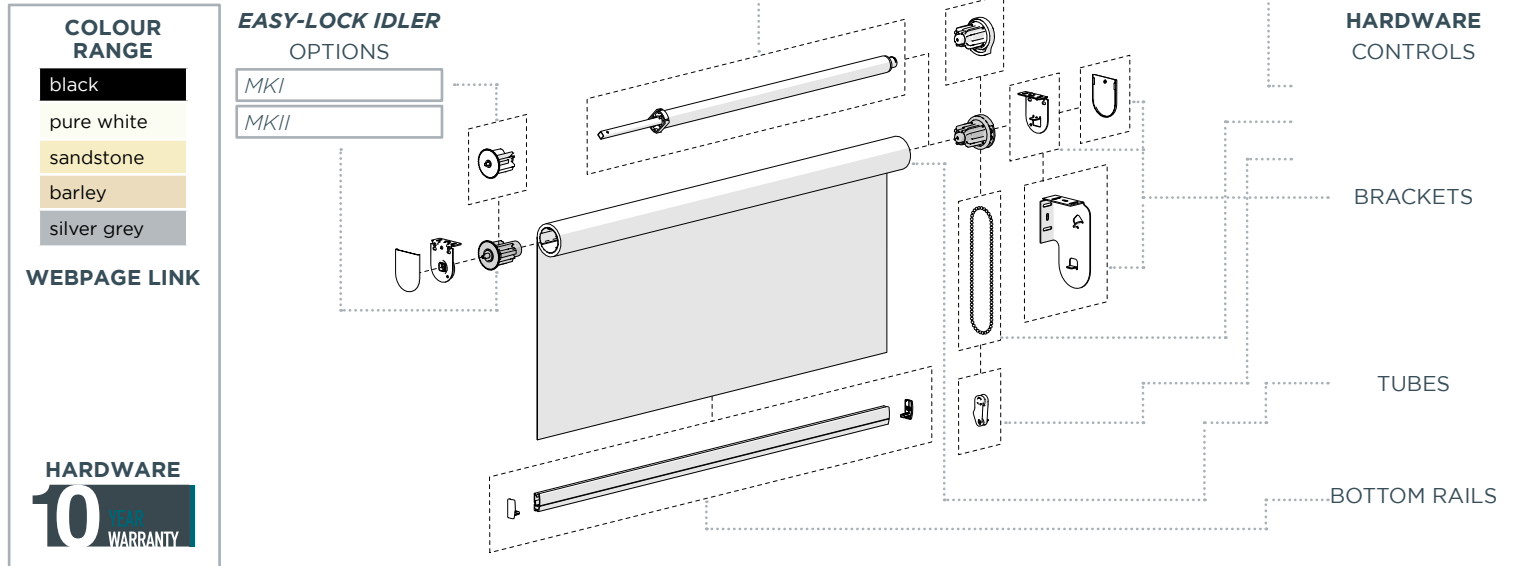


DOUBLE BRACKETS	MAX ROLL	SLIM PROFILE TOP-FRONT Fabric Roll Options	SLIM PROFILE TOP-BACK Fabric Roll Options	SQUARE-X Fabric Roll Options	SLIMLINE-X Fabric Roll Options
SLIM PROFILE/SQUARE-X	70mm				
SLIMLINE-X	65mm				

RB07/08 CHAIN WINDER

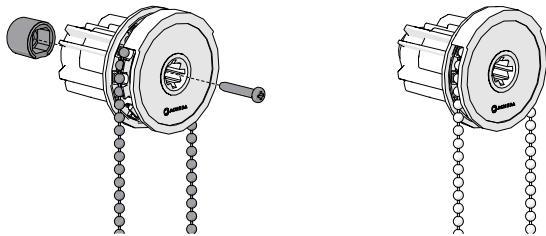
FEATURES & BENEFITS

- Easy-Lock Idler with industry leading simplified 2 step installation.
- 7mm MKII idler extension to correct mis-measured shades on site.
- The discreet release wheel on the Easy-Lock Idler allows for a simplified shade removal.
- Retro-fit an Easy Lift Chain Booster on-site to achieve a lighter lifting solution.
- Compatible with system upgrade solutions to further enhance functionality & aesthetics.
- Optional RB07 chain winder, for integrated chain diverter for smooth operation.
- Premium component design to ensure a smooth, quiet and easy shade lift solution.
- Heavy Duty bracket adaptor available for commercial use.



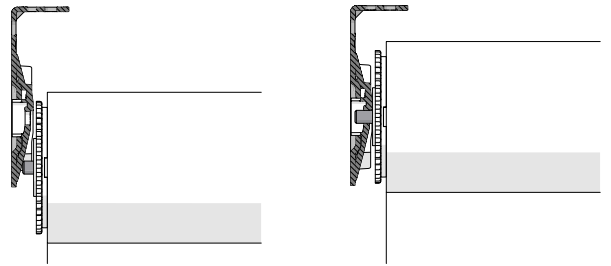
KEY SYSTEM FEATURES

CHAIN ASSEMBLY



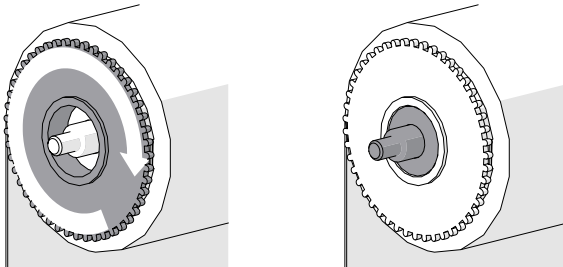
Release the chainwinder cover and add the chain.
Reassemble the chainwinder.

EASY-LOCK IDLER INSTALLATION



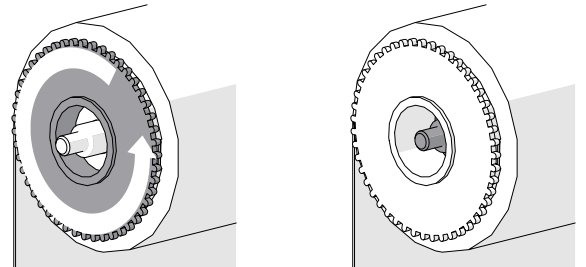
Align with bracket ramp and push into place.

MKII IDLER INSTALLATION ADJUSTMENT



Rotate disk clockwise to extend the pin 7mm.

REMOVING SHADE



Rotate disk counter clockwise to retract the pin.

SYSTEM UPGRADES

WIRE GUIDE

EASY-LINK

MOUNTING RAIL

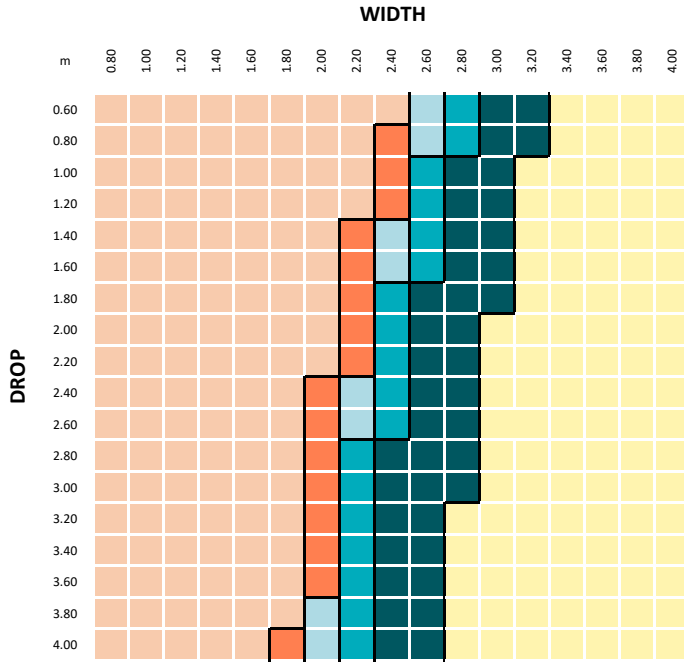
FRS VALANCE

P95 PELMET

CF90

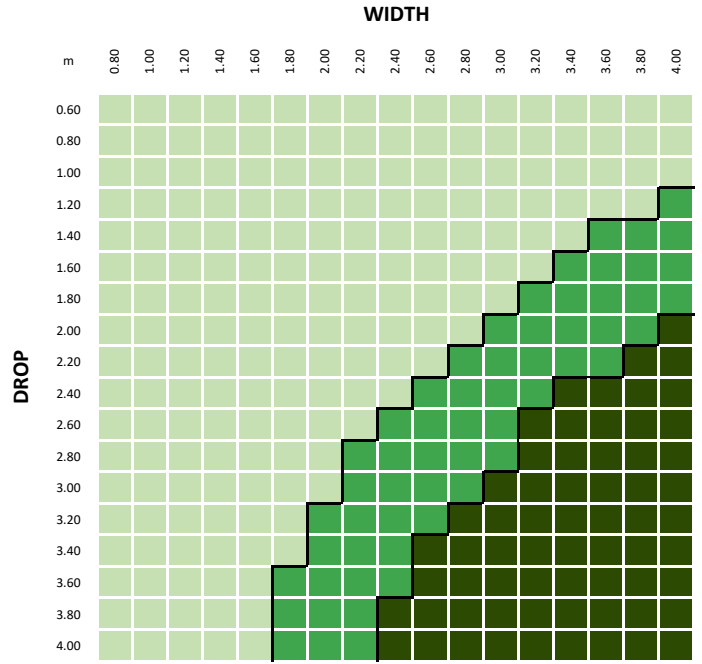
RB07/08 SPECIFICATIONS

TUBE CAPACITY



TUBES	RB08	PARAMETERS:
S40 STANDARD		FABRIC DENSITY: 390gsm
S40 HEAVY DUTY		FABRIC THICKNESS: 0.6mm
S45 LIGHT		WEIGHT BAR: D30 Bottom Rail
S45 STANDARD		TUBE DEFLECTION: 1.05mm/m
S45 HEAVY DUTY		
LINKED		

CONTROL CAPACITY



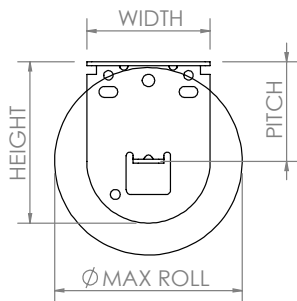
BOOSTER	TYPE	PARAMETERS:
OPTIONAL		FABRIC DENSITY: 390gsm
RECOMMENDED		FABRIC THICKNESS: 0.6mm
REQUIRED		WEIGHT BAR: D30 Bottom Rail

HOLDING CAPACITY	TUBE				
	S40 STD	S40 HD	S45 LT	S45 STD	S45 HD
RB07/08	5.2kg	5.1kg	4.7kg	4.6kg	4.2kg
STD BOOSTER	10.0kg	9.8kg	9.1kg	8.9kg	8.0kg
HD BOOSTER	14.8kg	14.4kg	13.3kg	13.1kg	11.8kg

Operating shades at maximum holding capacity will not produce comfortable pull forces.

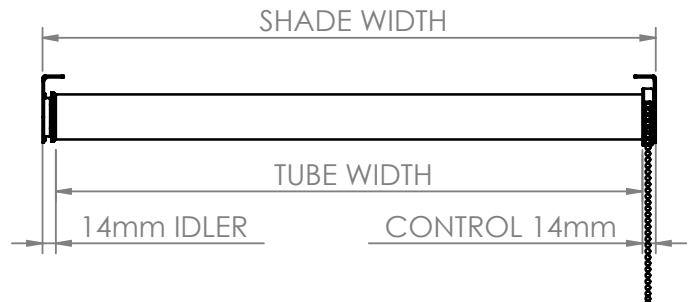
TECHNICAL DATA

SINGLE BRACKETS	SPECIFICATIONS			MAX ROLL
	PITCH	WIDTH	HEIGHT	
AX	40mm	40mm	60mm	75mm
	55mm	40mm	75mm	105mm
VX	40mm	50mm	65mm	75mm
LX	55mm	50mm	80mm	105mm



CONTROL OPTIONS	MINIMUM SHADE WIDTH (no covers)	TUBE DEDUCTIONS	
		NO BRACKET COVERS	WITH BRACKET COVERS
RB07/08	140mm	28mm	31mm
+ STD BOOSTER	798mm		
+ HD BOOSTER	923mm		

Minimum Shade Width based on 5mm gap between hardware in tube.



DOUBLE BRACKETS	MAX ROLL	SLIM PROFILE TOP-FRONT Fabric Roll Options Requires RB07 at top.	SLIM PROFILE TOP-BACK Fabric Roll Options Requires RB07 at top.	SQUARE-X Fabric Roll Options	SLIMLINE-X Fabric Roll Options
SLIM PROFILE/SQUARE-X	70mm				
SLIMLINE-X	65mm				

EASY-LIFT CHAIN BOOSTER

FEATURES & BENEFITS

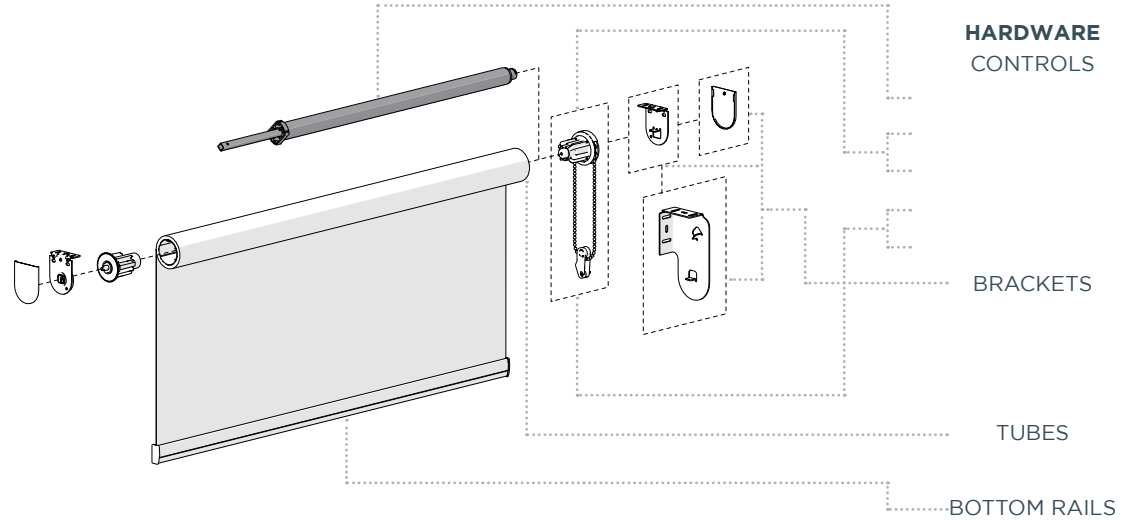
- The industry leading RB09 snap-lock booster attachment enables quick fabrication.
- Chain Boosters compatible with RB07/RB08/RB09 chain winders.
- Decreases user effort by up to 60%.
- Control larger linked shades with minimal effort.
- Retro-fit an Easy Lift Chain Booster on-site to achieve a lighter lifting solution.
- Standard and Heavy Duty Springs available.



CHAIN WINDERS
RB09

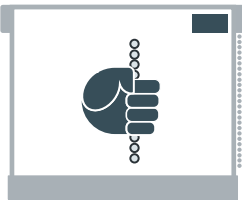
RB08/RB07

HARDWARE
10 YEAR WARRANTY

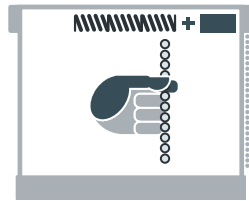


KEY SYSTEM FEATURES

SHADE FEELS UP TO 60% LIGHTER TO LIFT*



Chain winder.



Chain winder with Booster.

*Based on Rollease Acmeda's recommended user effort.

LARGER SHADES POSSIBLE

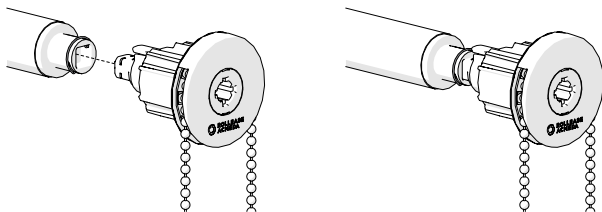


Chain winder ONLY.



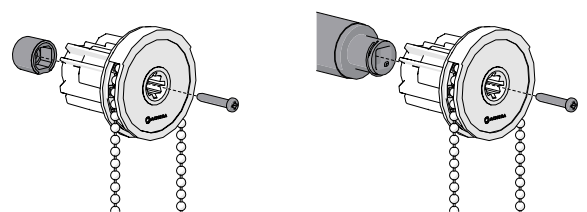
Chain winder with Booster.

RB09 SNAP-LOCK BOOSTER ASSEMBLY



Push components together to assemble.

RB07/RB08 BOOSTER ASSEMBLY



Remove cover and attach booster with chain winder screw.

SYSTEM UPGRADES

WIRE GUIDE

EASY-LINK

MOUNTING RAIL

FRS VALANCE

P95 PELMET

CF90

Page is intentionally blank.

CHAINS & ACCESSORIES

Our range of chains and accessories for roller shades includes a variety of metal and plastic chains; available either on the roll or in convenient pre-looped sizes. These are compatible with a large range of chain tensioning devices for both wall and inside recess fixing, to ensure installers comply with the industry child safety regulations.



CHAIN RANGE

PRE-LOOPE

CONTINUOUS

#10/4.5
DOUBLE BEAD
6P/48-49

WEBPAGE LINK

MATERIAL	TYPE	PRE-LOOPE										COLOURS					
	CONTINUOUS ROLL 150m	PRE-LOOPE	50cm	75cm	100cm	125cm	150cm	175cm	200cm	225cm	250cm	050 - black	069 - pure white	338 - silver grey	412 - birch white	S20 - steel	X10 - stainless steel
PLASTIC	✓	✓	✓	✓	✓	✓	✓	✓	✓	✓	✓	✓	✓	✓	✓	✓	✓
STEEL	✓	✓	✓	✓	✓	✓	✓	✓	✓							✓	
STAINLESS STEEL	✓	✓	✓	✓	✓	✓	✓	✓	✓								✓

CHAIN ACCESSORIES

CHAIN STOPPER

BALL		Stainless Steel/Clear Plastic For Plastic & Metal Chains. Prevents shade from wrapping over the tube or rolling past desired drop. Available in 6.35 & 8mm options.
BARREL		Plastic For Plastic & Metal Chains. Prevents shade from wrapping over the tube or rolling past desired drop. Available for 8mm only.
WASHER		Rubber For Plastic & Metal Chains. Stopper halts roller shade at desired height. Soft rubber minimises noise & impact. Clear finish is visually unobtrusive.

CHAIN CONNECTOR

PLASTIC		Connects plastic length of chain into a loop.
METAL		Connects metal length of chain into a loop. Available in Stainless Steel or Nickel Plated Brass.

ASSEMBLY

IMPROVED SHADE USABILITY

AT THE TOP LIMIT POSITION, NOTE THE TOP CHAIN BALL.

ATTACH BALL STOP TO THE TOP BALL.

NOW THE SHADE CANNOT BE WOUND PAST THE TOP LIMIT.

Never pull the shade past the top limit again.

CREATE SHADE LOOPS OF ANY LENGTH

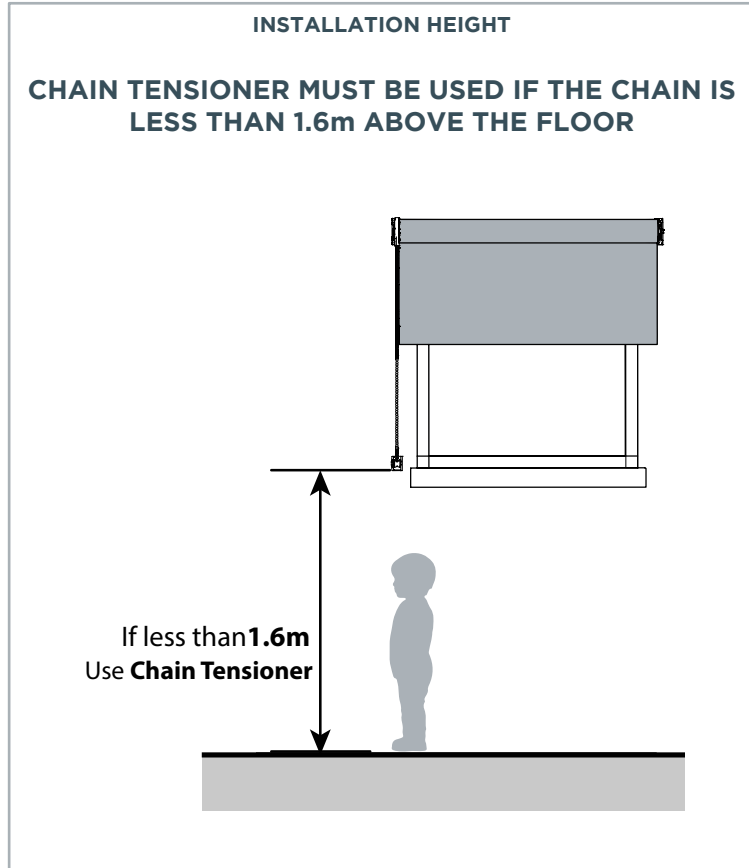
Cut chain to desired length and insert both ends into joiner.

CHAINS & CHILD SAFETY

It's easy to overlook potential hazards for children, especially when their natural curiosity can lead them to explore every crevice and corner of a home. At Rollease Acmeda, child safety is important to us, so we offer a variety of solutions to ensure every home and family is safe from hazards, loose hanging cords or chains.














The current requirements set by the Competition and Consumer (Corded Internal Window Coverings) Safety Standard 2014 states that a corded internal window covering 'must be installed in such a way that a loose cord cannot form a loop 220mm or longer at less than 1,600mm above floor level.'

Our range of products offer an innovative suite of child safe solutions that easily comply with these regulations without compromising functionality or design of window furnishings.



	WEBSITE LINK	FIXING			COLOURS			
		Face Fix	Recess Fix	Floor Fix	000/001 - clear	050 - black	069 - white	338 - silver grey
UNIVERSAL		✓	✓		✓	✓	✓	
HOOK		✓	✓		✓			
CHAINHOLD		✓	✓				✓	
CHAIN TENSIONER		✓		✓		✓	✓	✓
			✓			✓	✓	✓

MOTORS | SUMMARY

	  									
	Li-ion	DC	AC	SPECIFICATIONS						
KEY FEATURES SUMMARY				5V ZERO	12V	12V ZERO	240V E6	240V M6		
 SIMPLIFIED RETRO-FIT Motor can replace a chain winder without modifying the hardware, maintaining a minimal hardware gap.	✓	✓		✓					TORQUE	0.7Nm
				✓						1.1Nm
 PATENTED MOTOR HEAD DESIGN Offers the smallest light gap and antenna cable can be concealed within the motor head.	✓	✓			✓				POWER	Lithium-ion Battery
						✓				DC 12V Low Voltage
 INNOVATIVE MOTOR CAP Optional, custom designed accessory for no visible wires.	✓	✓					✓	✓	FEATURES	AC 240V Mains
										Zero Motor Head
 ELEGANT SOFT STOP Slows the motor down prior to reaching shade limits, coming to a gradual stop.	✓	✓							ACCESSORIES	Motor Cap
										Ultra Quiet
 MICRO USB CHARGING Custom motor charger not required. Utilise any micro USB cable and charger to renew battery.	✓								ACCESSORIES	Elegant Soft Stop
										Battery Check Action
 CONTINUOUS POWER A continuously powered solution that has three optional 12V power sources.		✓							ACCESSORIES	Micro USB Charging
										Secure Hold
 CONTINUOUS POWER A continuously powered solution connected to the mains 240V electrical grid.								✓	ACCESSORIES	Simplified Retro-Fit
										Bidirectional Communication
 BATTERY CHECK When paired with Push series remotes, motor will move shade to indicate battery percentage remaining.	✓								ACCESSORIES	Adjustable Speed
										Simplified Setup
 NARROW SHADE WIDTHS Shades can be made at a minimum width of 432mm and powered using external battery pack for door shading applications.									ACCESSORIES	Favourite Positioning
										Precise Limit Adjustment
 RELIABLE OPERATION Hardwired installation prevents interference from other devices.									ACCESSORIES	Electronic Limit Setting
										Mechanical Limit Setting
									ACCESSORIES	Push Remotes
										Pulse 2 Hub & App
									ACCESSORIES	Wall Switch
										Solar Panel V2
									ACCESSORIES	Internal Sun Sensor
										ARC Repeater
									ACCESSORIES	ARC Relay Module
										DC Power Distribution Panel
									ACCESSORIES	Rechargeable Battery Pack
										Extension Cables
									ACCESSORIES	Wall Charger

AUTOMATE MOTORS ARE COMPATIBLE WITH THE FOLLOWING:



MOTORS | CONTROLLERS

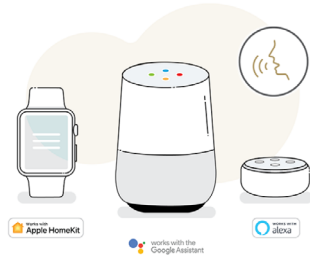
HOME AUTOMATION FEATURES

PULSE 2 APP

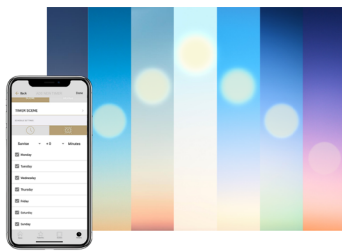


Effortless control of motorised shades when at home or away. Personalise the daily routine via groups, rooms and timers.

VOICE CONTROL



DYNAMIC SUNRISE/SUNSET FUNCTION



Set shades to follow the sun.

PULSE2 LINQ



Connect to smart home systems.

HOME AUTOMATION | PULSE 2.0

- Group Automate shades by room and conveniently control them accordingly.
- Personalise shade control and organise how your shades operate by specific daily events or scenes automatically at the optimal time.
- Roller shades, Drapery, Outdoor Shades, Awnings... control every shade type from one screen.
- Installers have access to information that assists them identify potential issues.
- The signal indicator highlights when there is no connection between the motor and the hub, to assist with troubleshooting.
- The APP is available in English, Italian, Dutch, French or German.



REMOTE CONTROLS

PUSH SERIES



Push ONE, 5 Channel & 15 Channel Remotes

WALL CONTROLS



1, 2 & 15 Channel Remotes

ACCESSORIES | COMMERCIAL

DC POWER DISTRIBUTION PANEL



- Power your Automate DCRF motors from a compact, central location that can service up to 18 motors.
- Easily check each individual motors power status by viewing the prominent green LED's on the DC Power Panel.
- The panel can be used with many different wire types (from 26 to 14 AWG). Any pre-wired installation may readily use DCRF motors and the Power Distribution Panel.

ACCESSORIES | GENERAL

ARC REPEATER



Extend range of ARC Protocols.

INTERNAL SUN SENSOR



Control shade with 4 preset light thresholds.

ARC RELAY TRANSMITTER

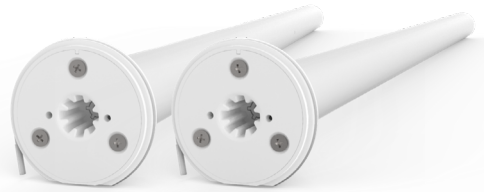


- Provide interface between third party smart home motor systems and ARC motors.
- Three contact inputs - Up, Down & Stop.
- Group Motor Control.
- Wireless control of ARC motors.
- Roller mode and Step mode for venetian motors.
- 12V or 24V power source compatible.

MOTORS | BATTERY

FEATURES & BENEFITS

- Patent ZERO motor head conceals all wires by wrapping them around the head.
- Retro-fit solution, turn manual blinds into motorised shades with ease, simply remove winder, insert motor & operate.
- Soft Stop technology which slows the blind prior to stopping.
- Micro USB 5 volt charging.
- Colour matching motor head cap conceals hardware.
- Long lasting battery - up to 500 cycles per charge.



COLOUR RANGE

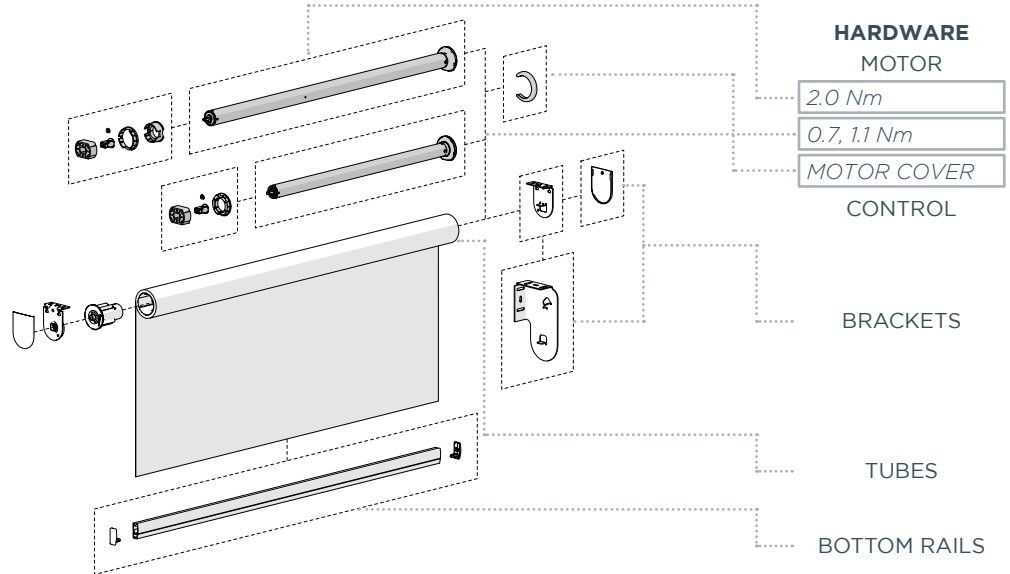
black

pure white

WEBPAGE LINK

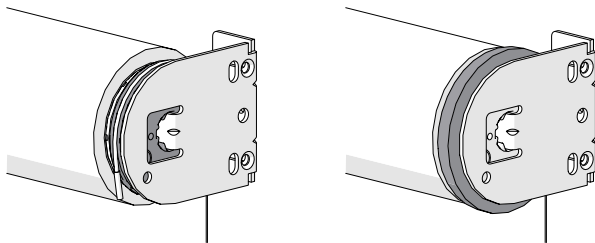
MOTOR HARDWARE

5 YEAR WARRANTY



KEY SYSTEM FEATURES

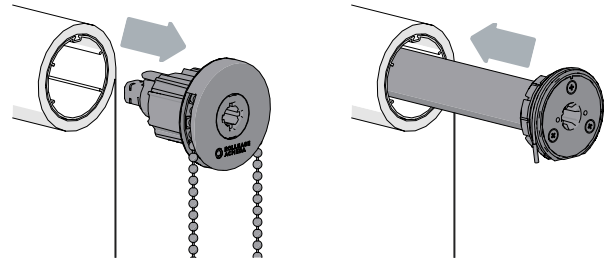
ZERO VISIBLE WIRES



The motor head has a slot which retains the antenna.

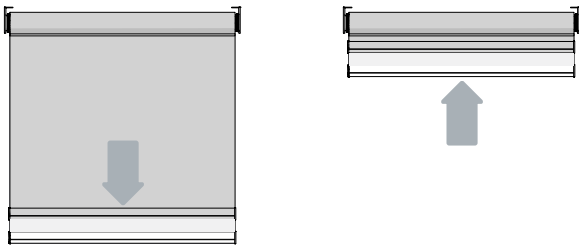
Hide the motor head with a colour matched Motor Cap.

RETRO-FIT SOLUTION



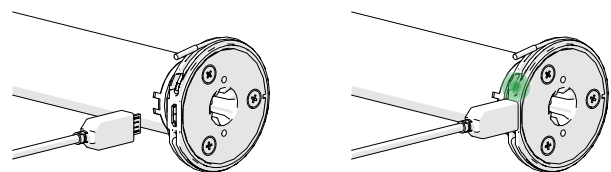
Replace a chain control with a ZERO Li-ion motor without having to change any existing hardware.

SOFT STOP



Shade gradually reduces speed when coming to a stop for ultra-smooth movement.

MICRO USB CHARGING



LED behind button will glow to indicate successful charging.

SYSTEM UPGRADES

WIRE GUIDE

EASY-LINK

MOUNTING RAIL

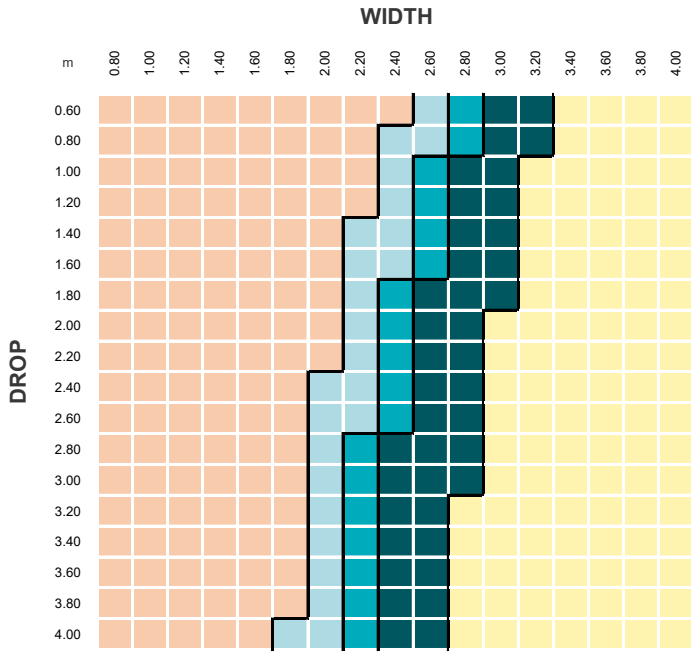
FRS VALANCE

P95 PELMET

CF90

MOTORS | BAT. SPECIFICATIONS

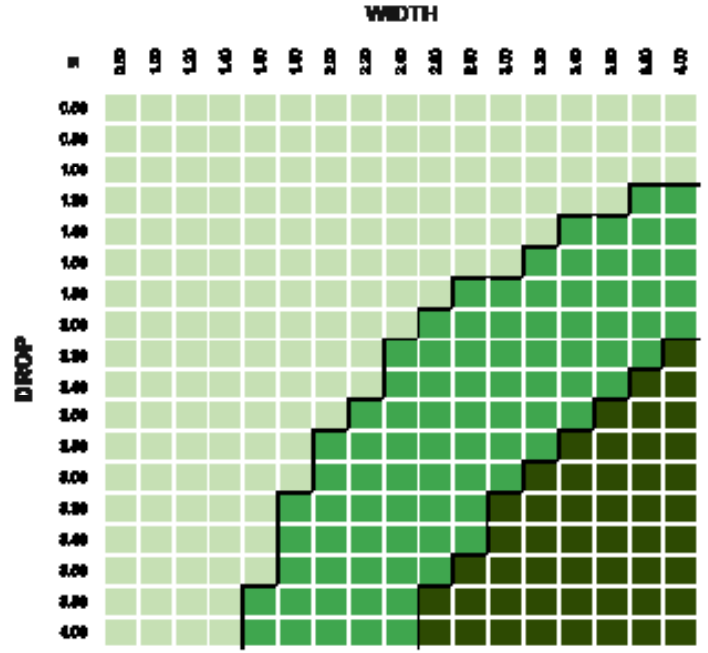
TUBE CAPACITY



TUBES	
S40 STANDARD	Light Blue
S45 LIGHT	Light Blue
S45 STANDARD	Medium Blue
S45 HEAVY DUTY	Dark Blue
LINKED	Yellow

PARAMETERS:
 FABRIC DENSITY: 390gsm
 FABRIC THICKNESS: 0.6mm
 WEIGHT BAR: D30 Bottom Rail
 TUBE DEFLECTION: 1.05mm/m
 NOTE: S40 IS ONLY COMPATIBLE WITH 0.7, 1.1Nm MOTORS

CONTROL CAPACITY



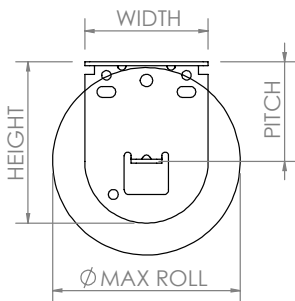
MOTOR	
0.7Nm	Light Green
1.1Nm	Medium Green
2.0Nm 3.0Nm 6.0Nm	Dark Green

PARAMETERS:
 FABRIC DENSITY: 300gsm
 FABRIC THICKNESS: 0.6mm
 WEIGHT BAR: D30 Bottom Rail
 TUBE DEFLECTION: 1.05mm/m

LIFTING CAPACITY	TUBE			
	S40 STD	S45 LT	S45 STD	S45 HD
0.7Nm	3.7kg	3.3kg	3.2kg	2.9kg
1.1Nm	5.8kg	5.2kg	5.1kg	4.6kg
2.0Nm	-	9.4kg	9.2kg	8.3kg

TECHNICAL DATA

SINGLE BRACKETS	SPECIFICATIONS			MAX ROLL
	PITCH	WIDTH	HEIGHT	
AX	40mm	40mm	60mm	75mm
	55mm	40mm	75mm	105mm
VX/LX	40mm	50mm	65mm	75mm
LX	55mm	50mm	80mm	105mm

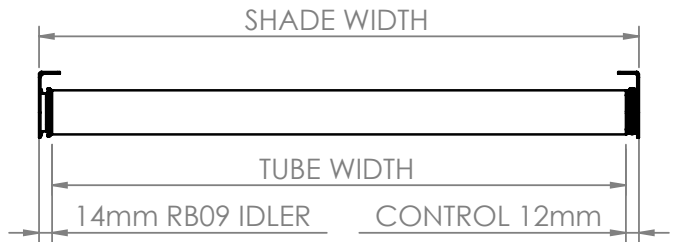


CONTROL OPTIONS	MINIMUM SHADE WIDTH (no covers)	TUBE DEDUCTIONS	
		NO BRACKET COVERS	WITH BRACKET COVERS
ZERO 0.7Nm	569mm	26mm	*28mm
ZERO 1.1Nm	642mm		
ZERO 2.0Nm	739mm		

*Add +1mm to deductions for Motor Cover installations.

TUBE WIDTH = SHADE WIDTH - [CONTROL + IDLER]

Minimum Shade Width based on 5mm gap between hardware in tube.



DOUBLE BRACKETS	MAX ROLL	SLIM PROFILE TOP-FRONT Fabric Roll Options	SLIM PROFILE TOP-BACK Fabric Roll Options	SQUARE-X Fabric Roll Options	SLIMLINE-X Fabric Roll Options
SLIM PROFILE/SQUARE-X	70mm				
SLIMLINE-X	65mm				

MOTORS | DC

FEATURES & BENEFITS

- Low voltage continuous powered.
- Multiple power options: Power Supply, DC Power Panel, Battery Pack.
- Patent ZERO motor head conceals all wires by wrapping them around the head.
- Retro-fit solution, turn manual blinds into motorised shades with ease, simply remove winder, insert motor & operate.
- Soft Stop technology which slows the blind prior to stopping.
- Colour matching motor head cap conceals hardware.
- Smallest motorised blind width.



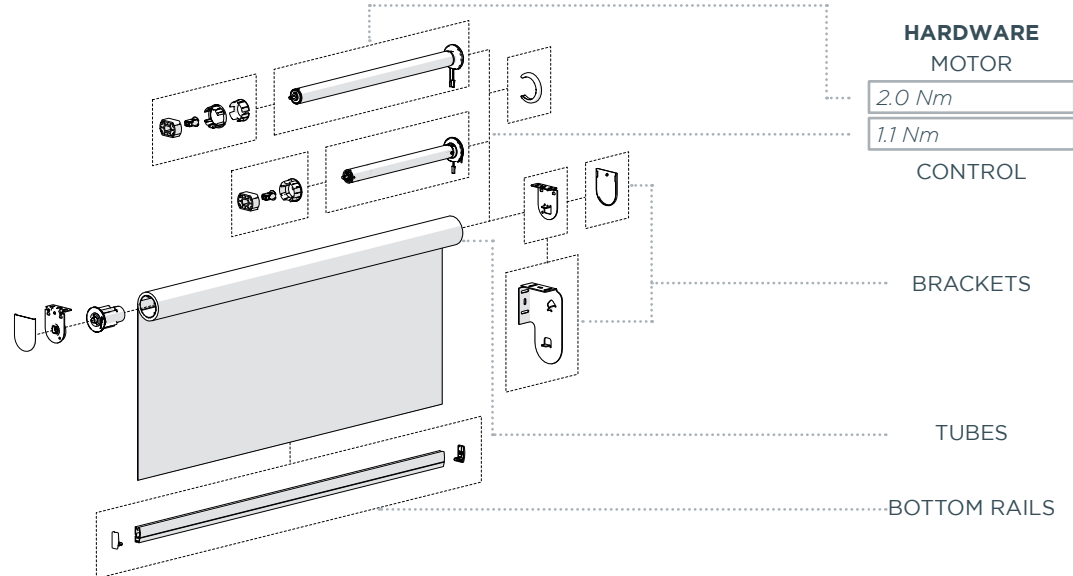
COLOUR RANGE

pure white

WEBPAGE LINK

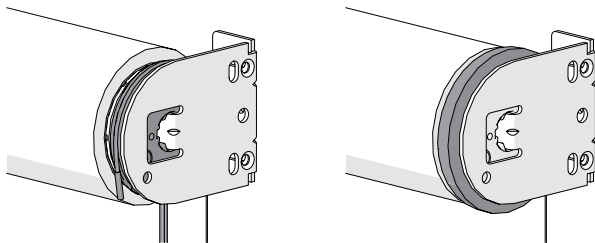
MOTOR HARDWARE

7 YEAR WARRANTY



KEY SYSTEM FEATURES

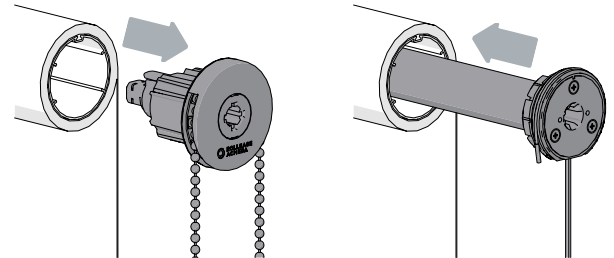
ZERO VISIBLE WIRES



The motor head has a slot which retains the antenna.

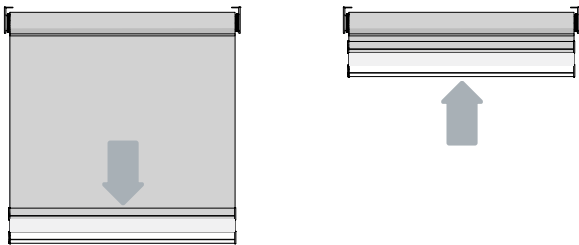
Hide the motor head with a colour matched Motor Cap.

RETRO-FIT SOLUTION



Replace a chain control with a ZERO Li-ion motor without having to change any existing hardware.

SOFT STOP



Shade gradually reduces speed when coming to a stop for ultra-smooth movement.

CHARGING OPTIONS



Power Supply

DC Power Panel

Battery Pack

SYSTEM UPGRADES

WIRE GUIDE

EASY-LINK

MOUNTING RAIL

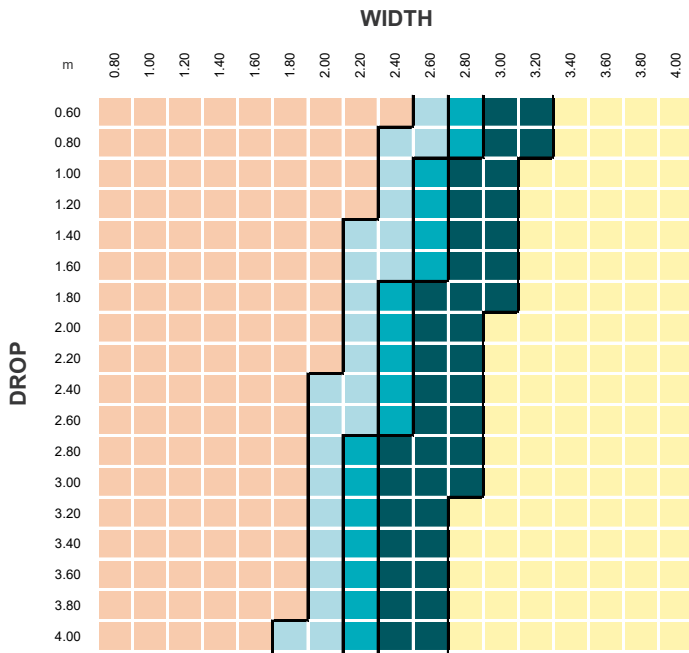
FRS VALANCE

P95 PELMET

CF90

MOTORS | DC SPECIFICATIONS

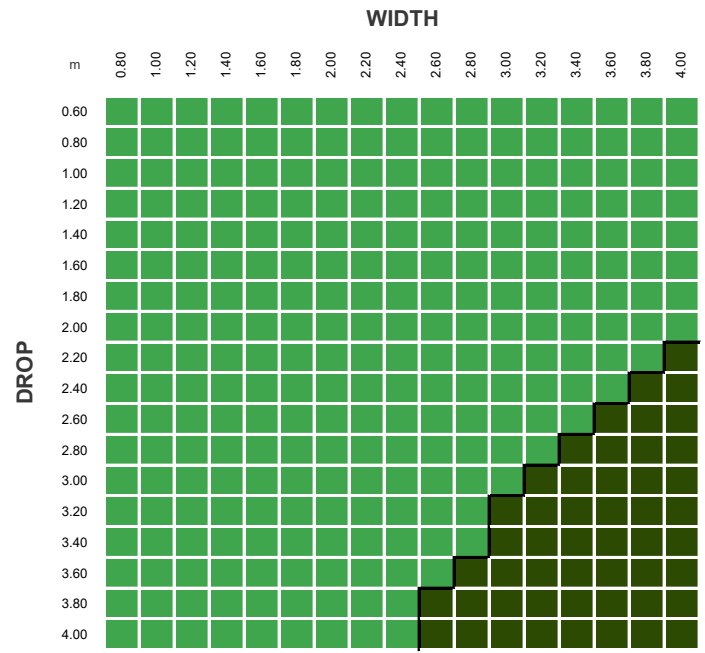
TUBE CAPACITY



TUBES	
S40 STANDARD	
S45 LIGHT	
S45 STANDARD	
S45 HEAVY DUTY	
LINKED	

PARAMETERS:
 FABRIC DENSITY: 390gsm
 FABRIC THICKNESS: 0.6mm
 WEIGHT BAR: D30 Bottom Rail
 TUBE DEFLECTION: 1.05mm/m
 NOTE: S40 IS ONLY COMPATIBLE WITH 0.7, 1.1Nm MOTORS

CONTROL CAPACITY



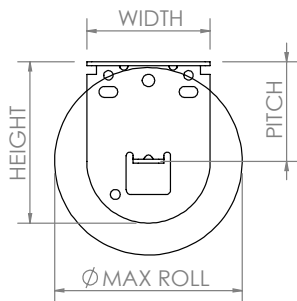
MOTOR	
1.1Nm	
2.0Nm 3.0Nm 6.0Nm	

PARAMETERS:
 FABRIC DENSITY: 390gsm
 FABRIC THICKNESS: 0.6mm
 WEIGHT BAR: D30 Bottom Rail
 TUBE DEFLECTION: 1.05mm/m

LIFTING CAPACITY	TUBE			
	S40 STD	S45 LT	S45 STD	S45 HD
ZERO 1.1 Nm	5.8kg	5.2kg	5.1kg	4.6kg
ZERO 2.0 Nm	-	9.4kg	9.2kg	8.3kg

TECHNICAL DATA

SINGLE BRACKETS	SPECIFICATIONS			MAX ROLL
	PITCH	WIDTH	HEIGHT	
AX	40mm	40mm	60mm	75mm
	55mm	40mm	75mm	105mm
VX/LX	40mm	50mm	65mm	75mm
LX	55mm	50mm	80mm	105mm

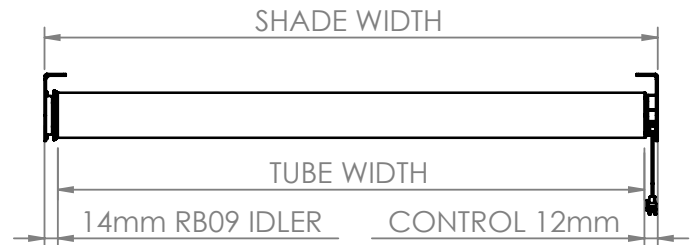


CONTROL OPTIONS	MINIMUM SHADE WIDTH (no covers)	TUBE DEDUCTIONS	
		NO BRACKET COVERS	WITH BRACKET COVERS
ZERO DC 1.1Nm	432mm	26mm	*28mm
ZERO DC 2.0Nm	576mm		

*Add +1mm to deductions for Motor Cover installations.

TUBE WIDTH = SHADE WIDTH - [CONTROL + IDLER]

Minimum Shade Width based on 5mm gap between hardware in tube.

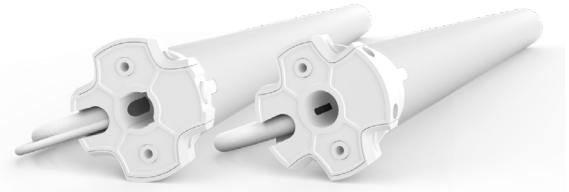


DOUBLE BRACKETS	MAX ROLL	SLIM PROFILE TOP-FRONT Fabric Roll Options	SLIM PROFILE TOP-BACK Fabric Roll Options	SQUARE-X Fabric Roll Options	SLIMLINE-X Fabric Roll Options
SLIM PROFILE/SQUARE-X	70mm				
SLIMLINE-X	65mm				

MOTORS | AC

FEATURES & BENEFITS

- Compatible with building automations system controllers.
- Control large shades with 6Nm of torque and 33rpm.
- Constant power.
- Manually set and adjust the limits of M6 motors.
- HD Adapter for double bracket installations.



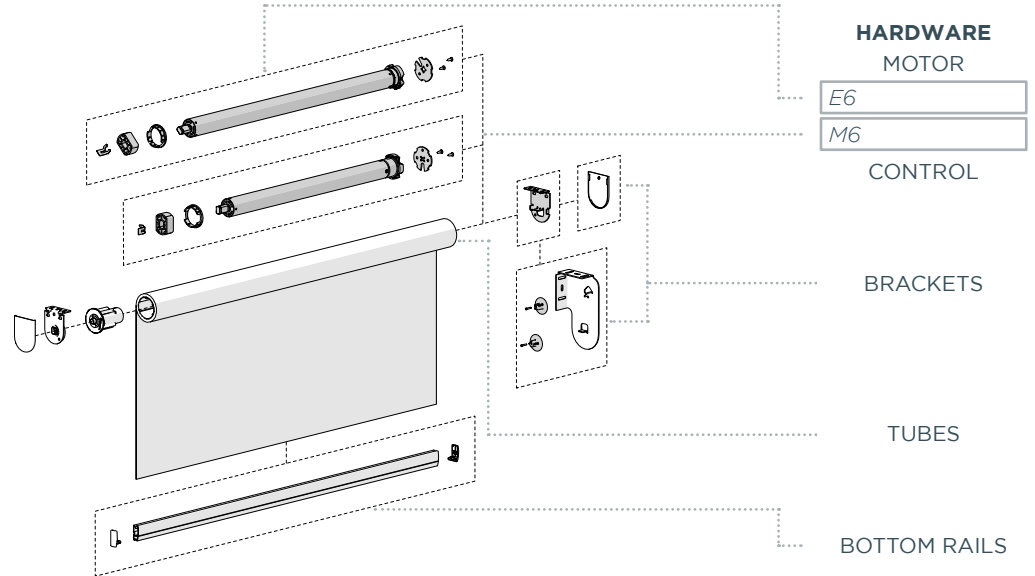
COLOUR RANGE

pure white

WEBPAGE LINK

MOTOR HARDWARE

7 YEAR WARRANTY



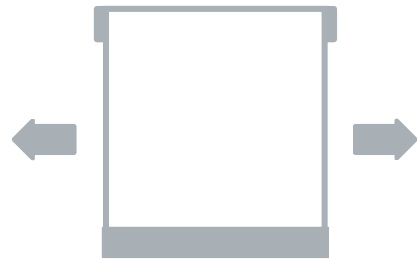
KEY SYSTEM FEATURES

BUILDING AUTOMATION SYSTEM CONTROLLERS



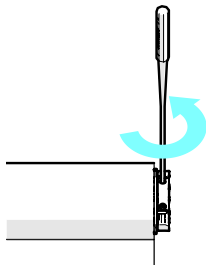
M6 AC Motor integration with smart building controllers.

ACHIEVE LARGER WINDOWS OR HEAVIER SHADES



6Nm TORQUE, 33rpm SPEED

MANUAL AUTOMATE M6 LIMIT SETTING



Manually set/adjust the limits of the M6 motor without electronic wireless controllers.

AUTOMATE E6 CONTROLLERS



Compatible with Automate ARC range of controllers.

MEDIUM SYSTEM UPGRADES & OPTIONS:

S45 TO S60

WIRE GUIDE

EASY-LINK

MOUNTING RAIL

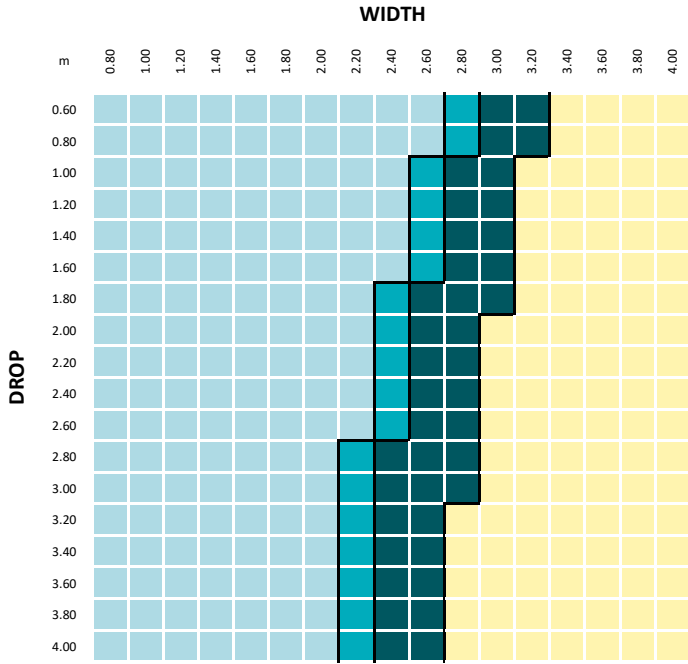
FRS VALANCE

P95 PELMET

CF90

MOTORS | AC SPECIFICATIONS

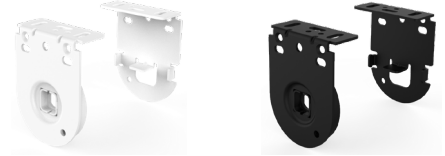
TUBE CAPACITY



TUBES	6.0Nm	PARAMETERS:
S45 LIGHT		FABRIC DENSITY: 390gsm
S45 STANDARD		FABRIC THICKNESS: 0.6mm
S45 HEAVY DUTY		WEIGHT BAR: D30 Bottom Rail
LINKED		TUBE DEFLECTION: 1.05mm/m

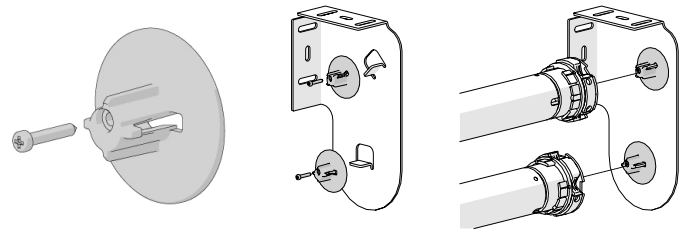
AC MOTOR DEDICATED SINGLE BRACKETS

Brackets designed to handle the increased motor capacity.



DOUBLE BRACKET COMPATIBILITY

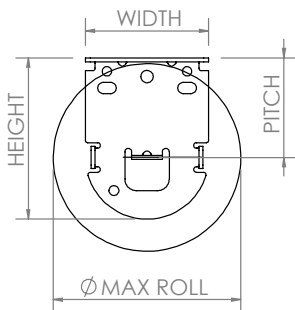
The HD Adapter increases the strength of the bracket for optimal compatibility with the Rollease Acmeda 6.0Nm motors.



LIFTING CAPACITY	TUBE		
	S45 LT	S45 STD	S45 HD
6Nm	28.3kg	27.7kg	25.0kg

TECHNICAL DATA

SINGLE BRACKETS	SPECIFICATIONS			MAX ROLL
	PITCH	WIDTH	HEIGHT	
LX M40 RB08	40mm	50mm	65mm	75mm
	55mm	50mm	80mm	105mm
LX M40 RB09	40mm	50mm	65mm	75mm
	55mm	50mm	80mm	105mm

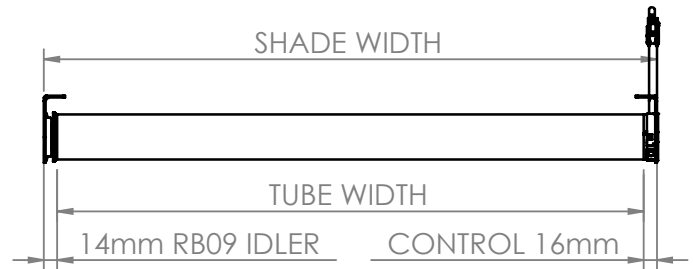


CONTROL OPTIONS	MINIMUM SHADE WIDTH (no covers)	TUBE DEDUCTIONS	
		NO BRACKET COVERS	WITH BRACKET COVERS
E6	674mm	30mm	32mm
M6	567mm	30mm	32mm

TUBE WIDTH = SHADE WIDTH - [CONTROL + IDLER]

DOUBLE BRACKETS = ADD 2mm to all values in above table.

Minimum Shade Width based on 5mm gap between hardware in tube.



DOUBLE BRACKETS	MAX ROLL	SLIM PROFILE TOP-FRONT Fabric Roll Options	SLIM PROFILE TOP-BACK Fabric Roll Options	SQUARE-X Fabric Roll Options	SLIMLINE-X Fabric Roll Options
SLIM PROFILE/SQUARE-X	70mm				
SLIMLINE-X	65mm				

EASY SPRING AIR

FEATURES & BENEFITS

- A child-safe, chain-free shading solution.
- Intuitive operation, simply position the shade by raising or lowering the bottom rail.
- Fully adjustable spring ensures a perfectly balanced shade in every installation.
- Limiter prevents accidental pre-tension loss.
- Tension Lock securely retains pre-tension during transportation, reducing installation time.
- Can be made as narrow as 595mm, perfect for small window applications such as bathroom windows.



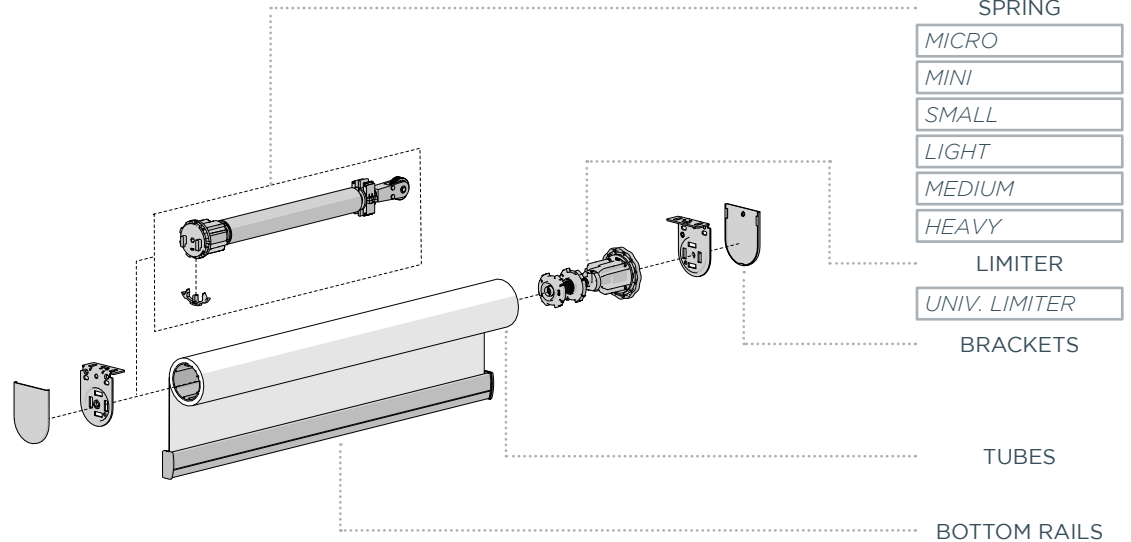
COLOUR RANGE

pure white

WEBPAGE LINK

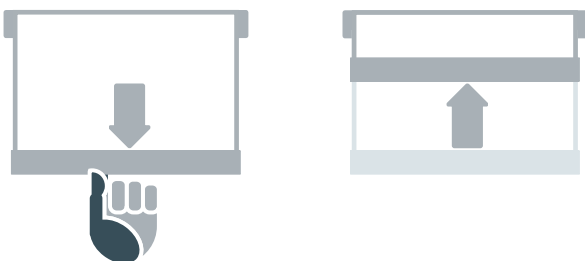
HARDWARE

5 YEAR WARRANTY



KEY SYSTEM FEATURES

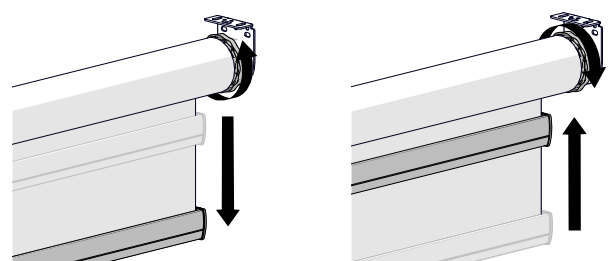
BALANCED SHADE



1. Pull Bottom Rail downwards and release at desired location.

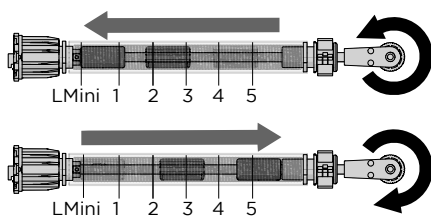
2. Raise Bottom Rail and release at desired location.

TOP LIMIT POSITION



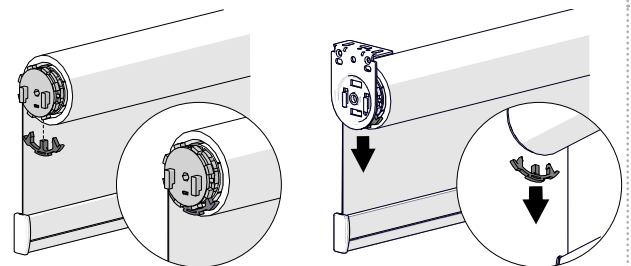
Rotate Limiter head to adjust the top limit position once installed.

ADJUSTABLE SPRING TENSION



Spring rate can be easily adjusted via the wheel to ensure a perfectly balanced shade is achieved.

TENSION LOCK FOR HANDLING



Attach Pre-Tension Retaining Clip during assembly.

Remove Pre-Tension Retaining Clip after installation.

SYSTEM UPGRADES

MOUNTING RAIL

FRS VALANCE

P95 PELMET

CF90

EASY SPRING AIR SPEC.

SYSTEM RECOMMENDATIONS

Follow system recommendations for optimal performance.

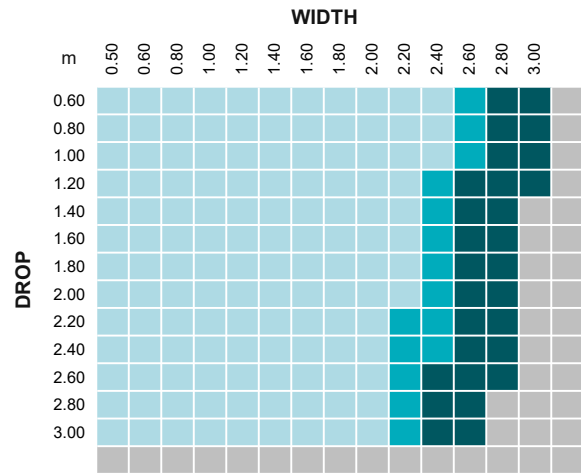
Please refer to the support documentation on the ESA product page to generate recommendations for spring selection, plug position and number of pre-turns for specific shade parameters.

Use the Roller Shade Calculator for configuring individual shades.

Use the ESA Chart Generator to generate a system chart for specific fabric, tube & bottom rail combinations.

Balanced systems perform optimally when the bottom rail weighs approximately 500g/m. Ensure the specific weight is used with the calculators.

TUBE CAPACITY

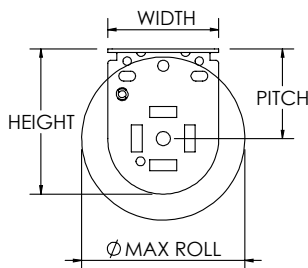


TUBE	PARAMETERS:
S45 LT	FABRIC DENSITY: 390gsm
S45 STD	FABRIC THICKNESS: 0.6mm
S45 HD	WEIGHT BAR: D30 + Ballast (500g/m)
OUTSIDE PRODUCT SPECIFICATION	

NOTE: Using alternative parameters will change the system capacity.

TECHNICAL DATA

SINGLE BRACKETS	SPECIFICATIONS			MAX ROLL
	PITCH	WIDTH	HEIGHT	
LX 40mm	40mm	50mm	65mm	75mm



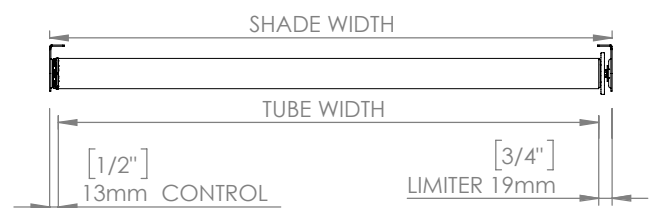
SPRING CAPACITY	LIFTING CAPACITY		
	S45 LT TUBE	S45 STD TUBE	S45 HD TUBE
MICRO	0.39kg	0.38kg	0.34kg
MINI	1.07kg	1.04kg	0.94kg
SMALL	1.00kg	0.97kg	0.87kg
LIGHT	1.72kg	1.68kg	1.51kg
MEDIUM	3.67kg	3.59kg	3.22kg
HEAVY	4.99kg	4.88kg	4.38kg

SPRING SIZE	MINIMUM SHADE WIDTH*	TUBE DEDUCTION*
MICRO	498mm	32mm
MINI	498mm	
SMALL	700mm	
LIGHT	700mm	
MEDIUM	1010mm	
HEAVY	1110mm	

*Add +2mm for bracket covers.

TUBE WIDTH = SHADE WIDTH - [TUBE DEDUCTIONS]

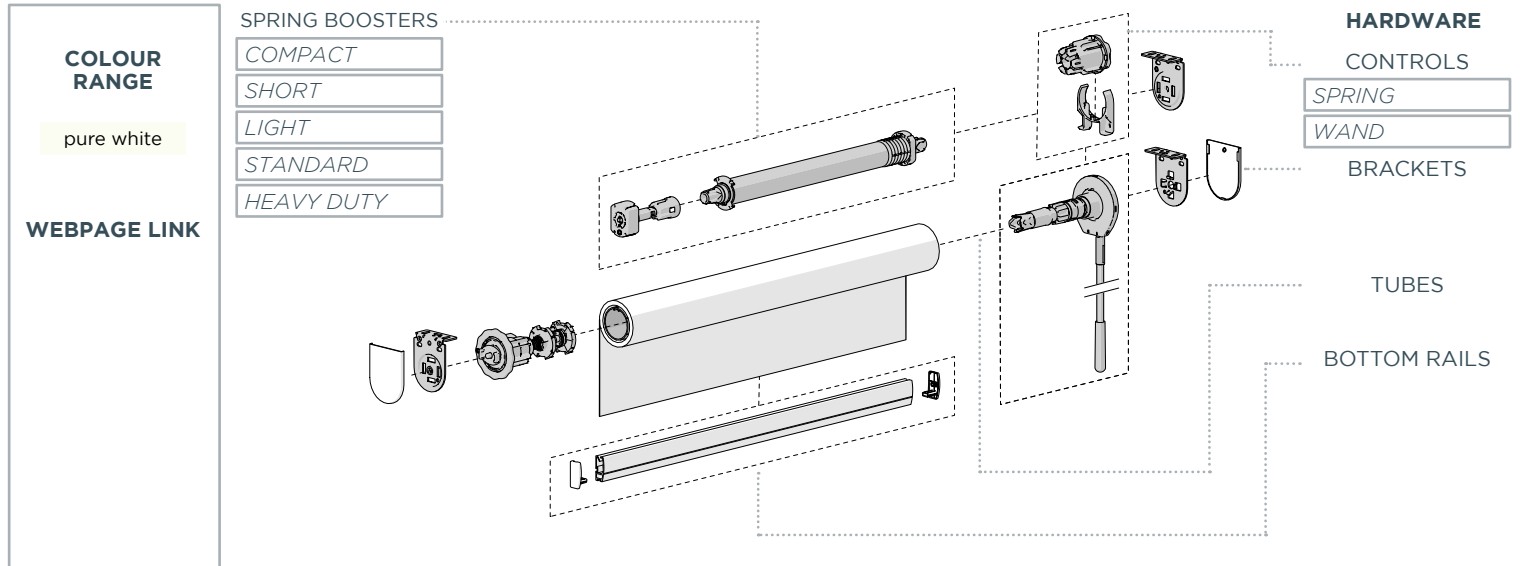
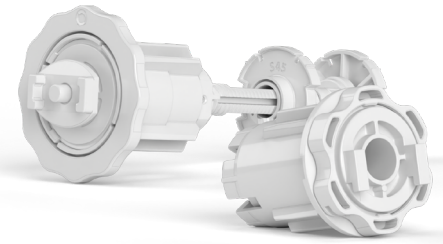
Minimum Shade Width based on 5mm gap between hardware in tube.



EASY-SPRING ULTRA/WAND

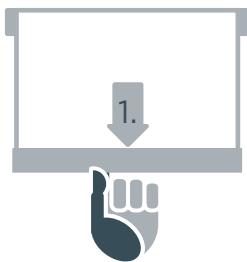
FEATURES & BENEFITS

- An effortless semi-automatic rise of shade through the tug of the Bottom Rail.
- On-site fine tuning of shade's top limit through innovative Limiter design.
- Decelerator provides controlled auto-rise & stop of shade.
- Optional wand control for hard-to-reach installations in Right and Left hand orientation.
- A child-safe chain & cord-free system solution.

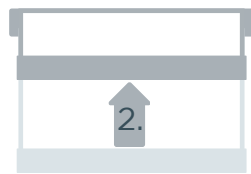


KEY SYSTEM FEATURES

SEMI AUTOMATIC RISE

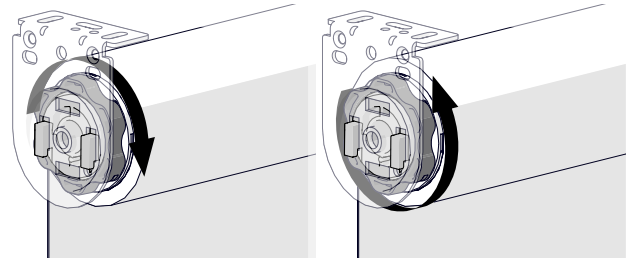


1. Tug Hem bar downwards and release.



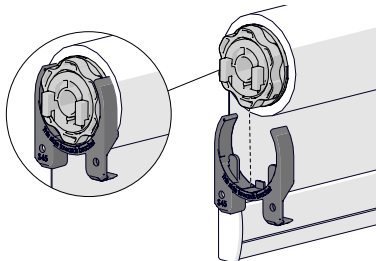
2. Shade will auto-rise to top limit.

SPRING CONTROL WITH TENSION ADJUSTMENT



Rotate spring Control head to add/remove tension of spring while shade is installed.

SECURE TENSION DURING TRANSPORTATION



Pre-tension Retaining Clip is easy to locate + detach after installation.

WAND CONTROL OPTION



Access hard to reach installations with Easy Spring Wand. (Control shade by Wand or Bottom Rail).

SYSTEM UPGRADES

EASY-LINK

MOUNTING RAIL

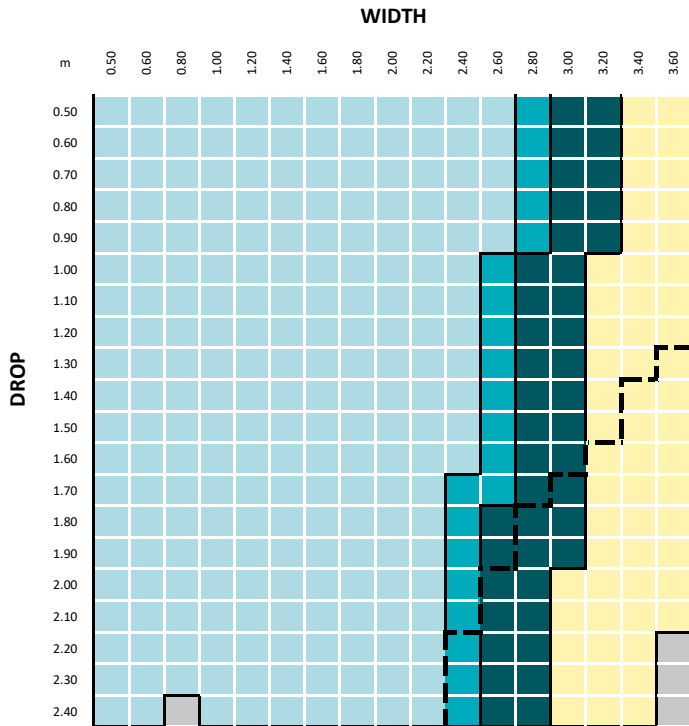
FRS VALANCE

P95 PELMET

CF90

EASY-SPRING SPECIFICATIONS

SYSTEM CAPACITY



TUBE

S45 LT	
S45 STD	
S45 HD	
LINKED	
OUTSIDE PRODUCT SPECIFICATION	
OUTSIDE ESW USER EFFORT	

PARAMETERS:

FABRIC DENSITY: 420gsm
 FABRIC THICKNESS: 0.6mm
 WEIGHT BAR: D30 Bottom Rail
 MIN WIDTH = 460mm
 SEE ESU_W Pretension Charts
 FOR FURTHER INFORMATION

EASY-SPRING BOOSTER SPECIFICATIONS

COMPACT BOOSTER	BOOSTERS
SHADE SIZE: 462mm-579mm	SHADE SIZE: Greater than 580mm
COMPACT LIMITER MAX TURNS: 15 MAX DROP: 2.2m	UNIVERSAL LIMITER MAX TURNS: 33 MAX DROP: 4m
Compact Booster is an all in one design, with Control, Booster and Decelerator combined.	Booster assembly requires: •Control •Booster •Decelerator
Left Hand control only.	Left Hand & Right Hand control options.
Not compatible with Easy Spring Wand.	Compatible with Easy Spring Wand. Shade size greater than 675mm.

EASY-SPRING COMPONENTS COLOUR CODED FOR ASSEMBLY

LEFT HAND CONTROL

RIGHT HAND CONTROL

BOOSTER + CHAINFREE CONTROL ASSEMBLY

Attach to **BLUE** Connection

Attach to **RED** Connection

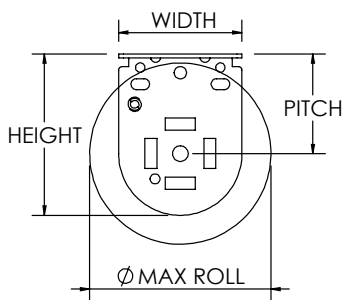
BOOSTER + DECELERATOR ASSEMBLY

BLUE Decelerator to **RED** Connection

RED Decelerator to **BLUE** Connection

TECHNICAL DATA

SINGLE BRACKETS	SPECIFICATIONS			MAX ROLL
	PITCH	WIDTH	HEIGHT	
LX	40mm	50mm	65mm	75mm



HOLDING CAPACITY	TUBE		
	S45 LT	S45 STD	S45 HD
COMPACT	1.6kg	1.5kg	1.4kg
SHORT	1.5kg	1.5kg	1.3kg
LIGHT	2.1kg	2.1kg	1.9kg*
STANDARD	4.3kg	4.2kg	3.3kg*
HEAVY DUTY	4.9kg	4.4kg*	3.3kg*

*Limited by system capacity

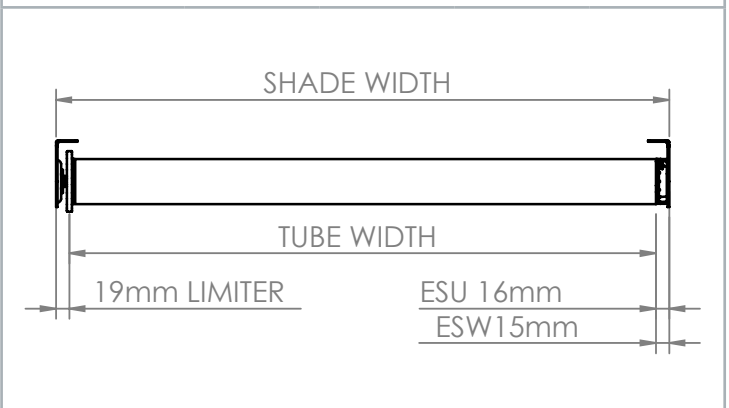
BOOSTER SIZE	MINIMUM SHADE WIDTH		TUBE DEDUCTION**	
	ULTRA	WAND	ULTRA	WAND
COMPACT*	462mm	N/A	35mm	34mm
SHORT	580mm	675mm		
LIGHT	762mm	857mm		
STANDARD	915mm	1010mm		
HEAVY DUTY	1042mm	1139mm		

*Add 18mm to minimum shade size for Universal Limiter

**Add +2mm to tube deductions for bracket covers.

TUBE WIDTH = SHADE WIDTH - [TUBE DEDUCTIONS]

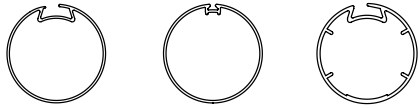
Minimum Shade Width based on 5mm gap between hardware in tube.



ALUMINIUM TUBES

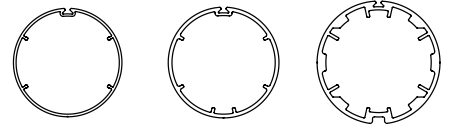
TECHNICAL DATA

S40



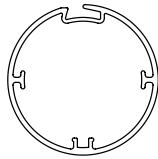
	TYPE	39 SPLINE	T-SPLINE	HD
	O.D.	39.0mm	39.4mm	40.0mm
	D/S TAPE	✓	✓	-
	T-SPLINE	-	✓	-
	9mm FLAT SPLINE	✓	-	✓
CHAIN	RB07	✓	✓	✓
	RB08	✓	✓	✓
	RB09	-	-	-
MOTOR	0.7Nm, 1.1Nm	-	✓	-
	2.0,3.0,6.0Nm	-	-	-
SPRING	ESU	-	-	-

S45



	TYPE	LIGHT	STD	HD
	O.D.	43.0mm	44.0mm	49.0mm
	D/S TAPE	✓	✓	✓
	T-SPLINE	✓	✓	✓
	9mm FLAT SPLINE	-	-	-
CHAIN	RB07	✓	✓	✓
	RB08	✓	✓	✓
	RB09	✓	✓	✓
MOTOR	0.7Nm, 1.1Nm	✓	✓	✓
	2.0,3.0,6.0Nm	✓	✓	✓
SPRING	ESU	✓	✓	✓

S60



	TYPE	S60
	O.D.	60.0mm
	D/S TAPE	✓
	T-SPLINE	-
	9mm FLAT SPLINE	✓
CHAIN	RB07	-
	RB08	-
	RB09	✓
MOTOR	0.7, 1.1, 2.0Nm	-
	3.0, 6.0Nm	✓
SPRING	ESU	-

BRACKETS | SINGLE

FEATURES & BENEFITS

- Easy-Lock assembly to simplify installation.
- Available in multiple styles.
- Specialised brackets optimised & designed for specific systems.
- Colour matched bracket covers to hide hardware.
- HD Adapter increases the standard bracket's strength for larger motors.



MOUNTING SOLUTIONS



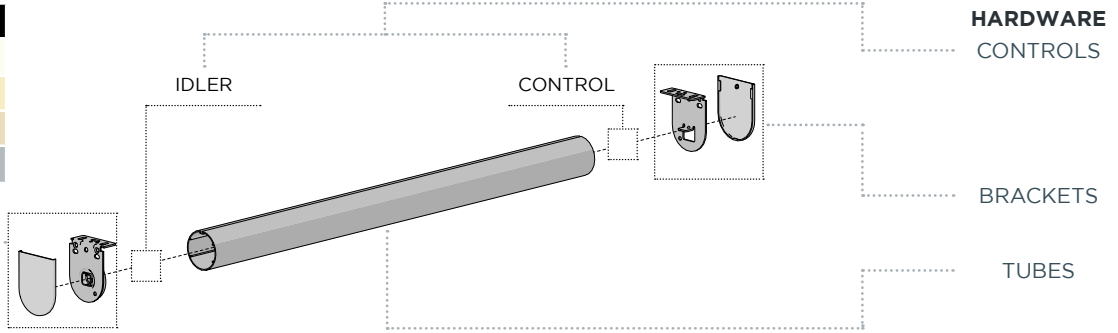
OPTIONS

40 & 55 PITCH

COVERS

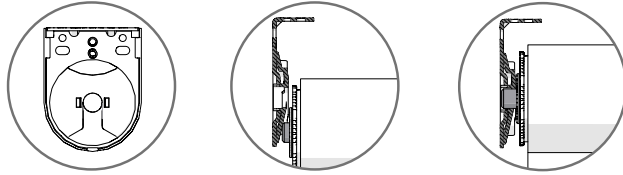
HD ADAPTER

- black
- pure white
- sandstone
- barley
- silver grey



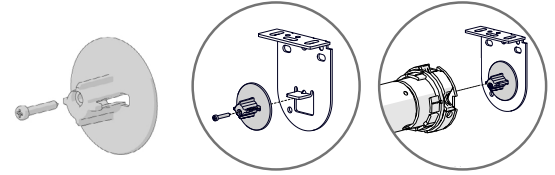
EASY-LOCK TECHNOLOGY

Slide the idler pin up the ramp located on the idler bracket. Idler pin depresses and then extends once in place - securing the shade.

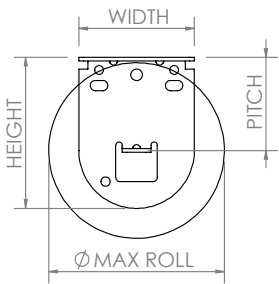


HEAVY DUTY ADAPTER

The HD Adapter is required for all 3.0Nm and 6.0Nm motors not using the LX M40 bracket series.



TECHNICAL DATA



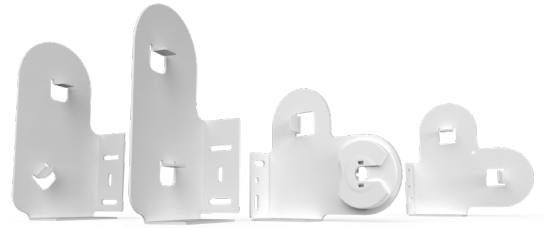
PITCH	MAX ROLL
40mm	75mm
55mm	105mm

	IMAGE	DESCRIPTION	BRACKET WIDTH [mm]		BRACKET HEIGHT [mm]		BRACKET COVERS		MOTOR				IDLER		USE WITH						
			PITCH [mm]				RB07/08	RB09	0.7, 1.1, 2.0Nm 5V	3.0Nm 12V	6.0Nm AC	ESU/ESW/ESA	RB08	RB09	S45 TO S60	MOUNTING RAIL	EASY-LINK	FRS VALANCE	P95	CF90	
AX		A slim, Easy-Lock bracket, that is also a cost effective solution to suit narrow windows, doors or architraves.	40	60	✓	✓	✓	✓								✓	✓				
			55	75												✓	✓	✓			
VX		Easy-Lock bracket that provides a clean silhouette to match hardware when seen without bracket covers.	50	40	65	✓	✓	✓	✓								✓		✓	✓	✓
LX		Standard Easy-Lock brackets available in two visual styles, provides a refined, finished aesthetic.	50	40	65	✓	✓	✓	✓					✓	✓		✓	✓	✓	✓	✓
LX		LX Skyline has been optimised for use with Easy Spring controls.	50	40	65	✓										✓		✓	✓	✓	

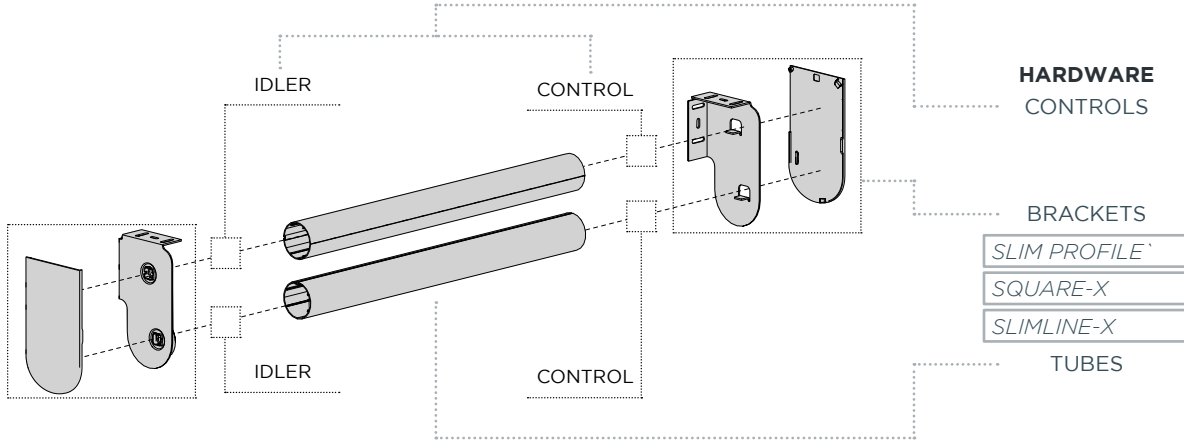
BRACKETS | DOUBLE

FEATURES & BENEFITS

- Combine sheer fabric and block-out fabric in one installation.
- Ultimate privacy while still allowing light into any given room.
- Easy-Lock assembly to simplify installation.
- Available in multiple configurations for every application.
- HD Adapter increases the standard bracket's strength for larger motors.
- Bracket covers offer a finished solution for Slim Profile double brackets.



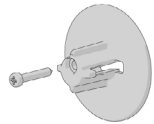
MOUNTING SOLUTIONS



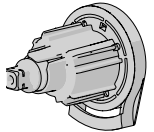
COLOUR RANGE

- black
- pure white
- sandstone
- barley
- silver grey

OPTIONS



HD ADAPTER



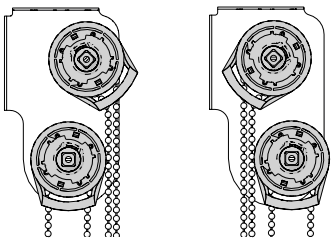
RB09 Direct with Chain Guide

FABRIC ORIENTATION

SLIM PROFILE TOP-FRONT	SLIM PROFILE TOP-BACK	SQUARE-X	SLIMLINE-X

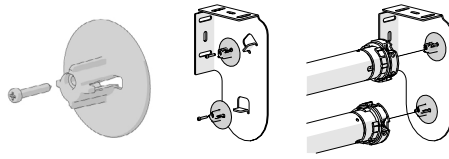
TECHNICAL DATA

SLIM PROFILE WITH RB09:
TOP FRONT TOP BACK



INCREASED DOUBLE BRACKET
CAPACITY WITH THE HD ADAPTER

The HD Adapter is required for all 3.0Nm and 6.0Nm motors.



			MAX ROLL SIZE (x2)	BRACKET COVERS		WINDER	MOTOR	MOTOR & HD ADAPTER	SPRINGS	IDLER	UPGRADE	
				RB07/08	RB09	RB07/08	RB09	0.7, 1.1, 2.0Nm 5V	3.0Nm 12V	6.0Nm AC	ESU / ESW	RB07/08
SLIM PROFILE TOP FRONT		Top Front configured brackets use front over-rolled fabric to conceal both rolls. The Top Front chain control is installed on a 45° angle for improved operating experience.	70mm	✓	✓	✓	✓	✓	✓	✓	✓	✓
SLIM PROFILE TOP BACK		Slim profile bracket has both controls located on the same side to minimise footprint in living space. Top Back configured brackets have the back roll at the top for optimum light blocking.	70mm	✓	✓	✓	✓	✓	✓	✓	✓	✓
SQUARE-X		Square profile bracket with both tube controls located on the same bracket side.	70mm	✓	✓	✓	✓	✓	✓	✓	✓	✓
SLIM-LINE-X		Square profile bracket with controls located on the opposite sides. Separating one chain control to each side simplifies operation for the user.	65mm	✓	✓	✓	✓	✓	✓	✓	✓	✓

BOTTOM RAILS

FEATURES & BENEFITS

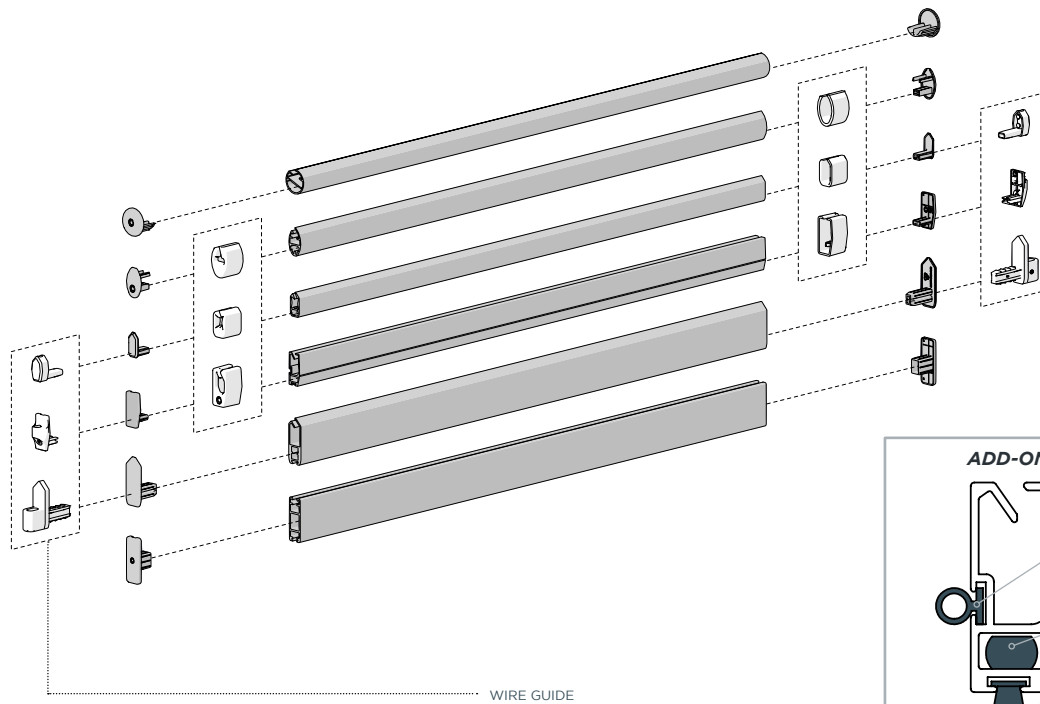
- Variety of sizes to suit all shade solutions.
- Multiple add-ons available to customise installation.
- Ends caps suitable to specific upgrades.
- Feed funnels available to assist in assembly.



COLOURS
REFER TO
CATALOGUE

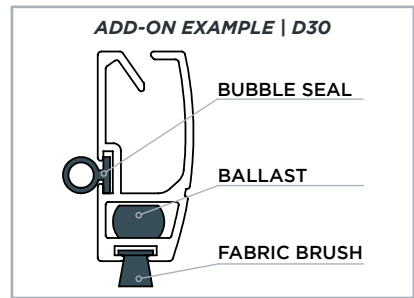
OPTIONS

- BUBBLE SEAL
- FABRIC BRUSH
- BALLAST
- FABRIC WRAP

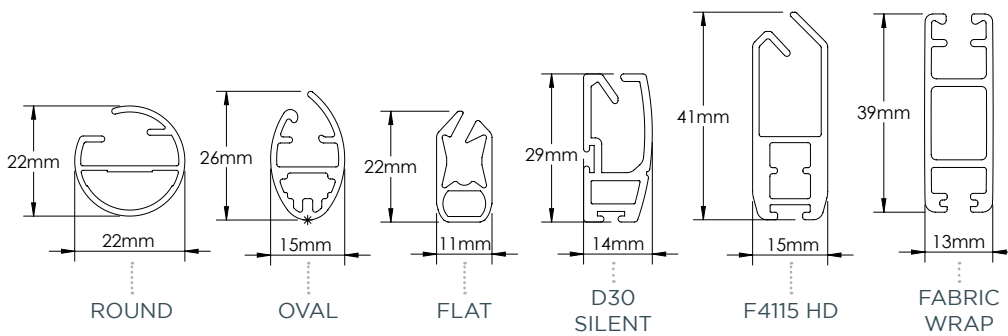


HARDWARE
BOTTOM RAILS

ROUND
OVAL
FLAT
D30 SILENT
F4115 HD
FABRIC WRAP

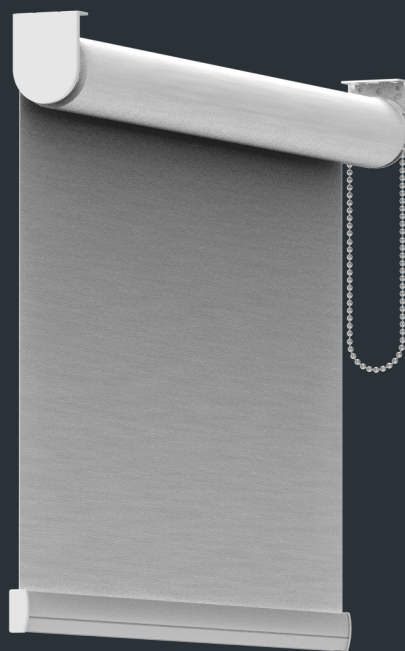


TECHNICAL DATA



		Bottom Rail COMPATIBILITY										
		FLAT SPLINE 8.7mm	FLAT SPLINE 9mm	FLAT SPLINE 10mm	FLAT SPLINE 15mm	FABRIC FEEDING FUNNELS	FABRIC WRAP	BALLAST	FABRIC BRUSH	BUBBLE SEAL	DIM-OUT	WIRE GUIDE END CAPS
ROUND BOTTOM RAIL	Round aesthetic.			✓	✓			✓				
OVAL BOTTOM RAIL	Oval aesthetic.			✓		✓		✓				
FLAT BOTTOM RAIL	Compact & small square design.			✓		✓		✓			✓	✓
D30 SILENT BOTTOM RAIL	Premium solution. Fabric brush & bubble seal compatible to reduces noise and light gap.				✓	✓		✓	✓	✓	✓	✓
F4115 HD BOTTOM RAIL	Additional weight ballast achieves optimal fabric performance.				✓			✓	✓	✓	✓	✓
FABRIC WRAP BOTTOM RAIL	Suitable for fabric wrap solutions.	✓	✓				✓	✓				

SYSTEM UPGRADES & OPTIONS



SYSTEM UPGRADES & OPTIONS

<p>28 S45 TO S60 ADAPTOR</p>	<ul style="list-style-type: none"> Utilise S45 hardware with S60 tube to improve shade performance. LX 55mm Brackets offer a larger maximum roll diameter with a slimmer aesthetic.
<p>29 INTERNAL WIRE GUIDE</p>	<ul style="list-style-type: none"> Secure guide, aiding & controlling unwanted shade movement.
<p>30 EASY-LINK</p>	<ul style="list-style-type: none"> Link multiple shades together while achieving a minimal light gap. Control multiple shades with one control unit OR use a dual control set-up.
<p>31 MOUNTING RAIL</p>	<ul style="list-style-type: none"> Solution for off-site assembly, achieving quicker installation times.
<p>32 FRS VALANCE</p>	<ul style="list-style-type: none"> Decorative partial fascia to conceal the shade hardware. Option to wrap the extrusion in the same fabric as the shade. Extrusion is available in multiple sizes to suit medium to large fabric rolls.
<p>33 PELMET 95</p>	<ul style="list-style-type: none"> Decorative partial fascia to conceal the shade hardware. Option to wrap the extrusion in the same fabric as the shade.
<p>34 CASSETTE FASCIA 90</p>	<ul style="list-style-type: none"> Premium decorative cover protects from dust. Available in Round or Square profiles. Optional Dim-OUT side guides for improved light blockout solution.

S45 TO S60 ADAPTOR

FEATURES & BENEFITS

- Utilise S45 hardware with S60 tubes to improve shade performance up to 3.4m x 2.4m.
- S45 55mm pitch LX Brackets achieve a larger roll diameter with a slimmer aesthetic.
- Use with 3.6m lengths of S60 Taped tube to reduce wastage.



MOUNTING SOLUTIONS

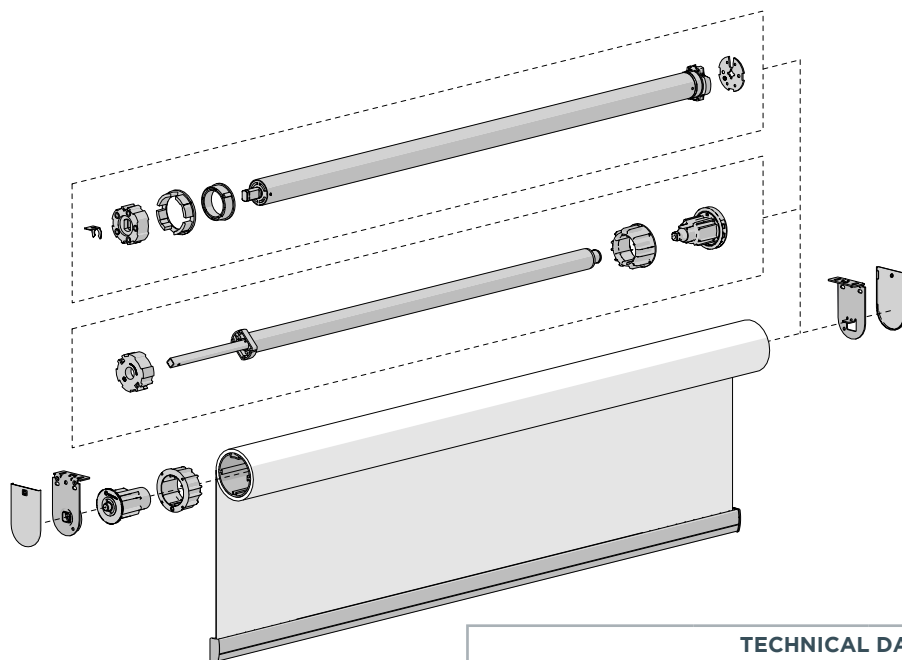


COLOUR RANGE

- black
- pure white
- sandstone
- barley
- silver grey

WEBPAGE LINK

SYSTEM UPGRADES



10 YEAR WARRANTY

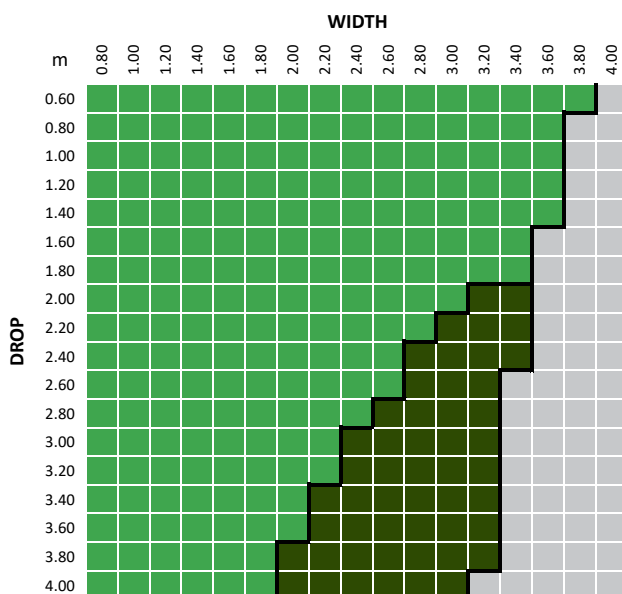
HARDWARE CONTROLS

BRACKETS

TUBES

BOTTOM RAILS

SYSTEM CAPACITY



BOOSTER

RECOMMENDED (Green)

REQUIRED (Dark Green)

***OUTSIDE SPECIFICATIONS** (Grey)

PARAMETERS:

FABRIC DENSITY: 390gsm

FABRIC THICKNESS: 0.6mm

WEIGHT BAR: D30 Bottom Rail

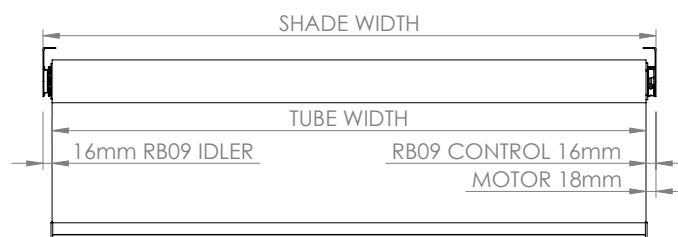
TUBE DEFLECTION: 1.05mm/m

TECHNICAL DATA

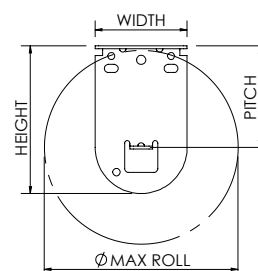
CONTROL OPTIONS	MINIMUM SHADE WIDTH (no covers)	TUBE DEDUCTIONS	
		NO BRACKET COVERS	WITH BRACKET COVERS
RB09 + HD BOOSTER	941mm	32mm	35mm
Li-ion 3.0Nm	943mm		
E6	674mm	34mm	36mm
M6	568mm		

TUBE WIDTH = SHADE WIDTH - [CONTROL + IDLER]

Minimum Shade Width based on 5mm gap between hardware in tube.



SINGLE BRACKETS	PITCH	WIDTH	HEIGHT	MAX ROLL
LX/LX M40	55mm	50mm	80mm	105mm



INTERNAL WIRE GUIDE

FEATURES & BENEFITS

- Secure guide, aiding & controlling unwanted movement.
- Tensioners available to suit Top or Face mount.
- Crimping & Wire cutting tools available.
- Wire mounting brackets can be mounted outside the bracket for a larger max roll or inside the bracket to reduce the visual footprint.



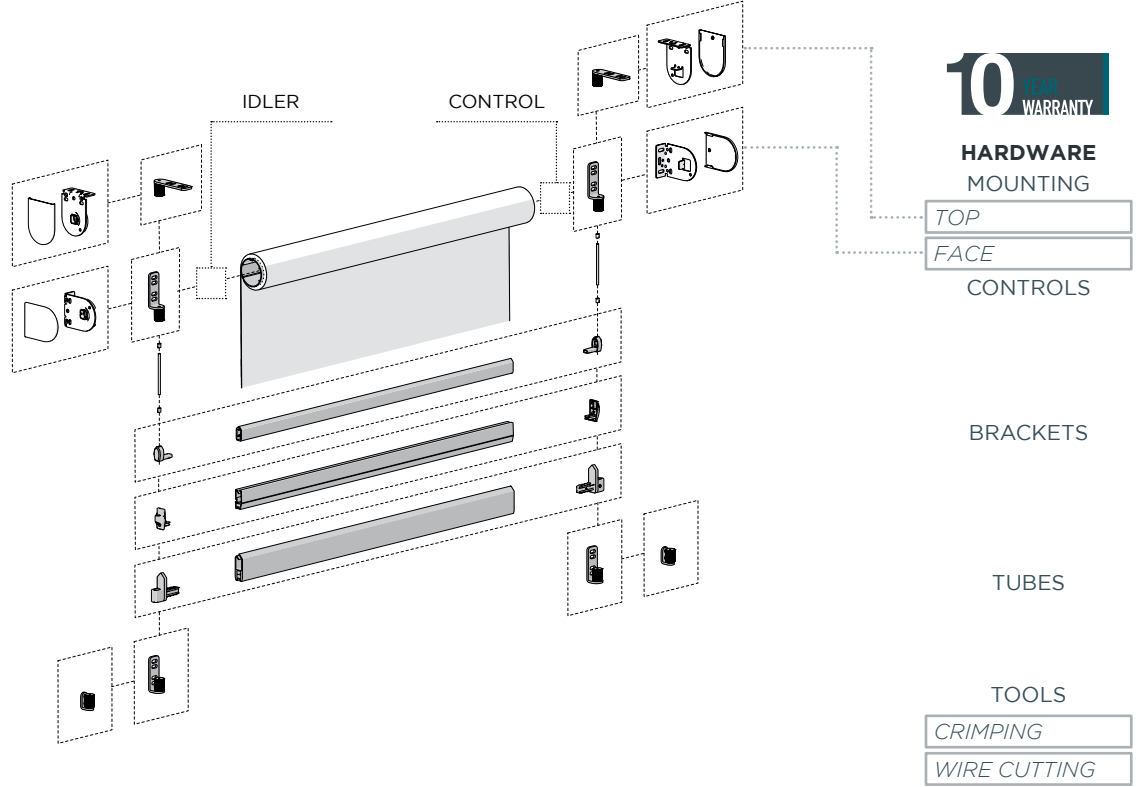
MOUNTING SOLUTIONS



COLOUR RANGE

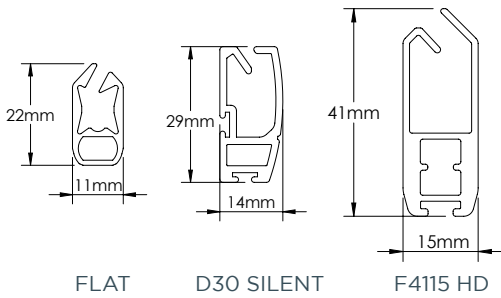
- black
- pure white
- sandstone
- silver grey

WEBPAGE LINK

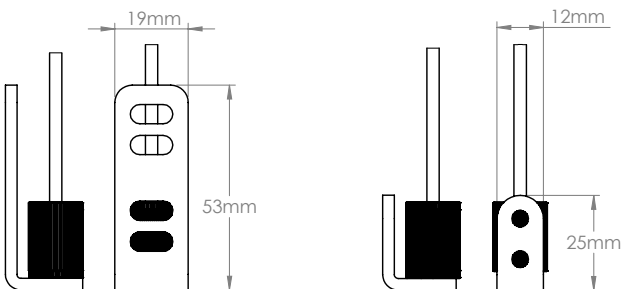


KEY SYSTEM FEATURES

BOTTOM RAILS

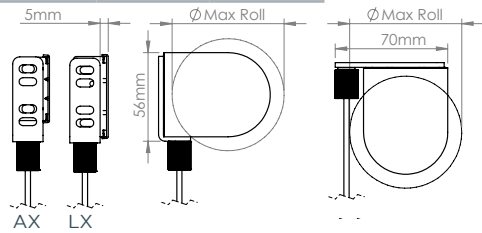
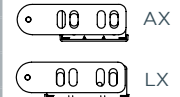


MOUNTING OPTIONS

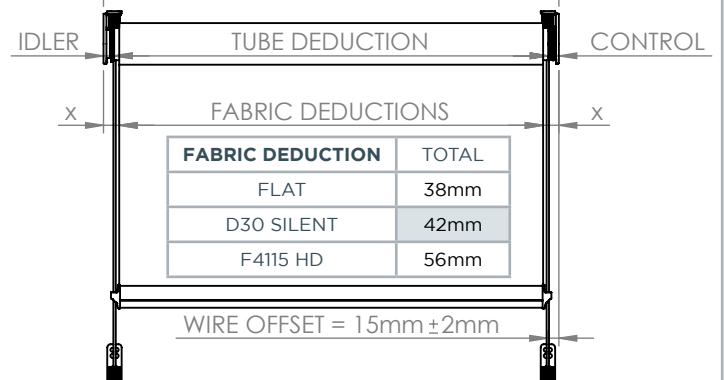


TECHNICAL DATA

Wire Guide Bracket Location	MAX ROLL	
	AX BRKT.	LX BRKT.
Inside Bracket	70mm	65mm
Outside Bracket	75mm	70mm



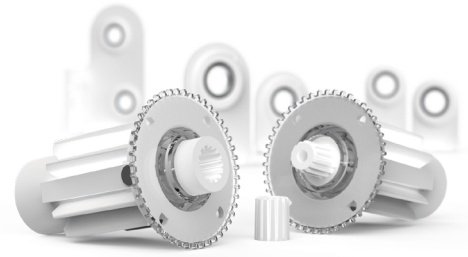
STANDARD SHADE WIDTH



EASY-LINK

FEATURES & BENEFITS

- Control multiple shades simultaneously.
- Optional adaptor plug allowing for independent shade control, if required.
- Minimal 17mm light gap between shades.
- Roller bearing ensures quiet & smooth operation.



MOUNTING SOLUTIONS

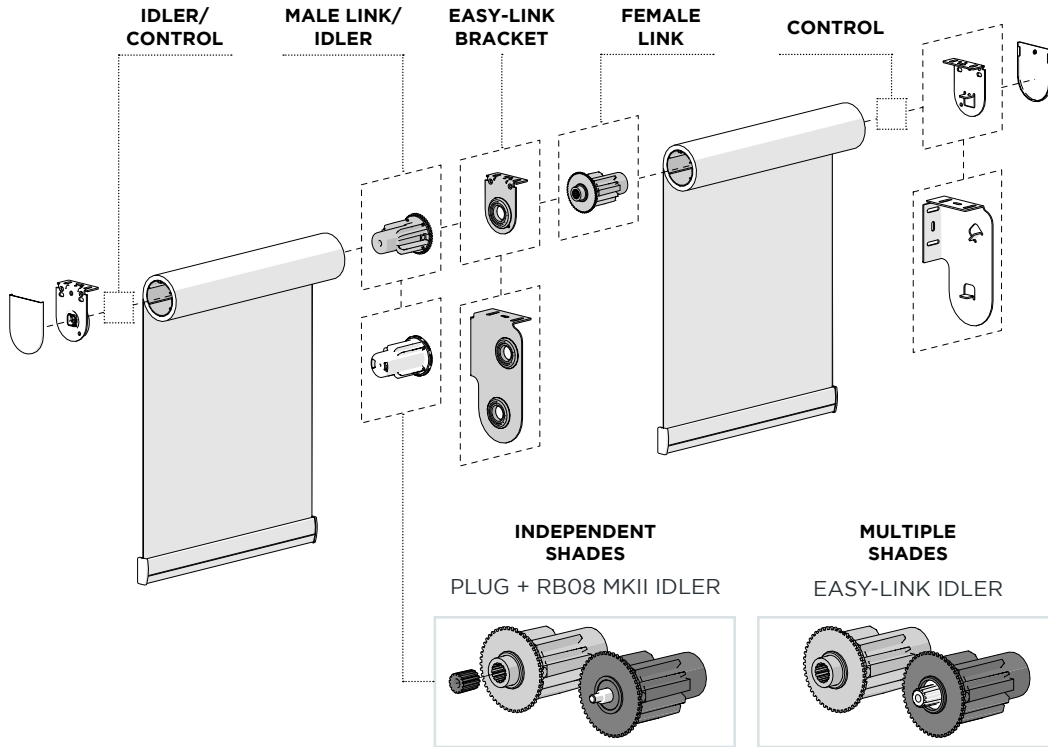


COLOUR RANGE

- black
- pure white
- sandstone
- barley
- silver grey

WEBSITE LINK

SYSTEM UPGRADES



10 YEAR WARRANTY

HARDWARE CONTROLS

BRACKETS

TUBES

BOTTOM RAILS

SYSTEM FEATURES

MULTIPLE SHADES

Cost effective control of multiple shades.

INDEPENDENT SHADES

Control each shade independently.

BOTTOM RAIL ALIGNMENT

Bottom Rail alignment can be adjusted during installation.

TECHNICAL DATA

MAX WEIGHT OF SYSTEM AFTER 1ST LINK

TUBES	STD	HD
S40	15.5kg	15.3kg

TUBES	LT	STD	HD
S45	14.1kg	13.9kg	12.5kg

Max torque of Easy-Link connection is 3Nm.

EASY-LINK SHADE WIDTH

19mm

IDLER CONTROL

MOUNTING RAIL

FEATURES & BENEFITS

- Option to completely assemble shade off-site for installation.
- Quick snap fit installation into the Universal Mounting Brackets.
- Curved design to maximise the roller drop.
- Compatible with LX/VX brackets.
- Dedicated bracket covers to match mounting rail silhouette.



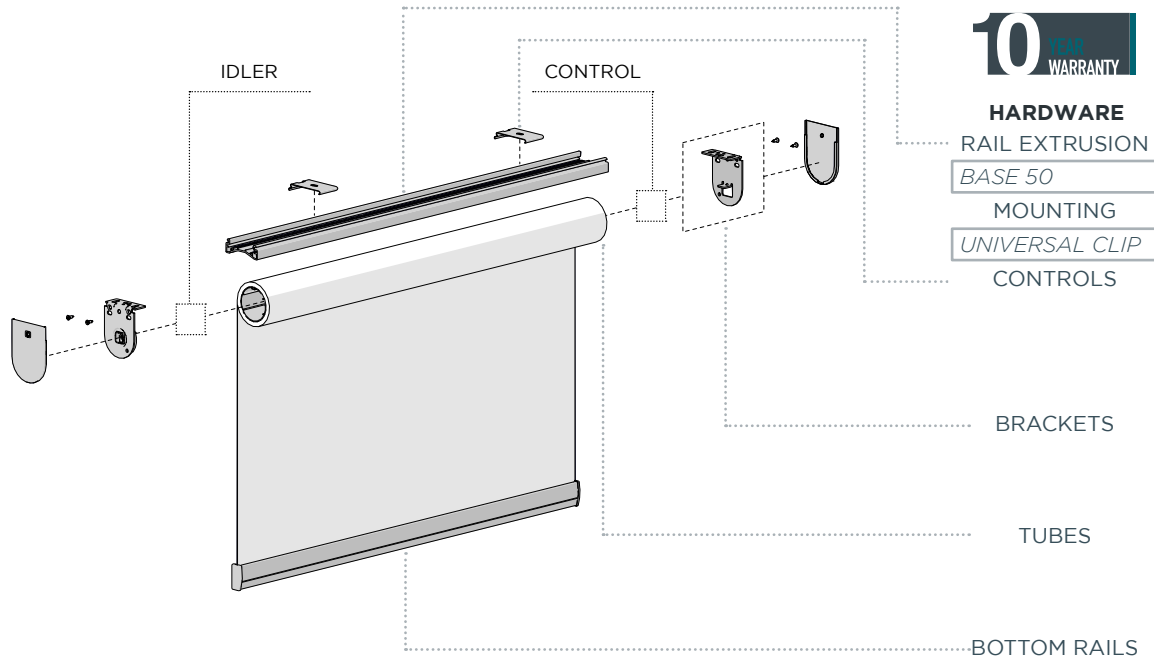
MOUNTING SOLUTIONS



COLOUR RANGE
pure white

WEBPAGE LINK

SYSTEM UPGRADES

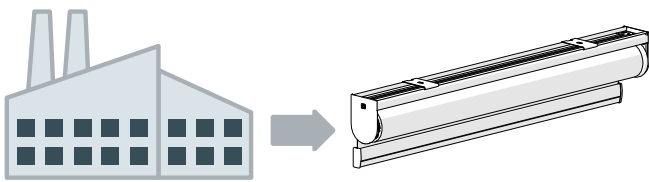


10 YEAR WARRANTY

HARDWARE
RAIL EXTRUSION
BASE 50
MOUNTING
UNIVERSAL CLIP
CONTROLS

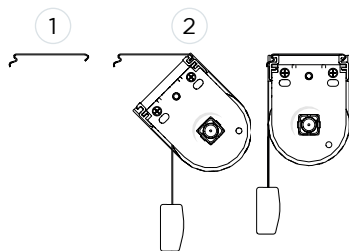
KEY SYSTEM FEATURES

PREFABRICATE + QUICK INSTALL



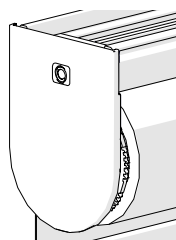
Simplified Off-site Assembly.

SNAP FIT INSTALLATION



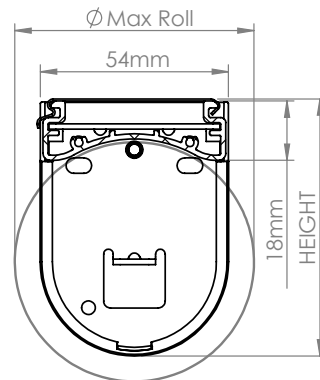
1. Install Bracket.
2. Snap-In assembly.

AESTHETICS

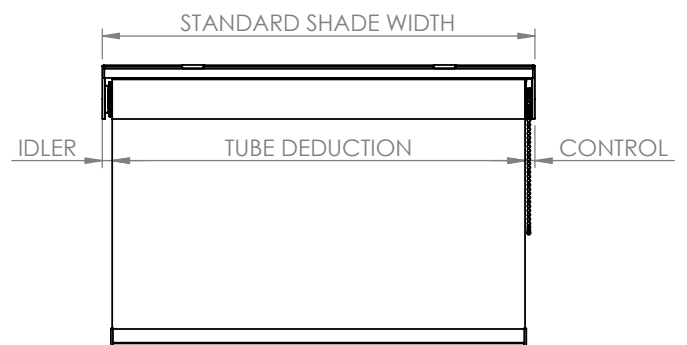


Dedicated bracket cover

TECHNICAL DATA



	RAIL BASE	50mm
	WIDTH	54mm
	COVERS	✓
HEIGHT	LX/VX 40	70mm
	LX 55	97mm
MAX ROLL	LX/VX 40	75mm
	LX 55	90mm



FRS VALANCE

FEATURES & BENEFITS

- Decorative cover.
- Available in 100mm & 120mm extrusions.
- Universal mounting.
- Snap-lock attachment of Valance.
- Recess application free of end caps.



MOUNTING SOLUTIONS

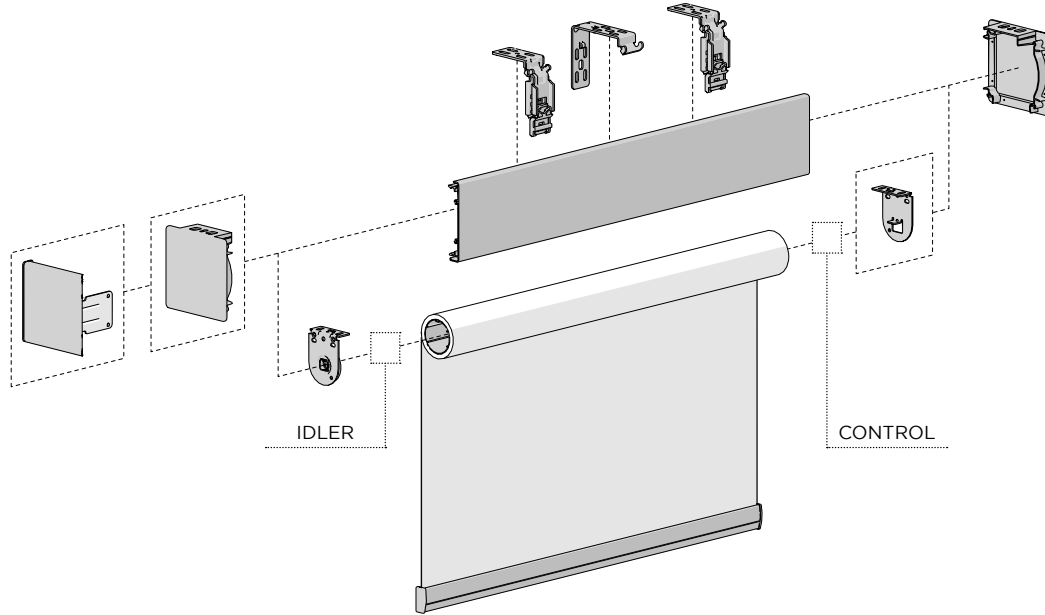


COLOUR RANGE

- black
- pure white
- sandstone
- silver grey

WEBPAGE LINK

SYSTEM UPGRADES



10 YEAR WARRANTY

HARDWARE MOUNTING

SNAP LOCK
FRS VALANCE
FRS 100
FRS 120
CONTROLS

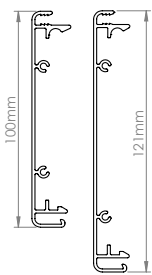
BRACKETS

TUBES

BOTTOM RAILS

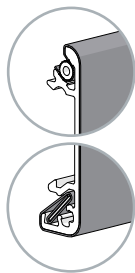
SYSTEM FEATURES

EXTRUSION OPTIONS



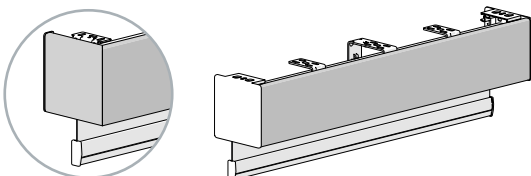
100 & 120

FABRIC WRAP



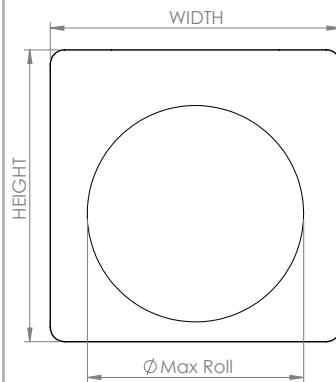
Round & Flat Spline

FRS CORNER RETURN

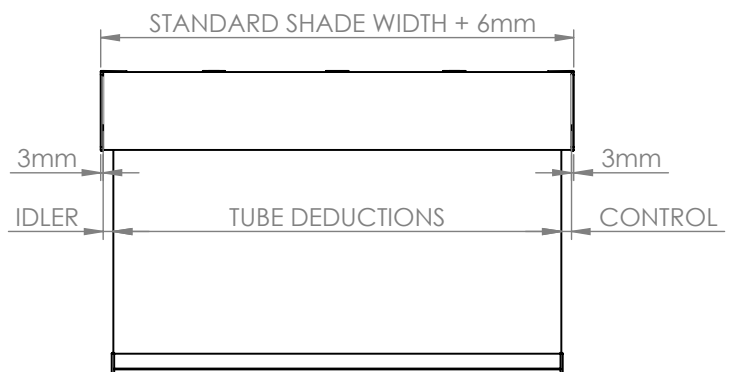


The FRS extrusion can be used as end caps for a uniform look.

TECHNICAL DATA



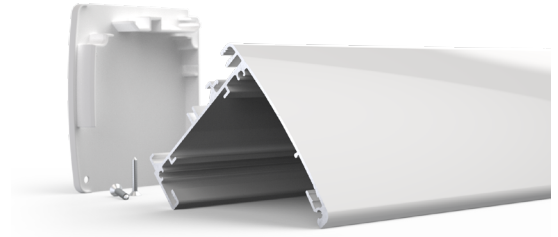
FRS	WIDTH	HEIGHT	MAX ROLL
100	102mm	103mm	76mm
120	123mm	124mm	92mm



PELMET 95

FEATURES & BENEFITS

- Spring loaded mounting brackets in Universal or Top/Face configurations.
- Colour coded end caps for optimised aesthetics.
- Fabric wrapping is optional.
- Zebra shade is optional.
- Screw feature to ensure secure hold of roller shade brackets to P95 extrusion.



MOUNTING SOLUTIONS

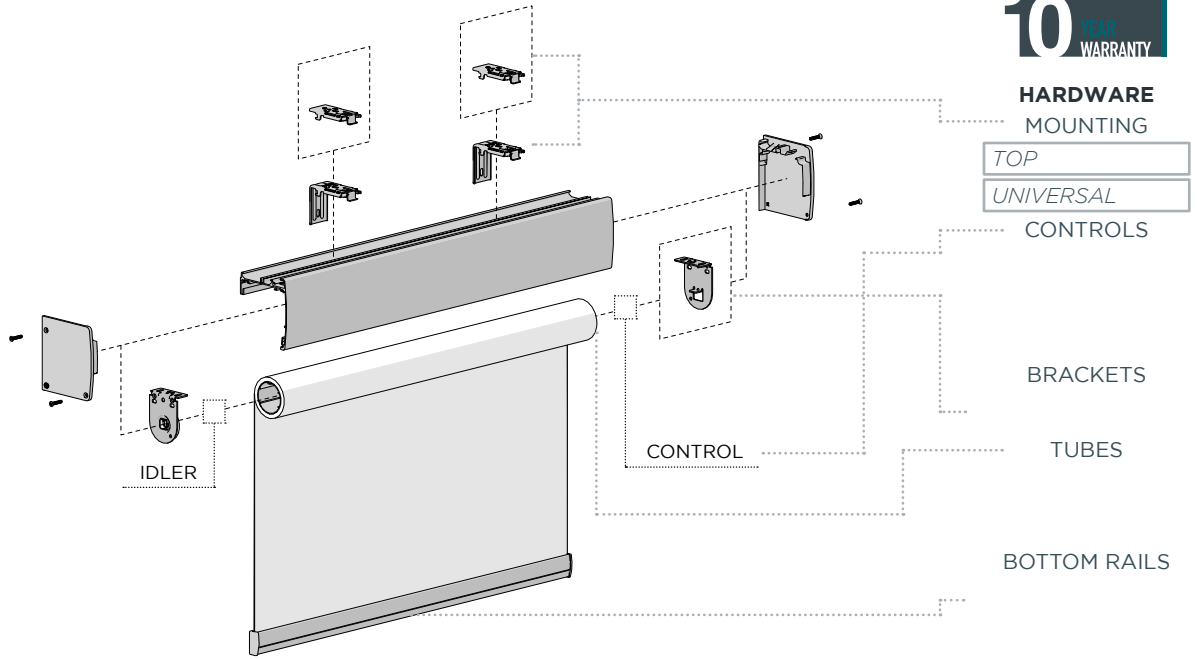


COLOUR RANGE

- black
- pure white
- sandstone
- silver grey

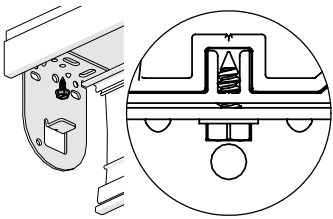
WEBPAGE LINK

SYSTEM UPGRADES



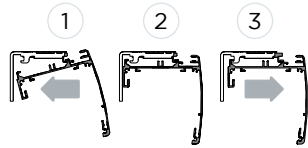
KEY SYSTEM FEATURES

SECURE ASSEMBLY



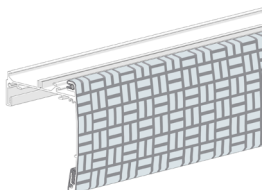
Lock brackets in place.

EASE OF INSTALLATION



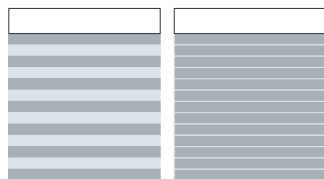
Universal OR Top Fix.
Simple push, align and release.

FABRIC WRAP



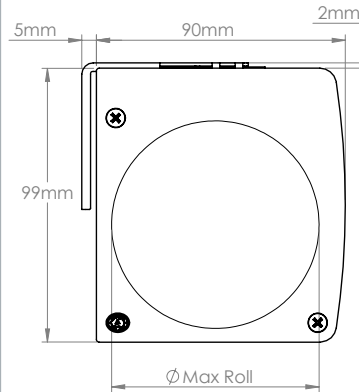
Match the pelmet extrusion to fabric.

ZEBRA SHADE

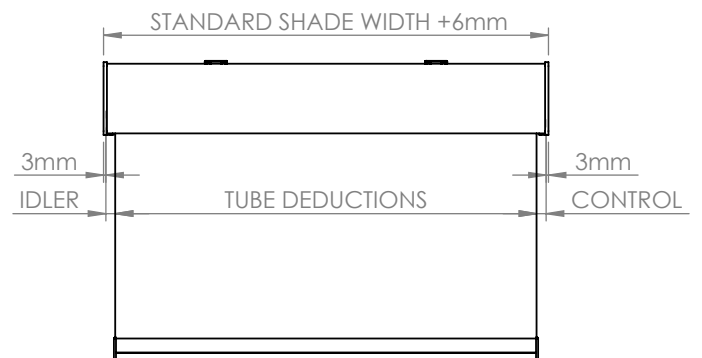


Compatible with Zebra fabric.

TECHNICAL DATA



FABRIC HANGING	MAX ROLL
FRONT	65mm
BACK	75mm



CASSETTE FASCIA 90

FEATURES & BENEFITS

- Quick install with slimline mounting bracket for Top & Face installations.
- Install directly through cassette (no brackets used) to ceiling or wall to minimise light bleed.
- Optional dim-OUT side channels for an improved light blockout solution.
- Contemporary round or square headbox options.



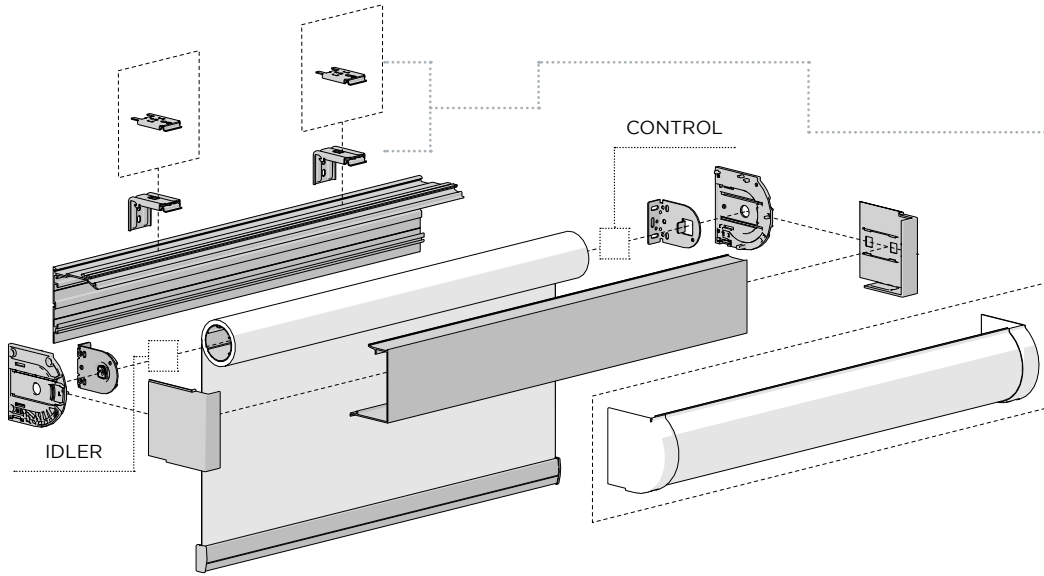
MOUNTING SOLUTIONS



COLOUR RANGE

- black
- pure white
- sandstone
- silver grey

WEBPAGE LINK



10 YEAR WARRANTY

HARDWARE MOUNTING

- TOP
- UNIVERSAL
- HEADBOX
- SQUARE
- ROUND
- CONTROLS

BRACKETS

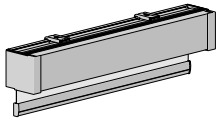
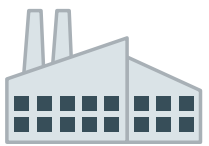
TUBES

BOTTOM RAILS

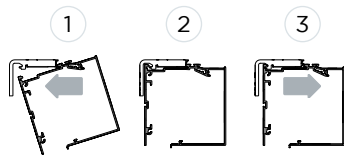
SYSTEM UPGRADES

SYSTEM FEATURES

PREFABRICATE + QUICK INSTALL



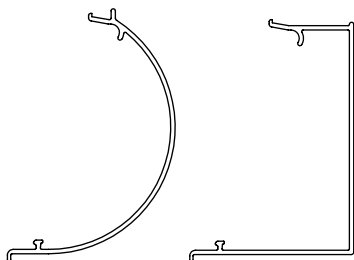
Simplified Off-site Assembly.



Universal OR Top Fix Brackets. Simple push, align and release.

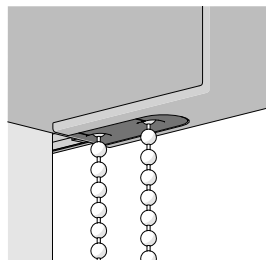
Optional: Fix cassette directly to ceiling for minimal light bleed.

EXTRUSION OPTIONS



Square & Round options available.

CHAIN GUIDE



Unique chain guide for smooth operation.

TECHNICAL DATA

