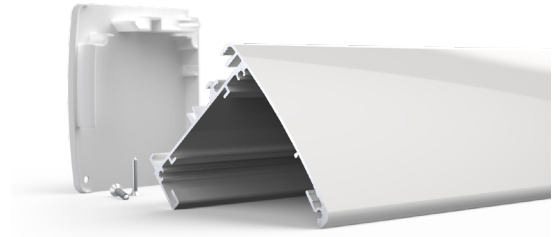


PELMET 95

FEATURES & BENEFITS

- Spring loaded mounting brackets in Universal or Top/Face configurations.
- Colour coded end caps for optimised aesthetics.
- Fabric wrapping is optional.
- Zebra shade is optional.
- Screw feature to ensure secure hold of roller shade brackets to P95 extrusion.



MOUNTING SOLUTIONS

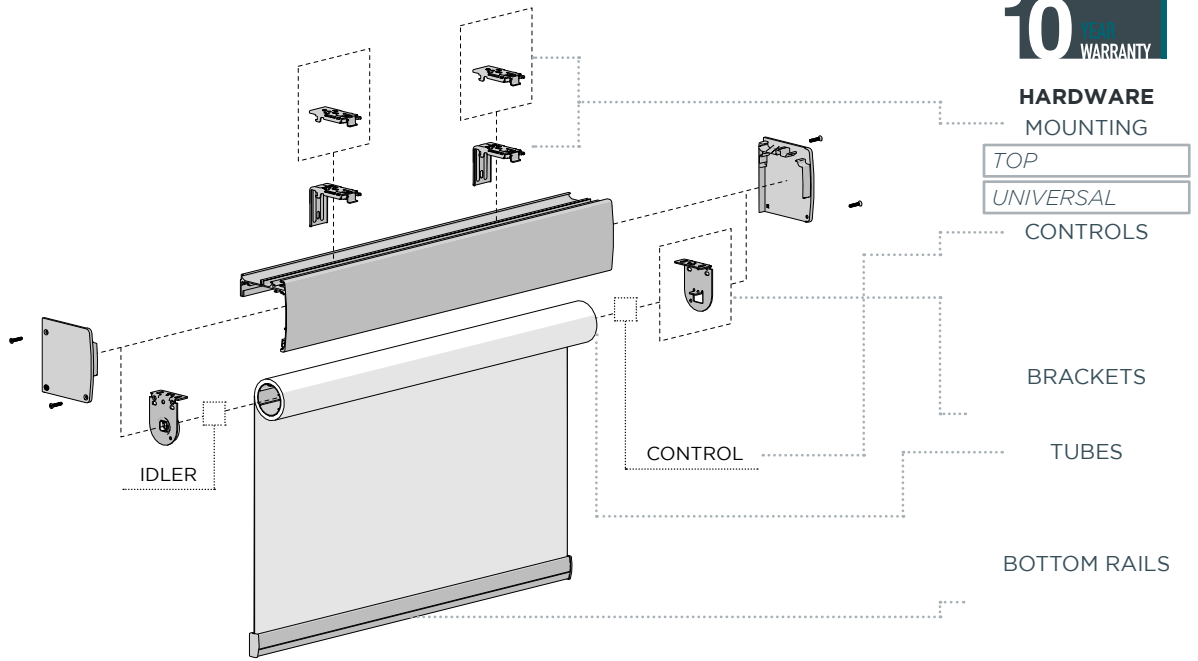


COLOUR RANGE

- black
- pure white
- sandstone
- silver grey

WEBPAGE LINK

SYSTEM UPGRADES



KEY SYSTEM FEATURES

SECURE ASSEMBLY

Lock brackets in place.

EASE OF INSTALLATION

Universal OR Top Fix.
Simple push, align and release.

FABRIC WRAP

Match the pelmet extrusion to fabric.

ZEBRA SHADE

Compatible with Zebra fabric.

TECHNICAL DATA

FABRIC HANGING	MAX ROLL
FRONT	65mm
BACK	75mm

STANDARD SHADE WIDTH +6mm

3mm IDLER TUBE DEDUCTIONS 3mm CONTROL