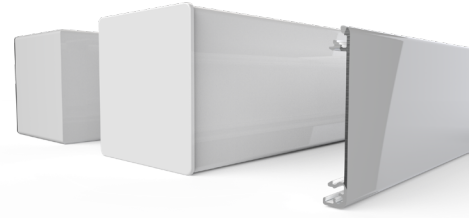


# FRS VALANCE

## FEATURES & BENEFITS

- Decorative cover.
- Available in 100mm & 120mm extrusions.
- Universal mounting.
- Snap-lock attachment of Valance.
- Recess application free of end caps.



## MOUNTING SOLUTIONS

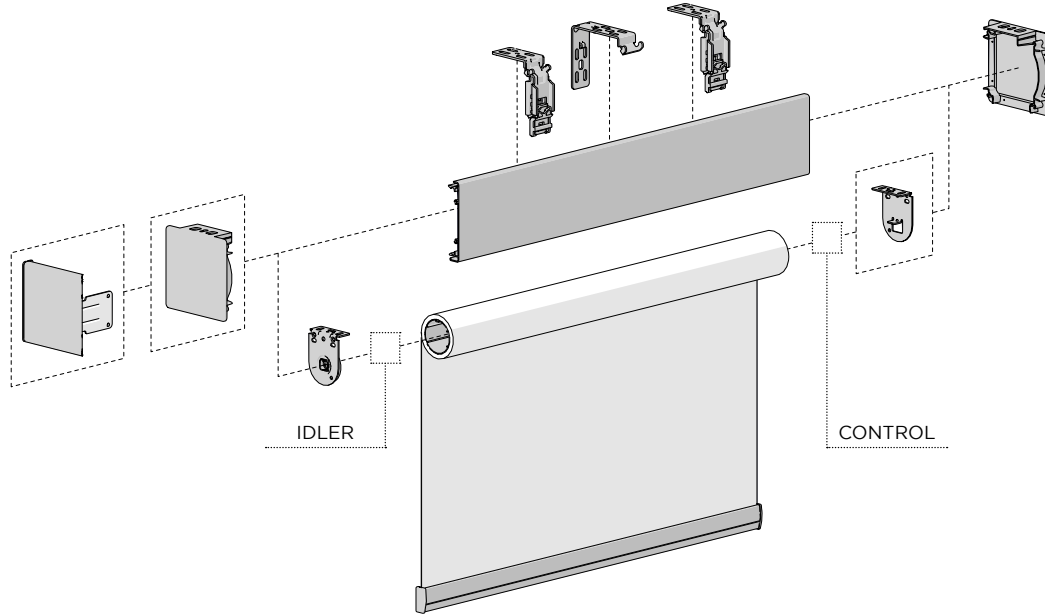


**COLOUR RANGE**

- black
- pure white
- sandstone
- silver grey

**WEBPAGE LINK**

## SYSTEM UPGRADES



**10** YEAR WARRANTY

- HARDWARE MOUNTING**
- SNAP LOCK
  - FRS VALANCE
  - FRS 100
  - FRS 120
  - CONTROLS

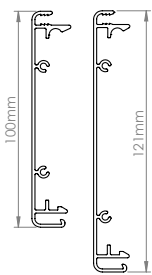
BRACKETS

TUBES

BOTTOM RAILS

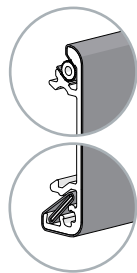
## SYSTEM FEATURES

### EXTRUSION OPTIONS



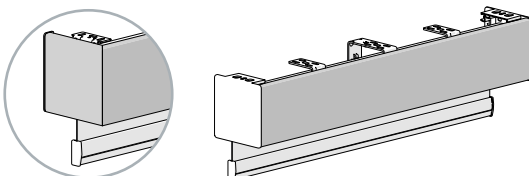
100 & 120

### FABRIC WRAP



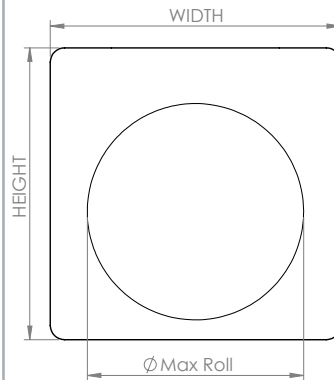
Round & Flat Spline

### FRS CORNER RETURN



The FRS extrusion can be used as end caps for a uniform look.

## TECHNICAL DATA



FRS	WIDTH	HEIGHT	MAX ROLL
100	102mm	103mm	76mm
120	123mm	124mm	92mm

