



Curtain System

INSTALLATION MANUAL

v2.0 | April 2024

CONTENTS

SECTION A ITEMS REQUIRED	01
CURTAIN ITEMS REQUIRED	01
SECTION B INSTALLATION	02
CEILING/ TOP FIX BRACKETS	02
SINGLE FACE FIX BRACKET	03
SECTION C MOTOR INSTALLATION	04
ATTACHING MOTOR TO DRIVE PULLEY	04
ATTACHING THE BATTERY OR AC MODULE TO THE MOTOR	05

DISCLAIMER

INTRODUCTION

This Product Specifications manual for CURTAIN SYSTEM has been produced by Rollease Acmeda to supply the necessary information for the safe and correct installation of CURTAIN SYSTEM.

DISCLAIMER

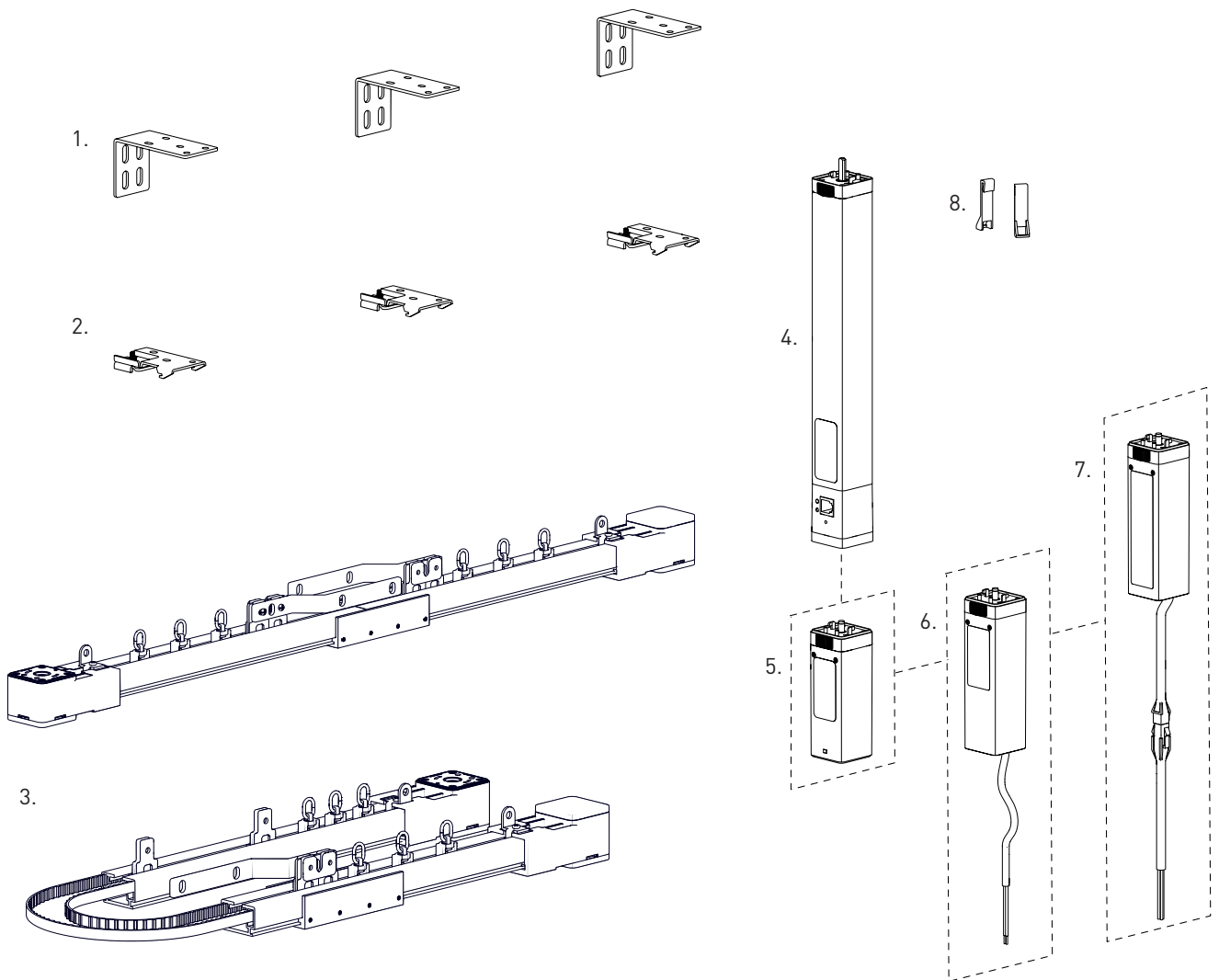
Rollease Acmeda has used reasonable care in preparing the information included in this document, but makes no representations or warranties as to the completeness or accuracy of the information. Information is supplied upon the condition that the persons receiving the information will make their own determination as to its suitability for their purposes prior to use. Rollease Acmeda assumes no liability whatsoever for any damages incurred by you resulting from errors in or omissions from the information included herein. Rollease Acmeda reserves the right to make changes without further notice to any products to improve reliability, function or design.

COPYRIGHT

COPYRIGHT © ROLLEASE ACMEDA

All rights are reserved. No part of this document may be reproduced or utilised in any means, by any means, electronic or mechanical including photocopying, recordings, or by any information storage or retrieval system, without the express permission from Rollease Acmeda.

CURTAIN ITEMS REQUIRED

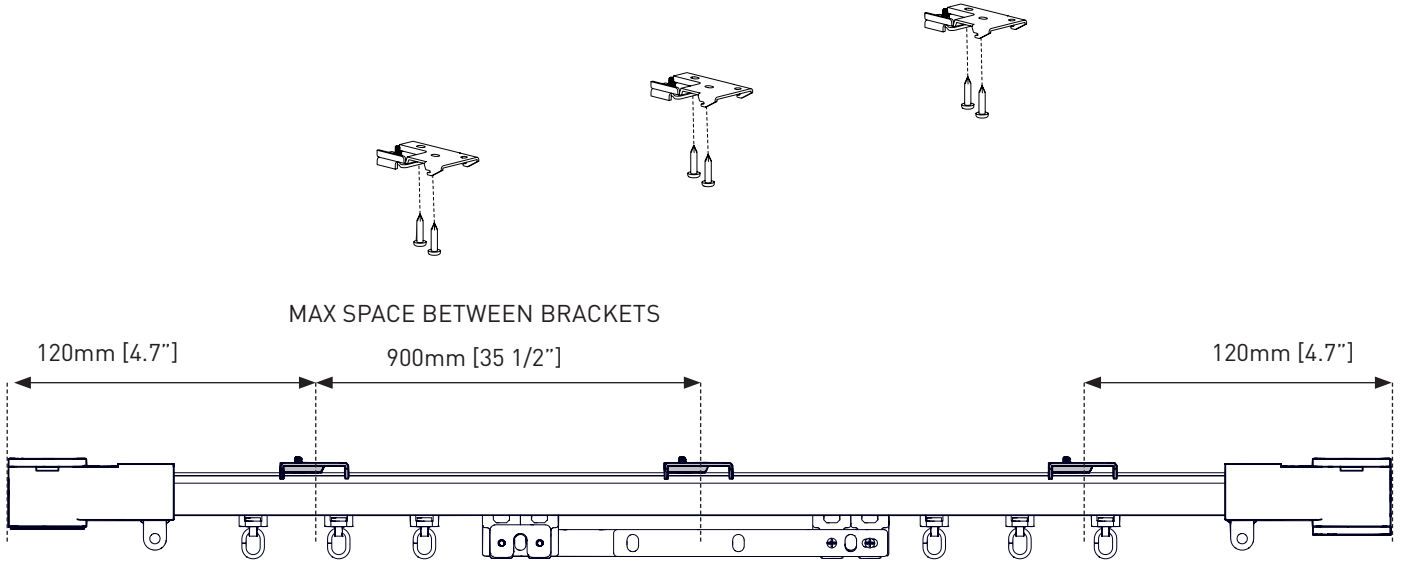


SYSTEM INDEX:

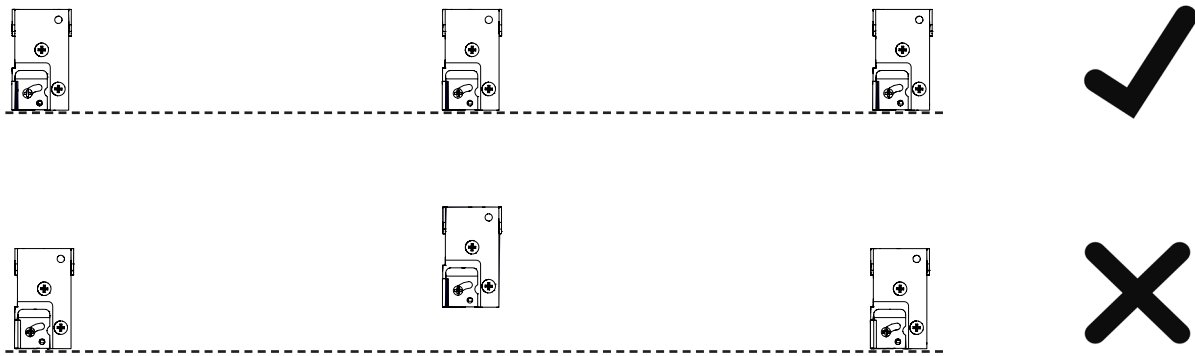
1. Single Face Fix Brackets
2. Ceiling Brackets
3. Drape Track (Pre-Assembled)
4. Versa Drapery Motor
5. Versa Battery Module
6. Versa Module 6.1m [20'] Cord (120V) - US ONLY
7. Versa Module 2.5m [8.2'] Cord (240V) - AU ONLY
8. End Hooks

CEILING/ TOP FIX BRACKETS

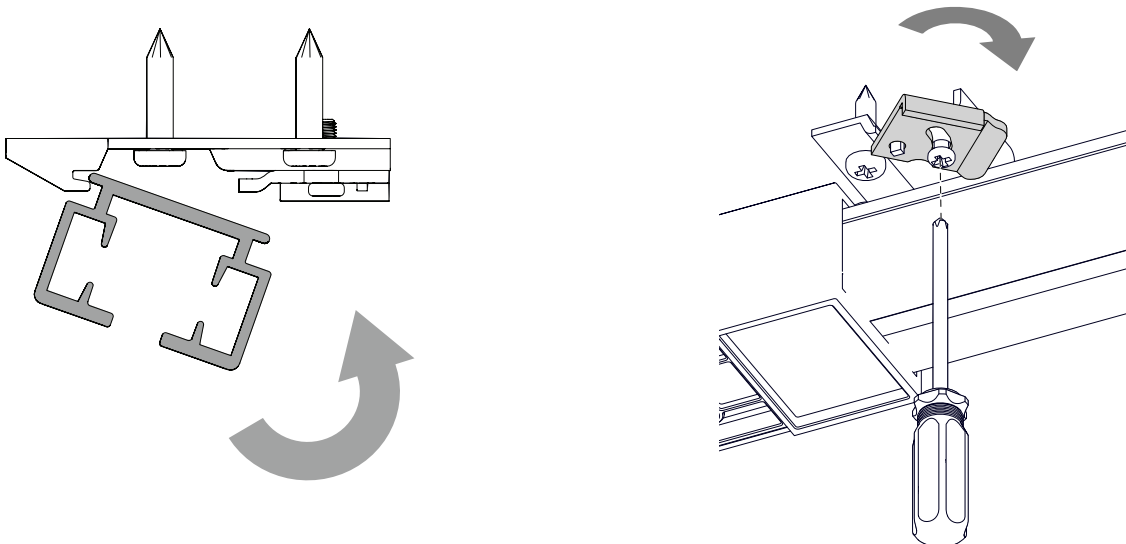
STEP 1 - ATTACH CEILING BRACKETS TO CEILING



STEP 2 - ENSURE ALIGNMENT IS STRAIGHT

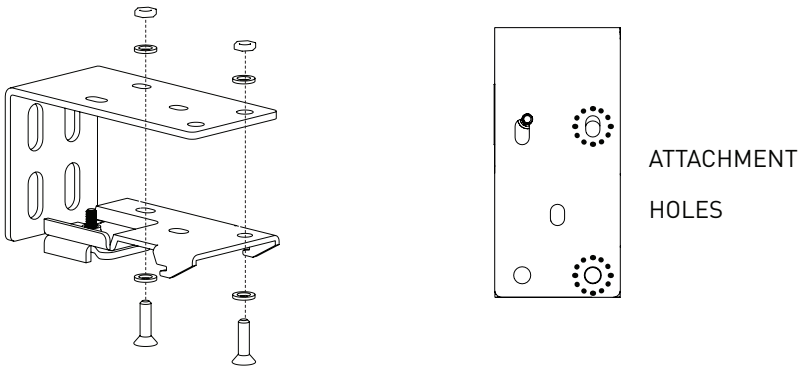


STEP 3 - ATTACH DRAPE TRACK (ASSEMBLED) TO CEILING BRACKETS AND SECURE

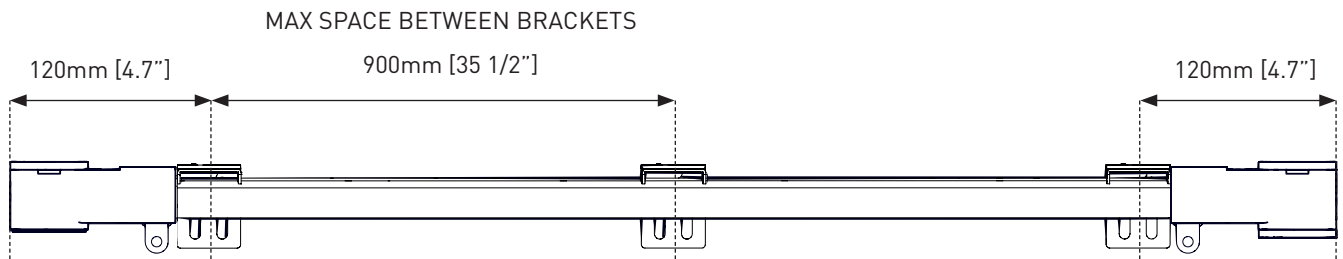
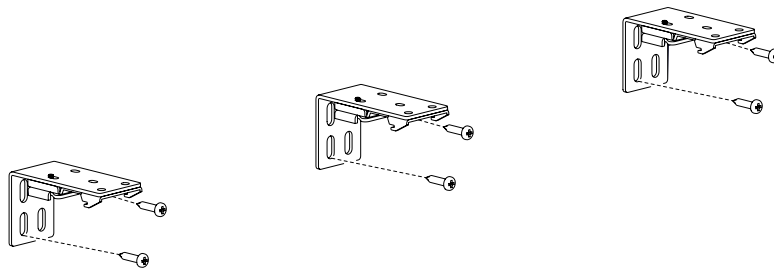


SINGLE FACE FIX BRACKET

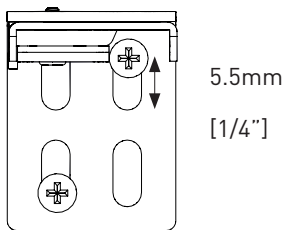
STEP 1 - ATTACH CEILING BRACKET TO SINGLE FACE FIX BRACKET



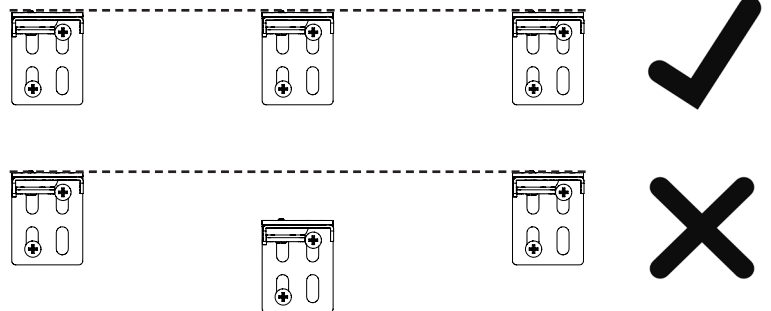
STEP 2 - ATTACH ASSEMBLED BRACKET TO WALL



STEP 3 - ADJUST AS REQUIRED

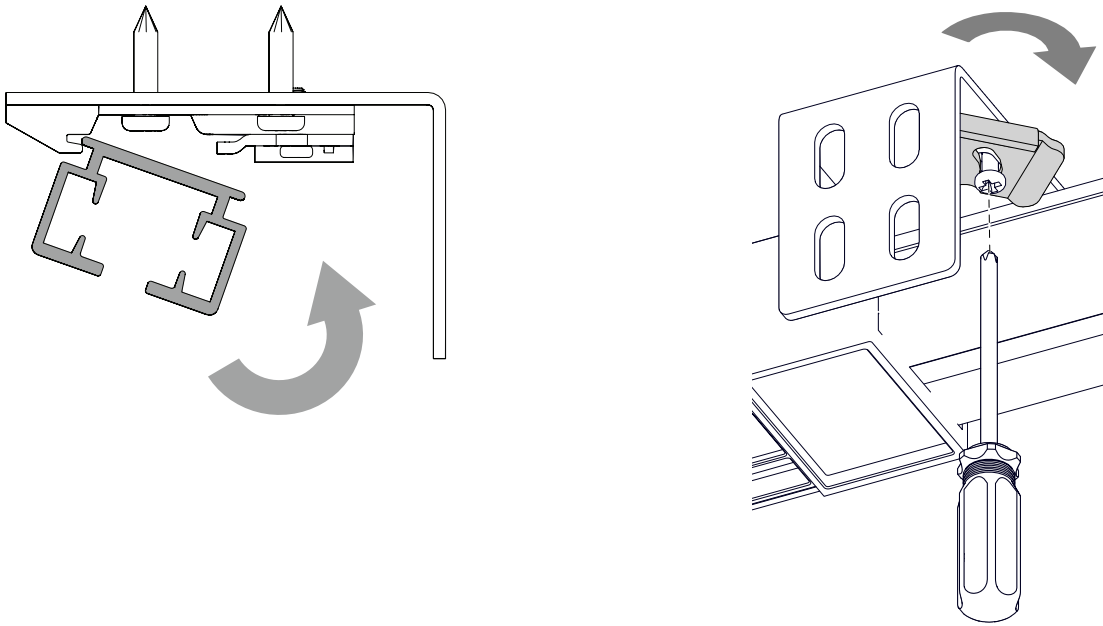


STEP 4 - ENSURE STRAIGHT ALIGNMENT



SINGLE FACE FIX BRACKET

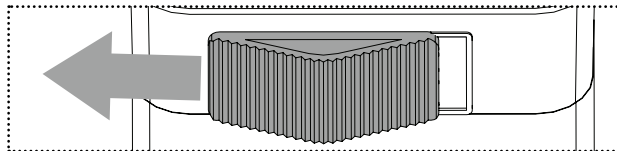
STEP 5 - ATTACH DRAPE TRACK (ASSEMBLED) TO *CEILING BRACKET* AND SECURE



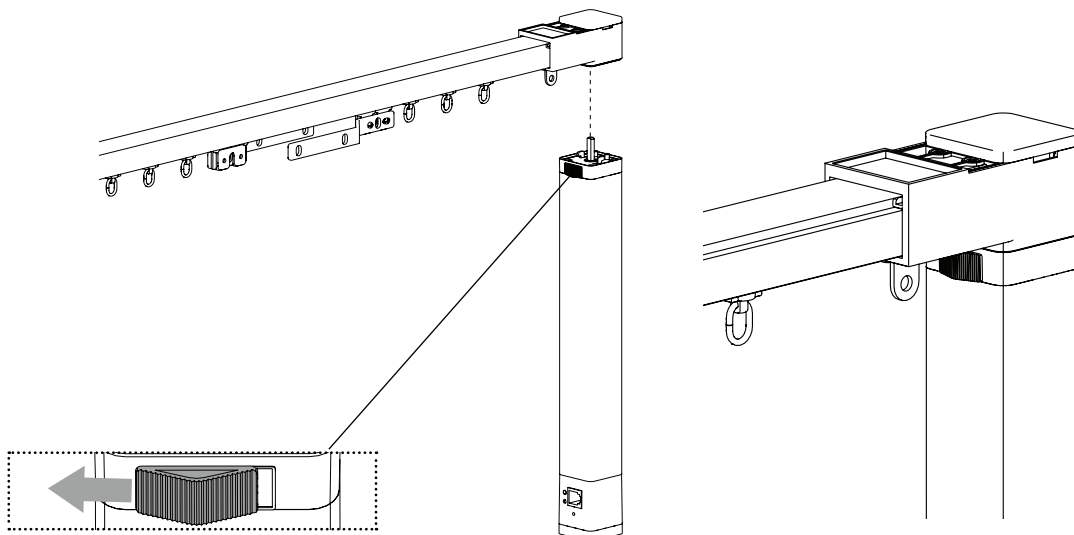
SECTION C | MOTOR INSTALLATION

ATTACHING MOTOR TO DRIVE PULLEY

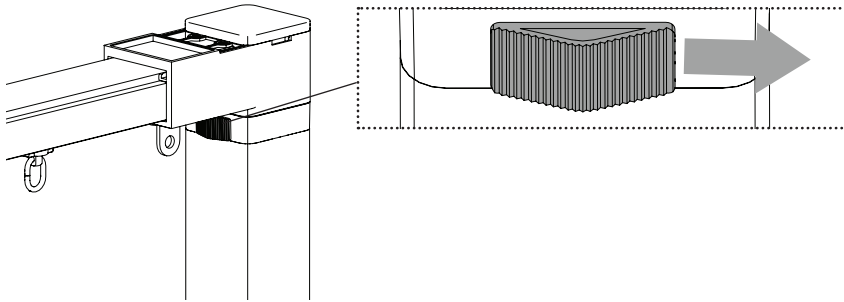
STEP 1 - SLIDE THE LOCK BUTTON FULLY LEFT AGAINST THE SPRING PRESSURE FORCE



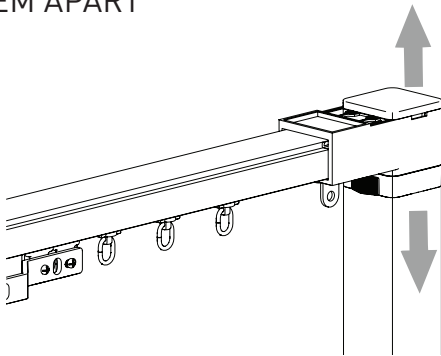
STEP 2 - ALIGN AND ENGAGE THE MOTOR WITH THE DRIVE PULLEY AS SHOWN.



STEP 3 – PUSH TO LOCK BUTTON FULLY TO THE RIGHT TO ENSURE THE TWO ARE SECURELY ATTACHED.

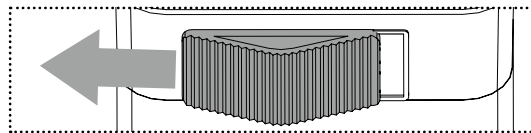


STEP 4 – CHECK THE MOTOR AND PULLEY ARE SECURELY ATTACHED BY TRYING TO PULL THEM APART

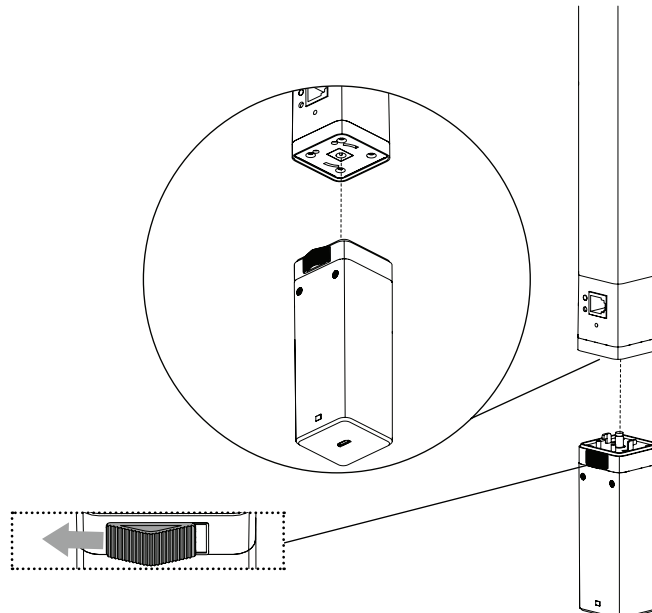


ATTACHING THE BATTERY OR AC MODULE TO THE MOTOR

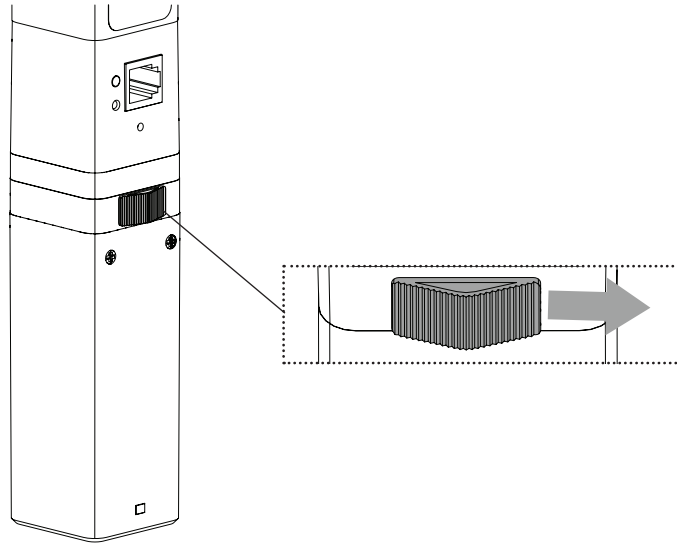
STEP 1 – SLIDE THE LOCK BUTTON FULLY LEFT AGAINST THE SPRING PRESSURE FORCE



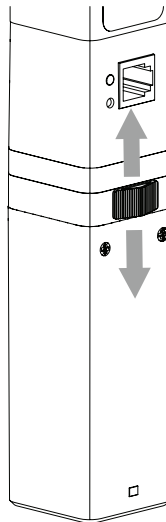
STEP 2 – ALIGN AND ENGAGE THE BATTERY OR AC MODULE WITH THE MOTOR AS SHOWN



STEP 3 – PUSH TO LOCK BUTTON FULLY TO THE RIGHT TO ENSURE THEY TWO ARE SECURELY ATTACHED.



STEP 4 – CHECK THE MOTOR AND BATTERY OR AC MODULE ARE SECURELY ATTACHED BY TRYING TO PULL THEM APART



STEP 5 – INSTALLATION COMPLETE

