

OVERVIEW: SL30 & G400 GALAXY CHAIN CONTROL SYSTEM

The Skyline system is the flagship of the Rollease product line. The Skyline Large G400 Galaxy Chain Control offers a sleek rounded chain guard profiles which is ideal for both residential & commercial applications whilst featuring Velvetrol Technology and our limited lifetime warranty. The premium Skyline G400 Galaxy Clutch builds on the Rollease flagship line by featuring an advanced geared patented technology. The planetary gearing mechanism enhances the lifting capacity by up to three times all whilst retaining minimal user effort.

AESTHETICAL FEATURES

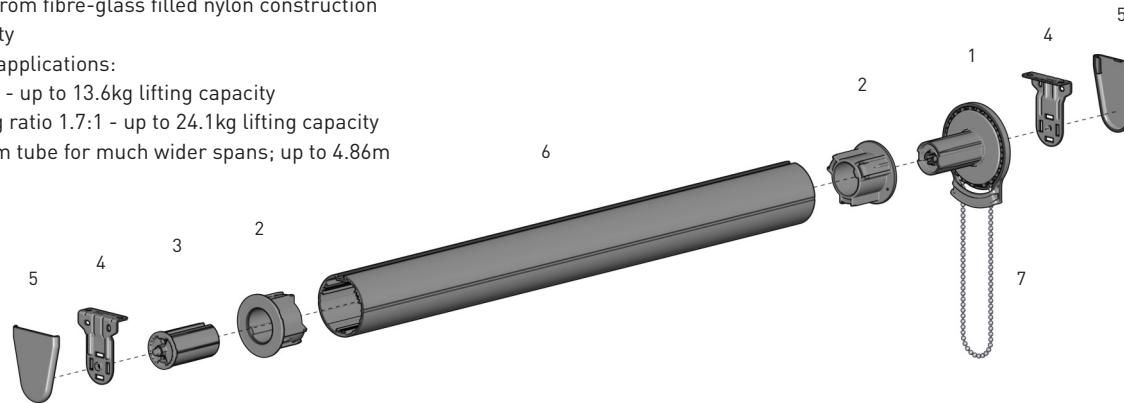
- Sleek, rounded chain guard design
- Reduced light gaps
- Colour coded bracket covers

ASSEMBLY / PRODUCTION FEATURES

- Greater flexibility in installation with spring loaded pin end
- Universal brackets
- Hooked clutches for a secure application
- Easy chain attachment

FUNCTIONAL BENEFITS

- Smooth operation
- Patented Velvetrol internal spring arrangement
- Guarded chain cover for minimal noise
- Long lasting durability achieved from fibre-glass filled nylon construction
- Back by Limited Lifetime Warranty
- 2 Clutch options to suit different applications:
 - SL30 Skyline 38mm (1-1/2") - up to 13.6kg lifting capacity
 - G400 38mm (1-1/2") gearing ratio 1.7:1 - up to 24.1kg lifting capacity
- Spring Assist LH & RH with 83mm tube for much wider spans; up to 4.86m



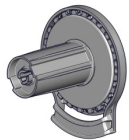
SYSTEM INDEX

- | | |
|---|---|
| 1 | Rollease Clutch - 38mm
SL30H53xx SL30
RGAL400Hx G400 Galaxy
RGALSAH36#xx G400 Galaxy Spring Assist |
| 2 | Skyline Adaptor - 50/63mm
RA2#xx |
| 3 | Skyline Heavy Duty Pin End - 38mm
SLPEHD53xx |
| 4 | Standard Bracket - 50p
SLB680Rxx |
| 5 | Standard Bracket Cover - 50p
SLBC680xx |
| 6 | Rollease Aluminium Tube - 50/63/83mm
RTEA#T16 |
| 7 | Rollease Chain - 50-51BPF
RB545Mxx - Metal
RBC6MMxx - Plastic |

= size
xx = colour / finish

PRODUCT OPTIONS

SL30 CLUTCH | 38MM (1 1/2")



SPRING ASSIST CLUTCH G400 GALAXY | 38MM (1 1/2")



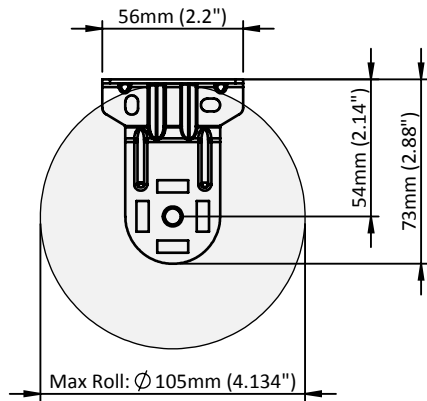
COLOUR RANGE



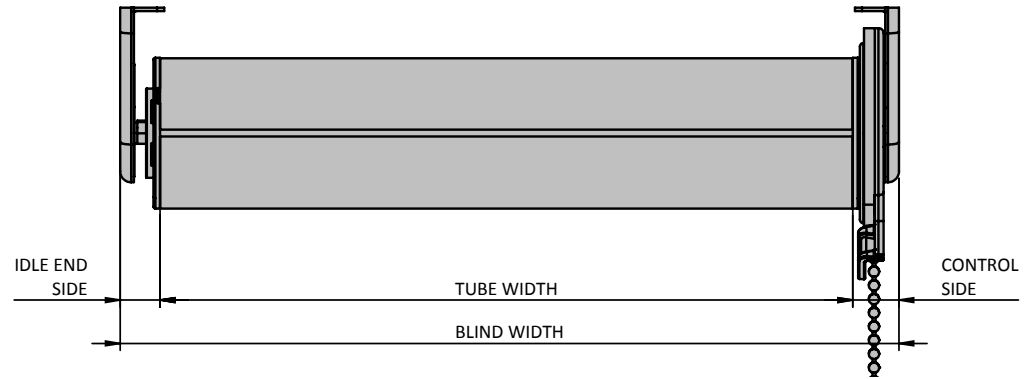
White (W) Black (BK)

SPECIFICATIONS: SL30 & G400 GALAXY CHAIN CONTROL SYSTEM

MAX ROLL



DEDUCTION

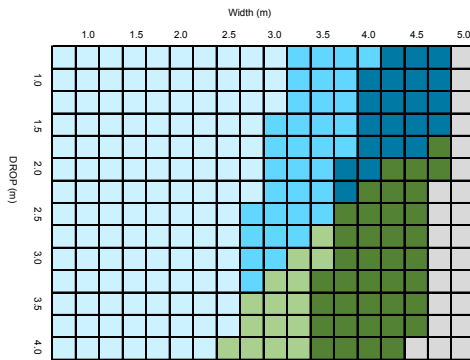


	IDLE END SIDE	CONTROL SIDE	OVERALL DEDUCTION
		SL30/G400	SL30/G400
Standard Bracket - with covers	12mm [0.472"]	18mm [0.709"]	30mm [1.181"]
Standard Bracket - with out covers	10mm [0.394"]	17mm [0.669"]	27mm [1.063"]

ADAPTER NOTE: Add additional 1.5mm (0.063") to the overall deduction per adapter (eg. 30mm + 1.5mm + 1.5mm = 33mm)

SYSTEM CAPACITY

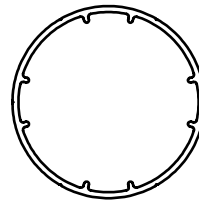
Based on Recommended User Effort



CONTROL	TUBE
SL30 Clutch / G400	RTEA5, RTEA6, RTEA7
	RTEA6, RTEA7
	RTEA7
G400	RTEA6, RTEA7
	RTEA7
OUTSIDE SPECIFICATIONS	

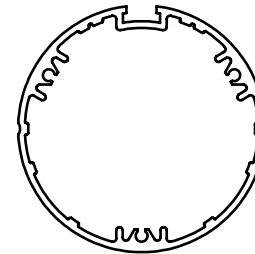
Chart based on a 50mm (2.0") Rollease Tube, 420gsm fabric weight, 0.6mm fabric thickness & External Hem Bar

TUBE SPECS



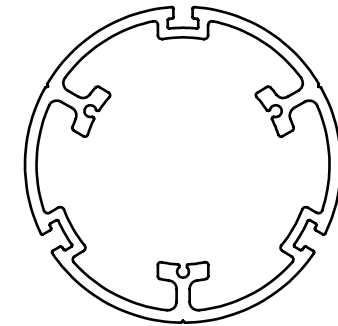
50mm (2.0") ROLLEASE Tube

CODE: RTEA5T16
O.D: 50.8mm (2.0")
Length: 5.8m (19')
Weight: 0.74kg/m (1.63lbs)



63mm (2-1/2") ROLLEASE Tube

CODE: RTEA6T16
O.D: 65.2mm (2.567")
Length: 5.8m (19')
Weight: 1.31kg/m (2.89lbs)



83mm (3-1/4") ROLLEASE Tube

CODE: RTEA7T16
O.D: 83.1mm (3.272")
Length: 5.8m (19')
Weight: 3.08kg/m (6.79lbs)